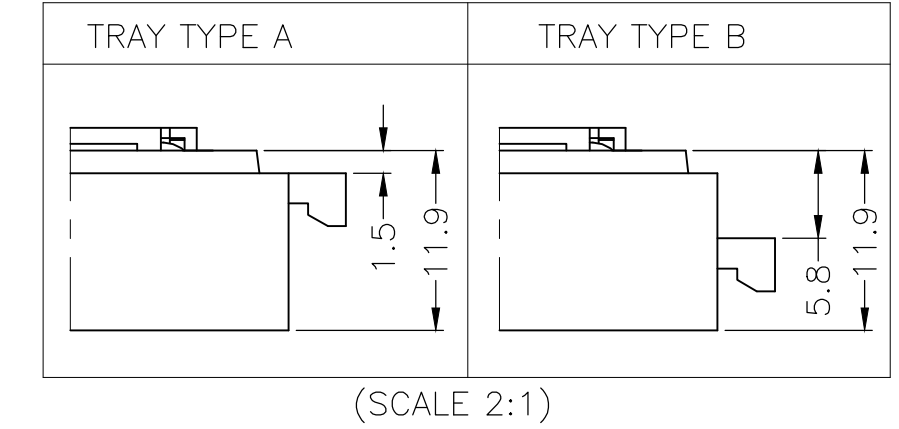
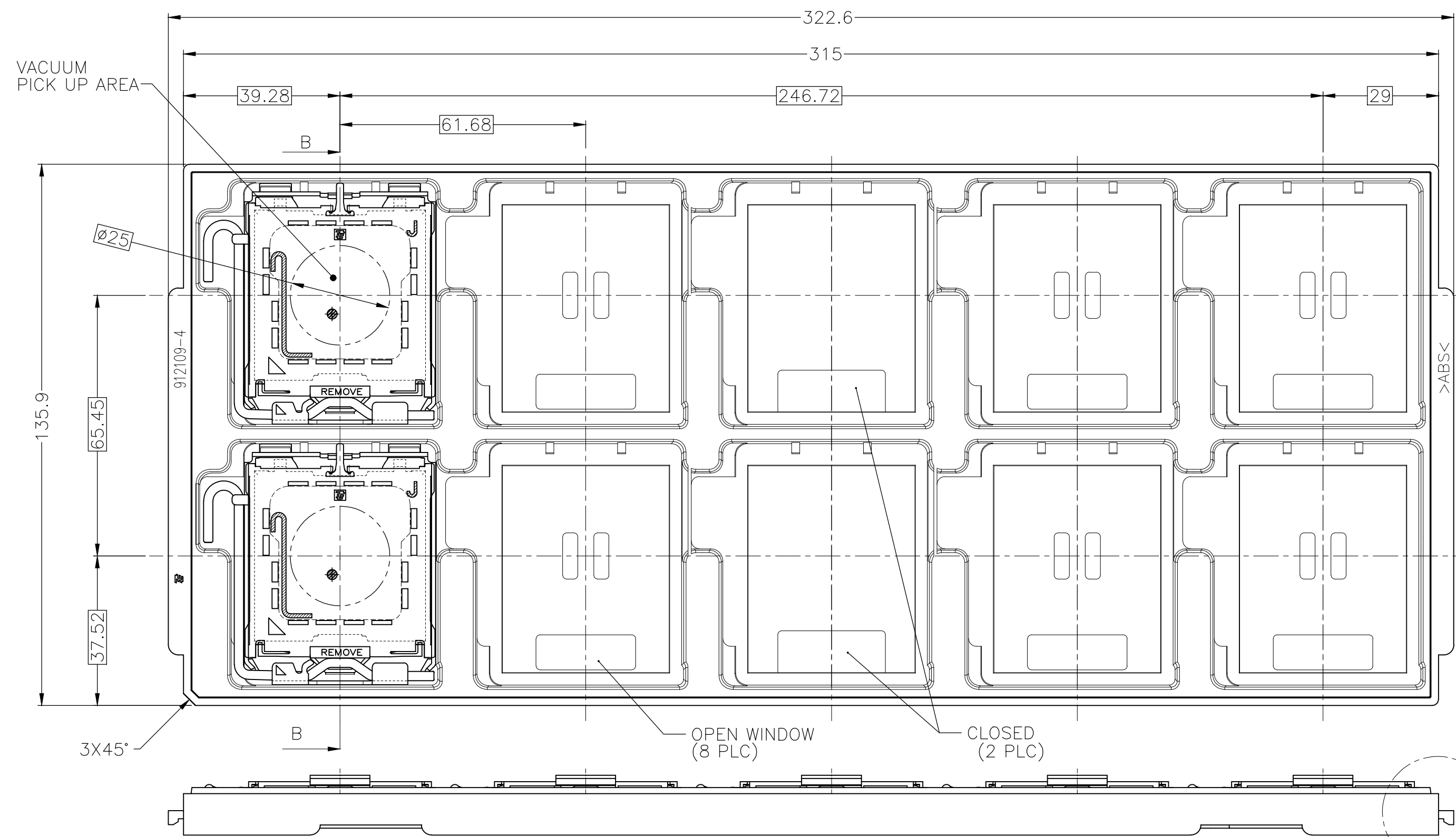


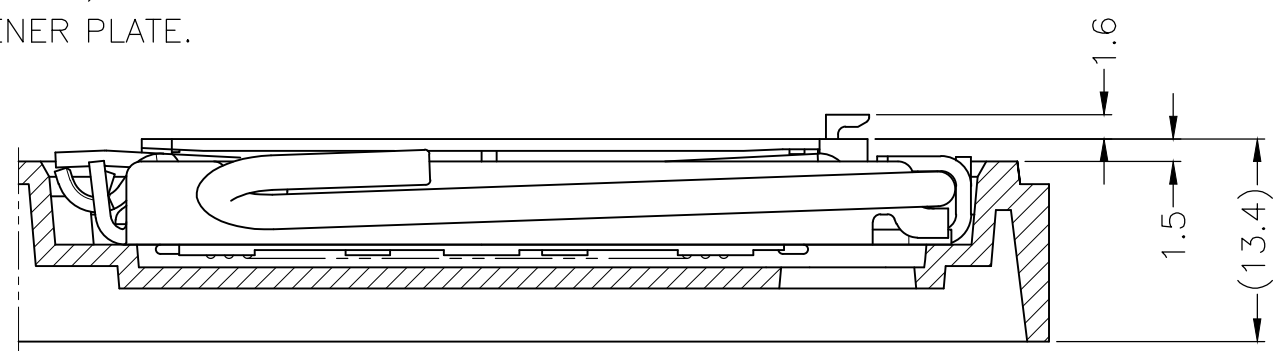
THIS DRAWING IS UNPUBLISHED. RELEASED FOR PUBLICATION AUG '18  
 © COPYRIGHT 2004 BY TYCO ELECTRONICS CORPORATION. ALL RIGHTS RESERVED.

LOC	DIST	REVISIONS					
		P	LTR	DESCRIPTION	DATE	DWN	APVD
J	-	L2		REVISED PER ECR-17-013462	03JUN2018	B.L	S.L



1. MATERIAL
- ① HOUSING : HIGH TEMP, THERMO-PLASTIC, UL94V-0, BLACK
  - ② CONTACT : COPPER ALLOY  
FINISH : Au PL. AT CONTACT AREA ON OVERALL OVER Ni UNDER PL. 0.00127 MIN.
  - ③ SOLDER BALL : Sn(63WT%)/Pb FOR LEADED, Sn/Ag/Cu FOR LEAD FREE PRODUCT.
  - ④ STIFFENER PLATE : STEEL
  - ⑤ LOAD PLATE : STEEL
  - ⑥ LEVER : STAINLESS STEEL
  - ⑦ CAP : HIGH TEMP. THERMO-PLASTIC, UL94V-0, BLACK
- △ INDICATED PRODUCT NAME "LGA771" TO LEADED SOLDER BALL PRODUCT, "LF-LGA771" TO LEAD FREE SOLDER BALL PRODUCT ON THE STIFFENER PLATE.
- △ INDICATED DATE CODE ON THE STIFFENER PLATE.
- △ THE CIRCLE SHOWS THE CENTER OF GRAVITY OF ASSEMBLY.
- △ MINIMUM OPEN ANGLE TO RELEASE.
- △ ALLOWABLE OPEN ANGLE.  
DON'T OPEN LOAD PLATE WITH FORCE FROM OPEN END.

DESCRIPTION	TRAY COLOR	TRAY TYPE	PART NO.	
SUPERSEDED BY 1-1747890-1	LEAD FREE SOLDER BALL	BLUE	B	1-1747890-3
SUPERSEDED BY 1747890-1	LEADED SOLDER BALL	BLACK	B	1747890-3
OBSOLETE	LEAD FREE SOLDER BALL (0.76um GOLD)	BLUE	B	1-1747890-2
OBSOLETE	LEADED SOLDER BALL (0.76um GOLD)	BLACK	B	1747890-2
OBSOLETE	LEAD FREE SOLDER BALL	BLUE	B	1-1747890-1
OBSOLETE	LEADED SOLDER BALL	BLACK	B	1747890-1



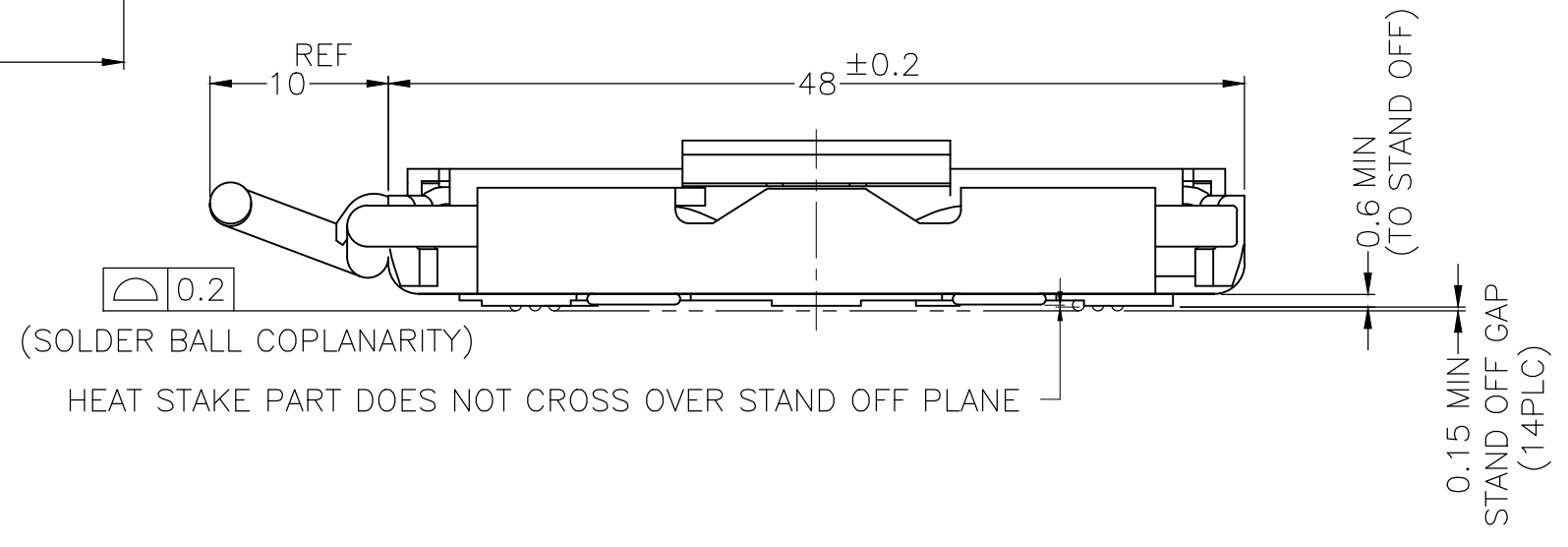
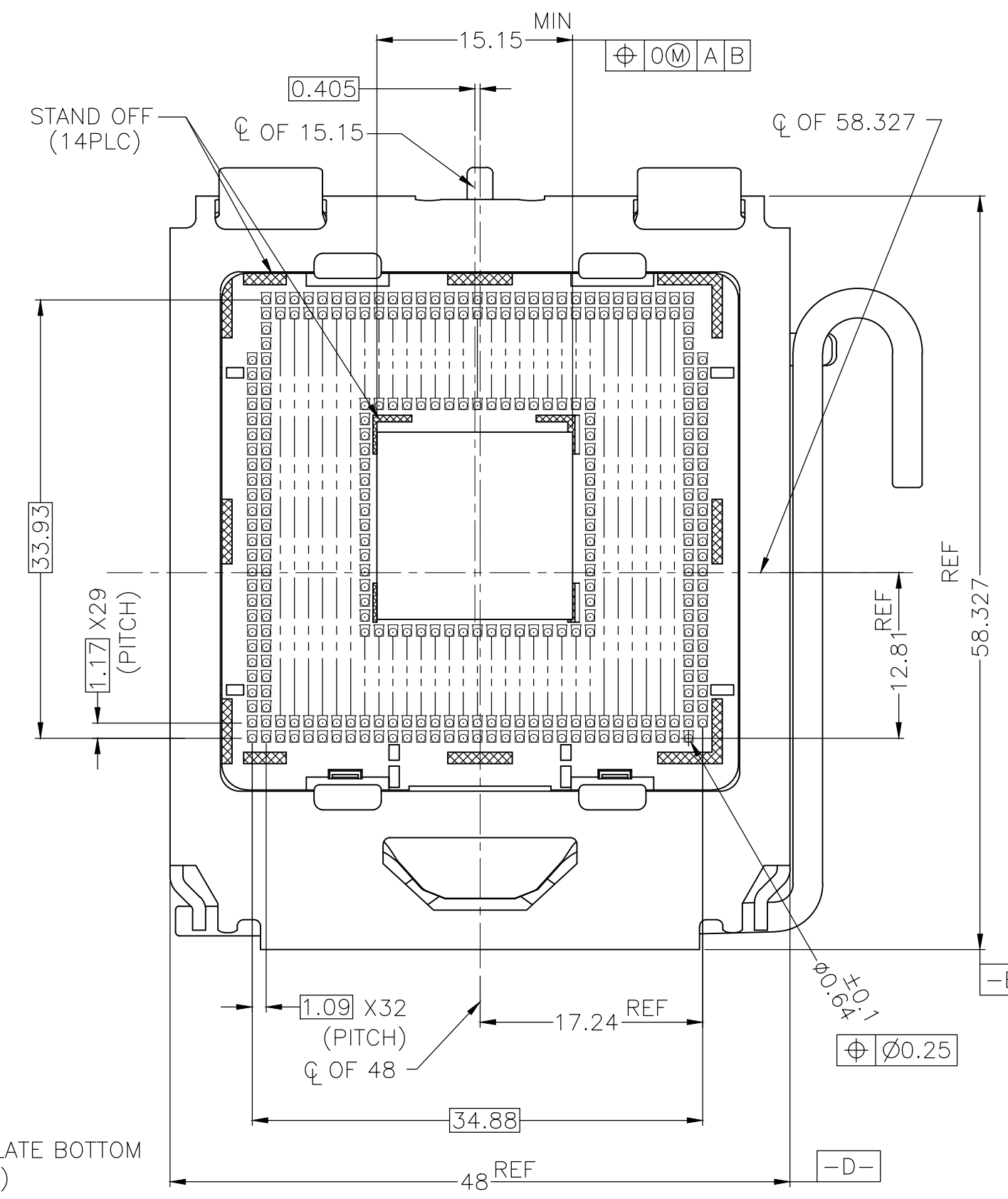
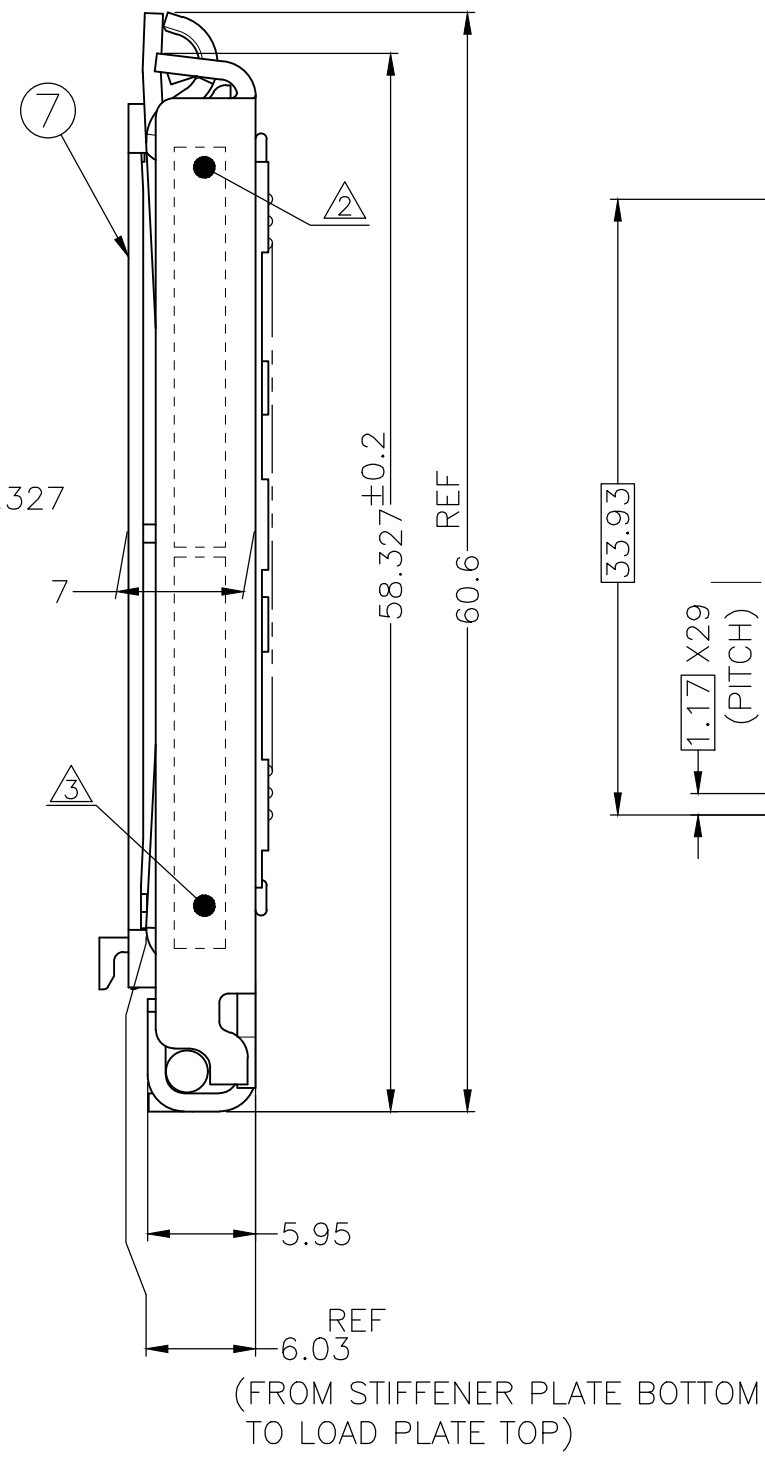
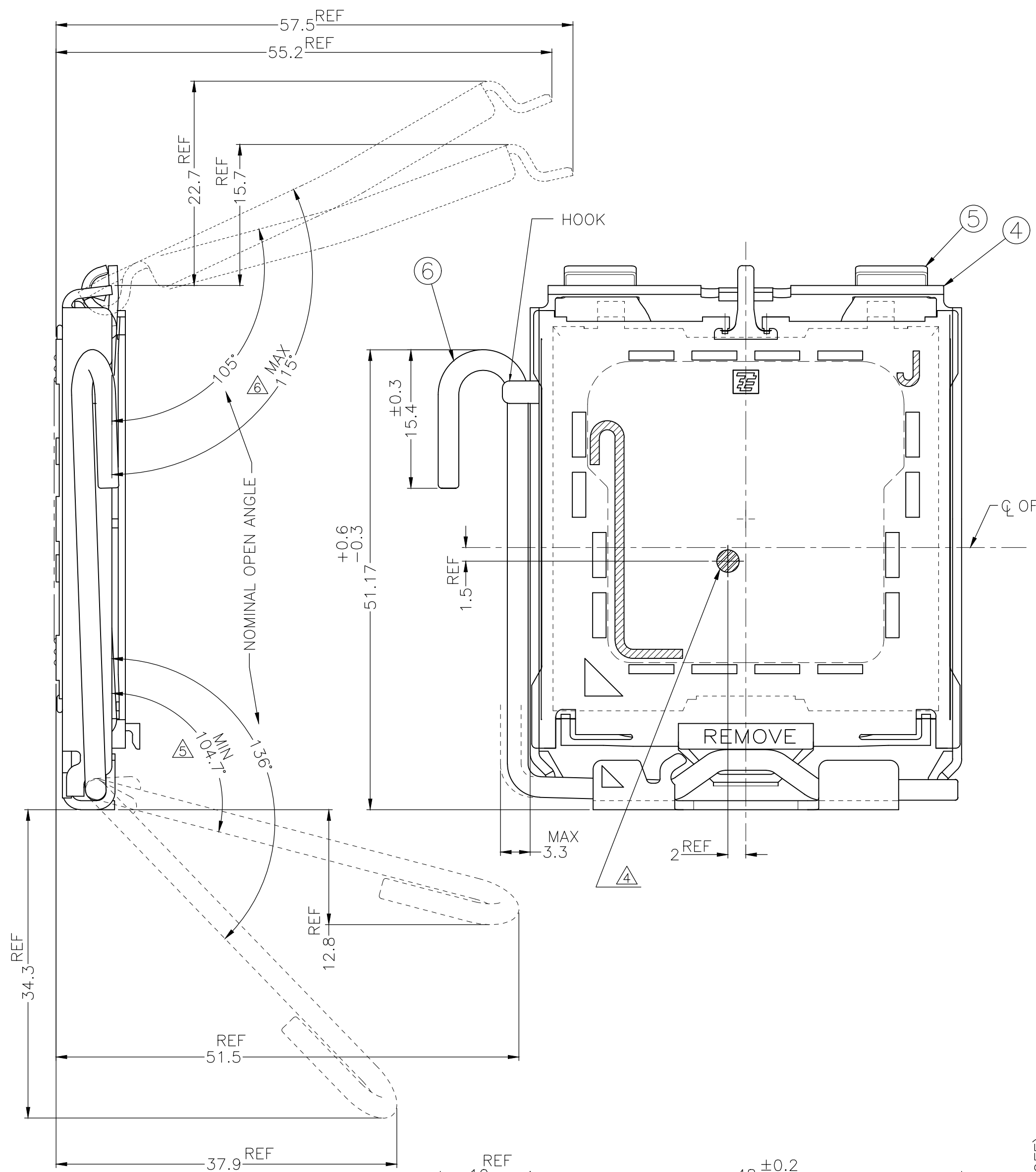
B-B (SCALE 2:1)  
(DSL ASS'Y ISN'T SECTIONED)

THIS DRAWING IS A CONTROLLED DOCUMENT.

DWN S.HASHIMOTO 18AUG04	Tyco Electronics AMP K.K. Kawasaki, Japan
CHK H.SHIRAI 18AUG04	
APVD H.SHIRAI 18AUG04	
PRODUCT SPEC	
APPLICATION SPEC	NAME DSL ASSY LGA771
114-5374	SIZE A2 CAGE CODE 00779 DRAWING NO C=1747890
WEIGHT 38.8 g	RESTRICTED TO -
CUSTOMER DRAWING	SCALE 1:1 SHEET 1 OF 3 REV L2

THIS DRAWING IS UNPUBLISHED. RELEASED FOR PUBLICATION  
 © COPYRIGHT BY TYCO ELECTRONICS CORPORATION. ALL RIGHTS RESERVED.

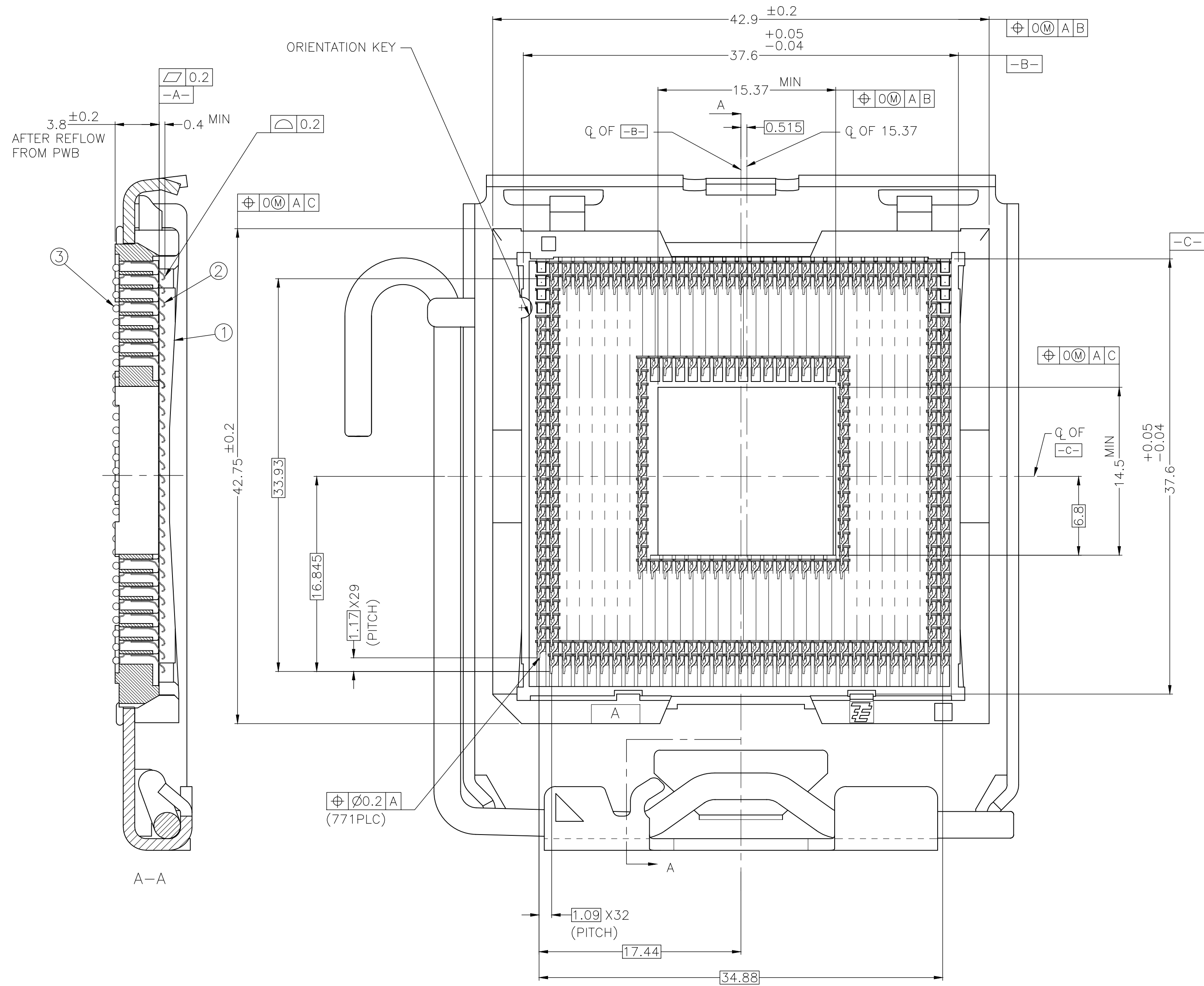
LOC		DIST		REVISIONS			
P	LTR	DESCRIPTION	DATE	DWN	APVD		
-	-	SEE SHEET 1	-	-	-		



THIS DRAWING IS A CONTROLLED DOCUMENT.		DWN	Tyco Electronics		Tyco Electronics AMP K.K. Kawasaki, Japan	
DIMENSIONS: MM		CHK	NAME		DSL ASS'Y LGA771	
TOLERANCES UNLESS OTHERWISE SPECIFIED:		APVD	PRODUCT SPEC		APPLICATION SPEC	
Ø PLC ±		WEIGHT	SIZE		CAGE CODE	
1 PLC ±		-		A2		00779
2 PLC ±		-		DRAWING NO		C=1747890
3 PLC ±		-		RESTRICTED TO		-
4 PLC ±		-		SCALE		NTS
ANGLES ± 3°		CUSTOMER DRAWING		SHEET		2 OF 3
FINISH		-		REV		L2

THIS DRAWING IS UNPUBLISHED. RELEASED FOR PUBLICATION  
 © COPYRIGHT BY TYCO ELECTRONICS CORPORATION. ALL RIGHTS RESERVED.

LOC		DIST		REVISIONS			
P	LTR	DESCRIPTION	DATE	DWN	APVD		
-	-	SEE SHEET 1	-	-	-		



THESE VIEWS DON'T SHOW LOAD PLATE AND CAP

THIS DRAWING IS A CONTROLLED DOCUMENT.		DWN	Tyco Electronics Tyco Electronics AMP K.K. Kawasaki, Japan	
DIMENSIONS: MM		CHK	NAME	
TOLERANCES UNLESS OTHERWISE SPECIFIED:		APVD	DSL ASS'Y LGA771	
∅ PLC ± 0.1		PRODUCT SPEC	SIZE	CAGE CODE
1 PLC ± 0.1		APPLICATION SPEC	A2	00779
2 PLC ± 0.1 ± 0.3		WEIGHT	DRAWING NO	RESTRICTED TO
3 PLC ± 0.1		-	C=1747890	-
4 PLC ± 0.1		MATERIAL	SCALE	SHEET
ANGLES ± 3°		FINISH	NTS	3 OF 3
CUSTOMER DRAWING		REV		L2