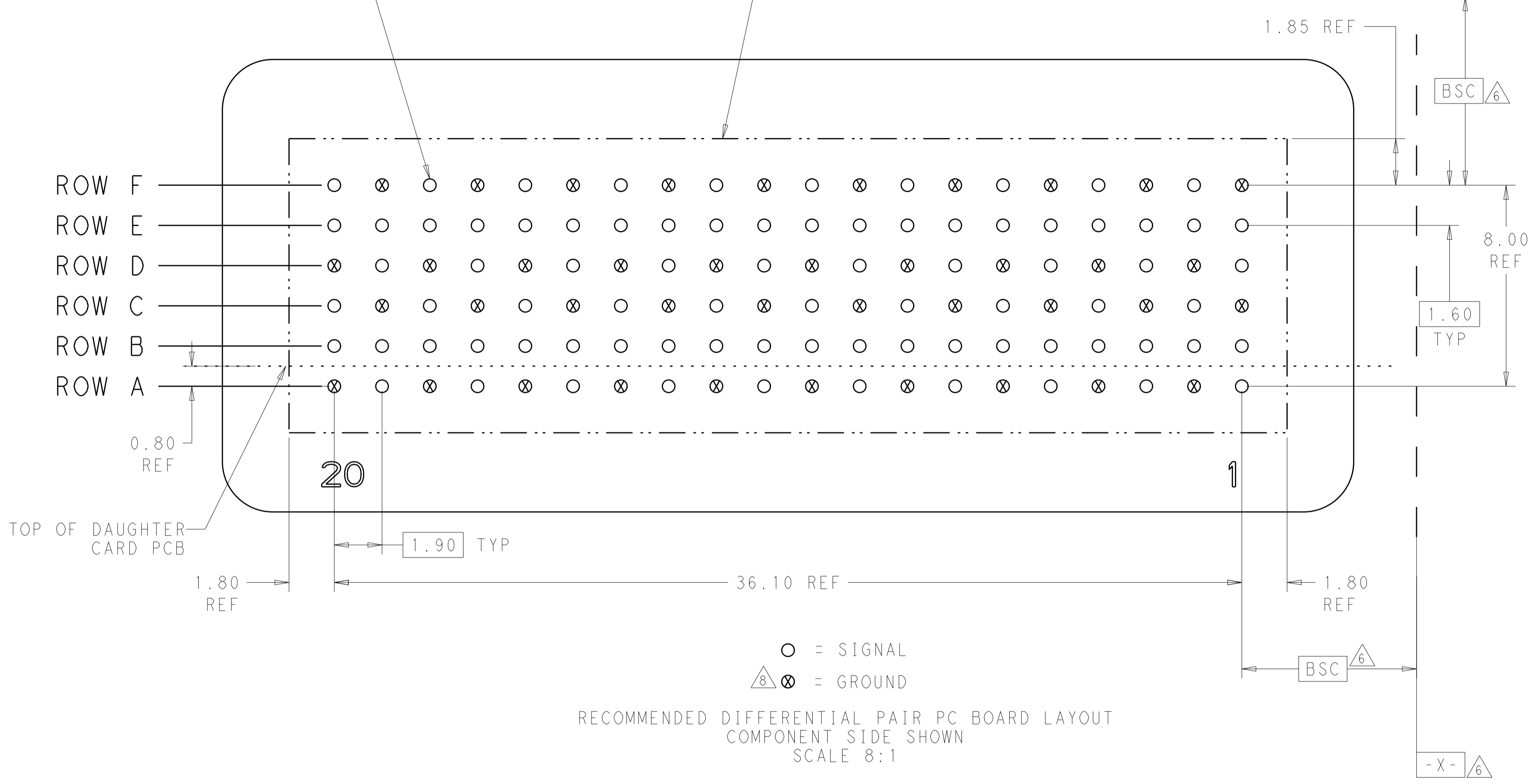
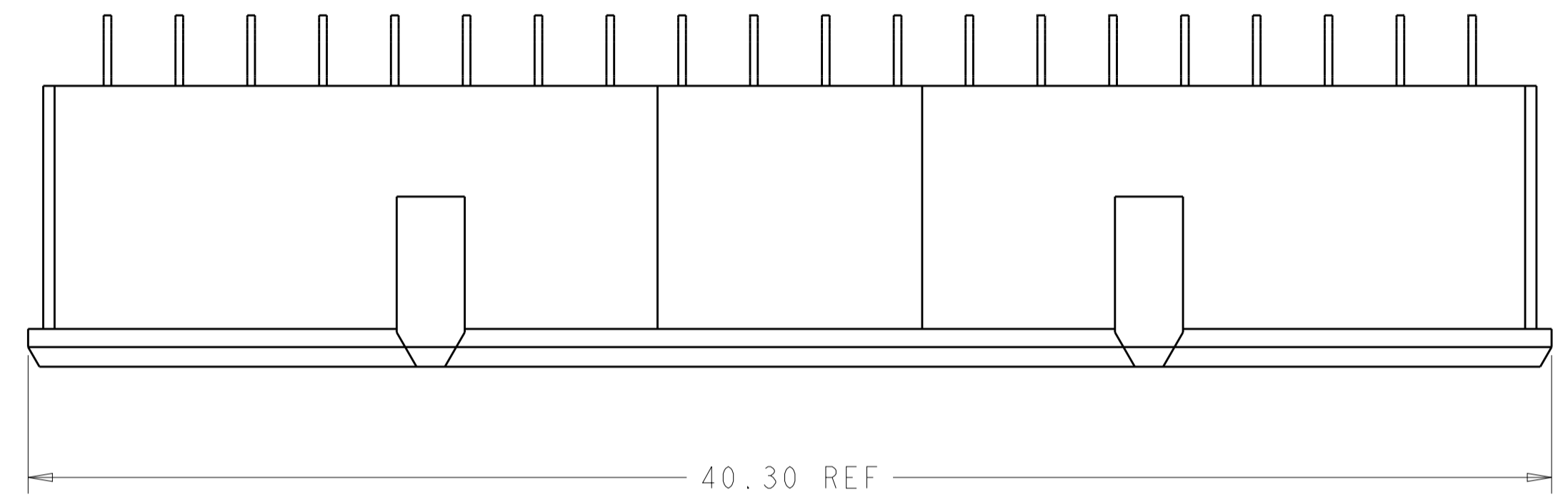


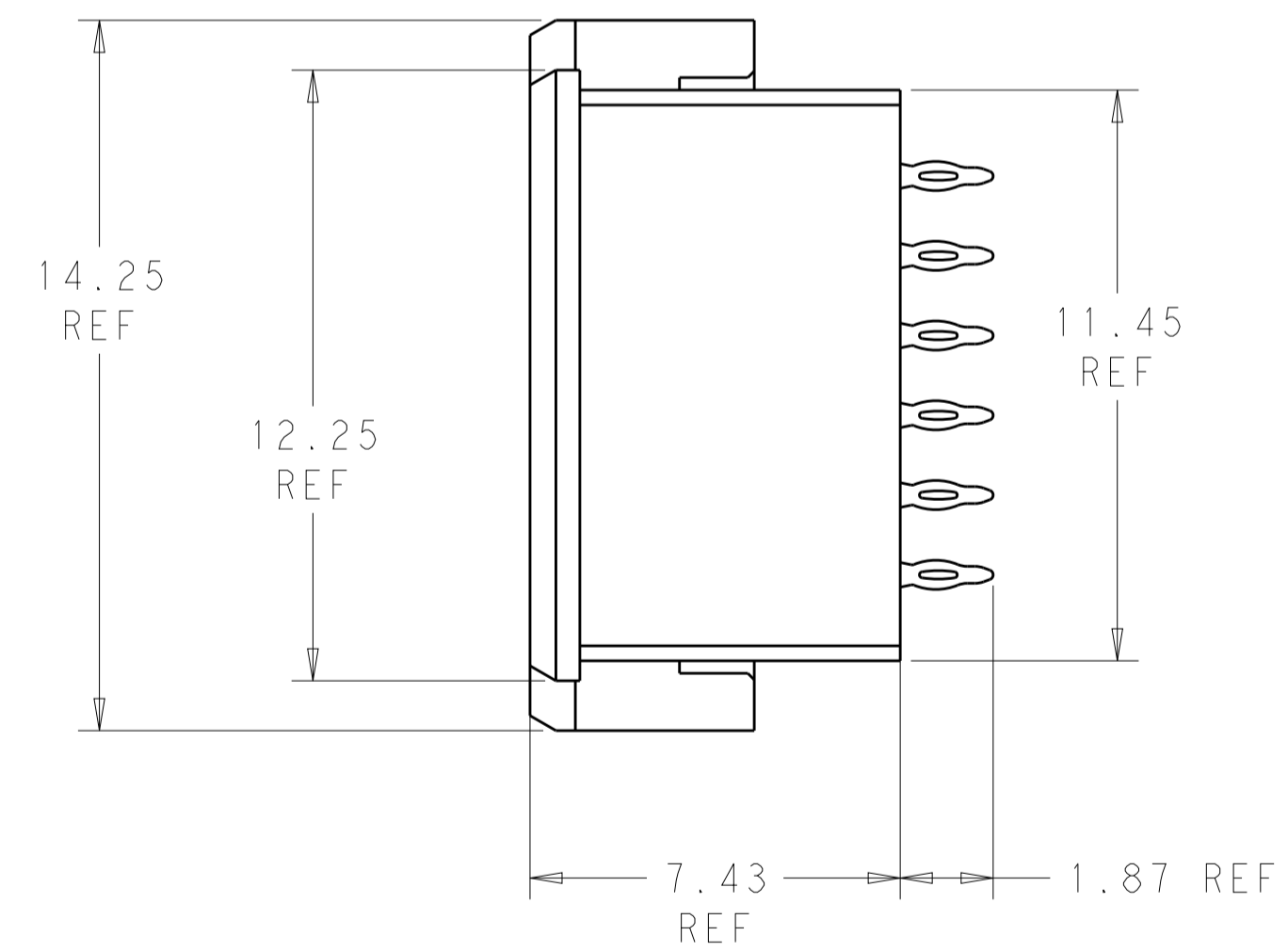
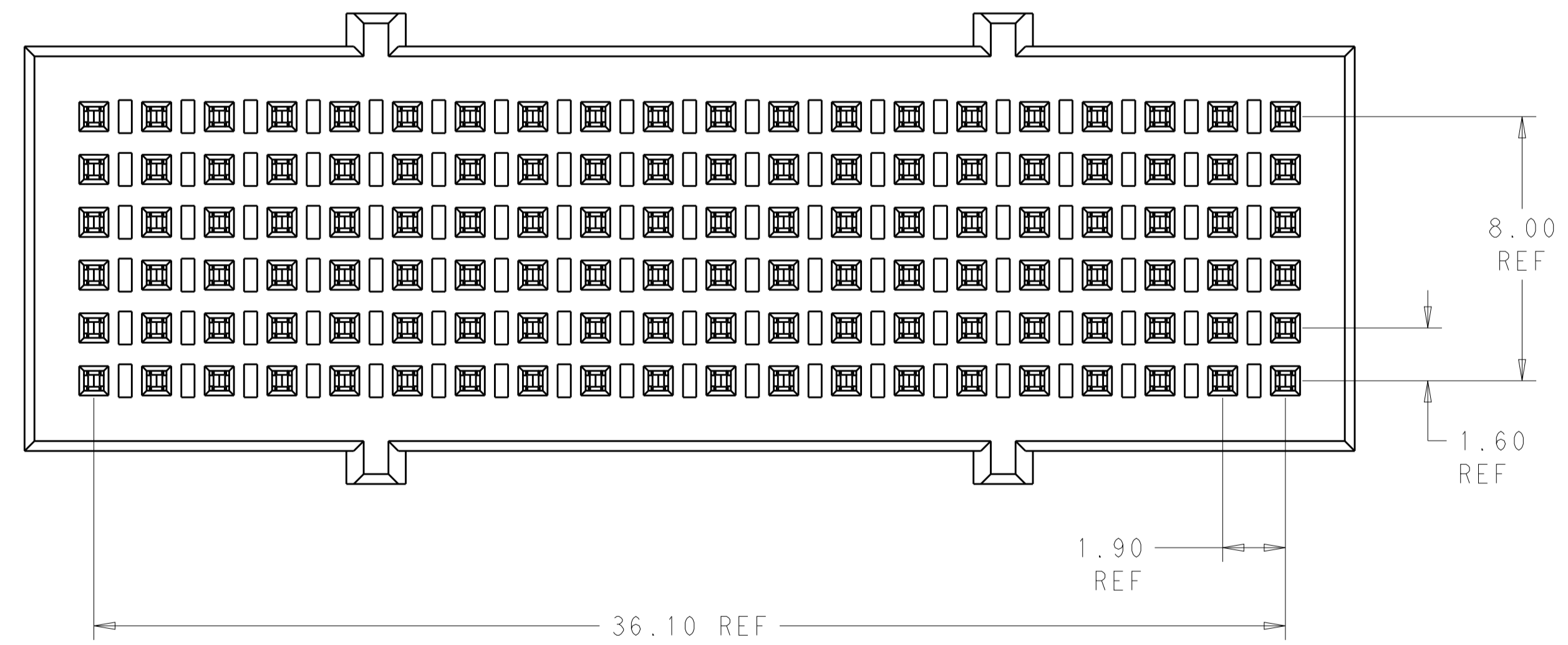
LOC	DIST	REV	DATE	BY	CHK	APPV
-	-	A	11OCT2012	MGM	CT	
-	-	B	01APR2013	KG	DH	
-	-	C	20NOV14	MGM	CT	

$\oplus \varnothing 0.05 \text{ X Y}$
 FINISHED HOLE SIZE
 AND PLATED THRU HOLES

CONNECTOR
 OUTLINE



○ = SIGNAL
 ⊗ = GROUND
 RECOMMENDED DIFFERENTIAL PAIR PC BOARD LAYOUT
 COMPONENT SIDE SHOWN
 SCALE 8:1



- △ MATERIAL:
 CONTACT - COPPER ALLOY
 HOUSING - LCP, COLOR - BLACK
- △ FINISH:
 MATING AREA: 1.27μm MIN GOLD OVER
 1.25μm MIN NICKEL
- △ FINISH:
 COMPLIANT PIN AREA: 0.38μm MIN BRIGHT TIN LEAD
 OVER 1.27μm MIN NICKEL
- △ FINISH:
 COMPLIANT PIN AREA: 0.38μm MIN MATTE TIN
 OVER 1.27μm MIN NICKEL
- △ --
- △ DATUMS AND BASIC DIMENSIONS ESTABLISHED BY CUSTOMER.
- △ REFERENCE APPLICATION SPEC 114-13267 FOR RECOMMENDED
 PLATING THRU HOLE DIAMETER AND PLATING THICKNESS.
- △ RECOMMENDED DIFFERENTIAL PAIR CONFIGURATION SHOWN.
 THE CONNECTOR UTILIZES AN OPEN PIN FIELD AND
 CAN BE LAID OUT IN A SINGLE-ENDED CONFIGURATION.

△ 2 △ 4	2102234-2
△ 2 △ 3	2102234-1
FINISH	PART NUMBER

THIS DRAWING IS A CONTROLLED DOCUMENT. DIMENSIONING AND TOLERANCING PER ASME Y14.5M-2009.		DWN D. BELACK 24NOV2010	TE Connectivity	
DIMENSIONS: mm		CHK A. TSANG	NAME Fortis Zd, 2-PAIR, 20-COLUMN VERTICAL, FULL SHROUD ASSEMBLY	
TOLERANCES UNLESS OTHERWISE SPECIFIED:		APVD M. McALONIS	PRODUCT SPEC 108-2409	
0 PLC ±0.13		APPLICATION SPEC 114-13267		
2 PLC ±0.05		SIZE CAGE CODE DRAWING NO. RESTRICTED TO		
3 PLC ±		WEIGHT ~ 5.21g A100779C=2102234		
4 PLC ±		Customer Drawing SCALE 7:1 SHEET 1 OF 1 REV C		
ANGLES ±2°				
FINISH				