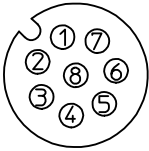


# 8 POLE MM



FEMALE INSERT 3P  
VIEW FROM FRONT SIDE

Pin	WIRE COLOR	Wire color
1	WHITE	WH
2	BROWN	BN
3	GREEN	GN
4	YELLOW	YE
5	GREY	GY
6	PINK	PK
7	BLUE	BU
8	RED	RD

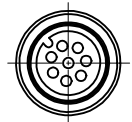
**Tablica tolerancji dlugosci**  
Table of length tolerances

Powyzej Over	Do-wlacznie Up to and including	Tolerancja (+) Tolerance
0	305	+19
305	915	+45
915	1830	+56
1830	3660	+89
3660	7320	+165
7320	14640	+317
14640	30500	+610
30500	>	+2% dlugosci of length

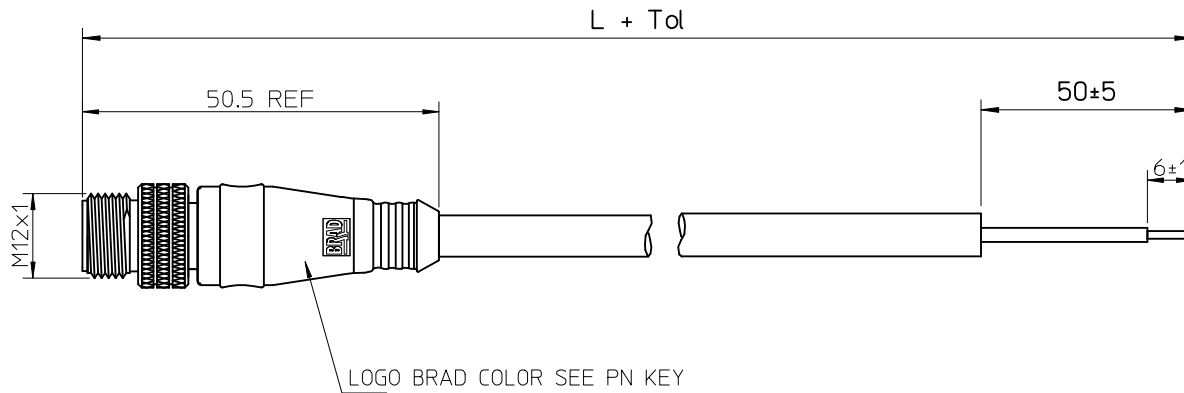
## PART No MATRIX

8 0 8 0 0 6 X X X M X X X X X OVERMOULD COLOR

8-Micro Change  
 0-Portable  
 8-3 Core  
 0-4 Core  
 0-5 Core  
 6-06+ Male straight  
 X-08 - UL Listed LSQH Black PUR 0.25mm² (24AWG)  
 X-P02 - 24AWG BLACK PUR CABLE  
 X-E02 - CABLE PVC BLACK 0.25mm²  
 M-Metres  
 F-Feet  
 LENGTH  
 020-2 METRES  
 050-5 METRES  
 200-20 METRES  
 OVERMOULD COLOR  
 Blank=BLACK (Standard)  
 A=GREY  
 Y=YELLOW  
 Coupling Nut Material  
 Blank-Standard  
 4-Stainless Steel  
 5-3mm



VIEW FROM FRONT SIDE



<b>DRAWING UPDATE</b> EC NO: IPG2013-0156 DRWN:HWALCZAK 2012/07/03 CHKD: APPR:MIWASIECZKO 2012/10/11	DESCRIPTION REV	QUALITY SYMBOLS	GENERAL TOLERANCES (UNLESS SPECIFIED)	DIMENSION STYLE	SCALE	DESIGN UNITS	FIRST ANGLE PROJECTION
		$\nabla=0$ $\sphericalangle=0$	mm INCH	MM ONLY	---	METRIC	<input checked="" type="checkbox"/> FIRST ANGLE <input type="checkbox"/> THIRD ANGLE
		4 PLACES ± --- ± --- 3 PLACES ± --- ± --- 2 PLACES ± --- ± --- 1 PLACE ± --- ± --- ANGULAR ± ---°	DRAWN BY: HWALCZAK DATE: 2012/02/10 CHECKED BY: JMARSZALEK DATE: 2012/02/16 APPROVED BY: MDYSZEWSKA DATE: 2012/02/16	TITLE	CSE M12 8P AC MA STR PUR XM SE UNSH		
		DRAFT WHERE APPLICABLE MUST REMAIN WITHIN DIMENSIONS	MATERIAL NO. <b>MATRIX DRAWING</b> SIZE: A3 THIS DRAWING CONTAINS INFORMATION THAT IS PROPRIETARY TO MOLEX INCORPORATED AND SHOULD NOT BE USED WITHOUT WRITTEN PERMISSION	MOLEX INCORPORATED DOCUMENT NO. SD-120065-001 SHEET NO. 1 OF 1			