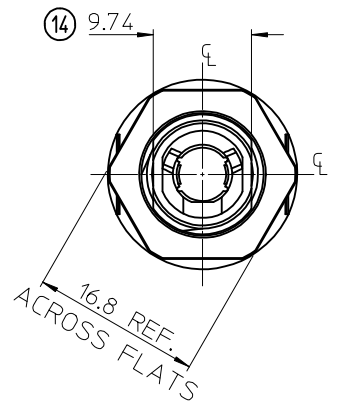
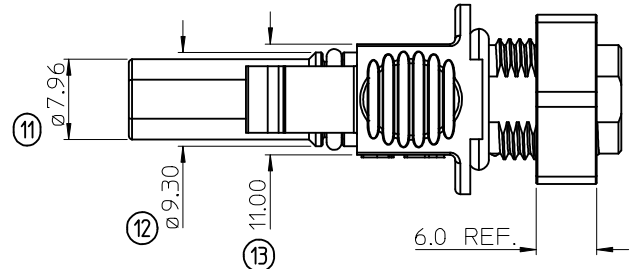
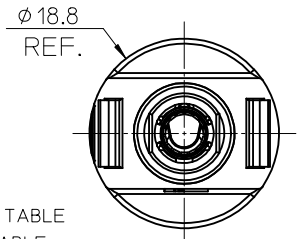
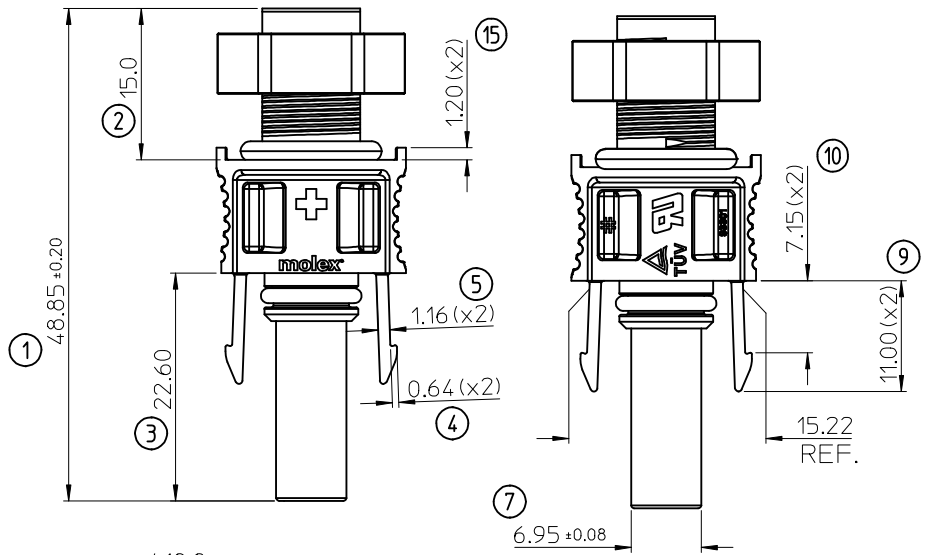
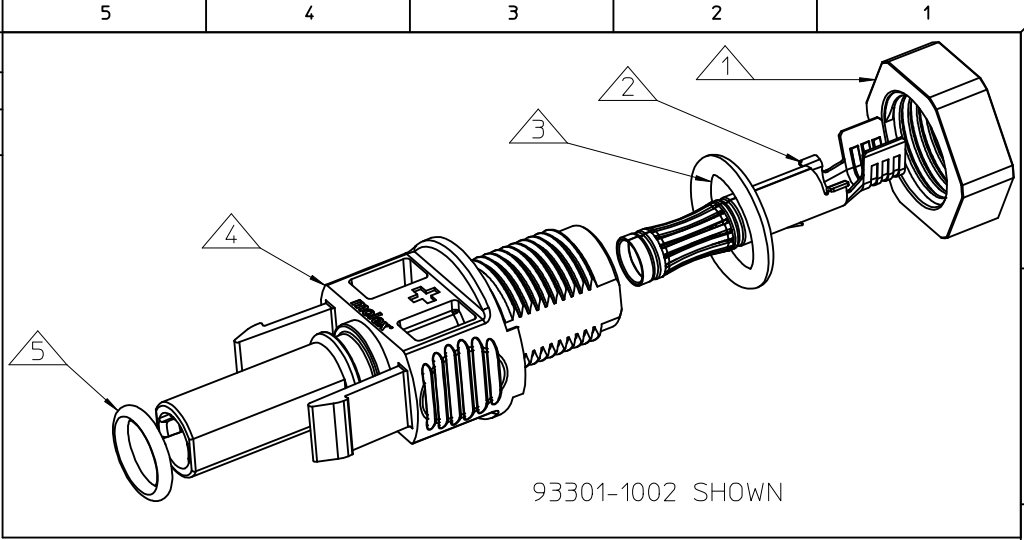


10	9	8	7	6
PART NUMBER	CRIMP SIZE	TERMINAL LOOSE	TERMINAL CHAIN	
93301-1001	2.5MM <sup>2</sup> (14AWG)	933030005	933030003	
93301-1002	4-6MM <sup>2</sup> (12-10AWG)	933030006	933030004	



NOTES:

1. MATERIALS: SEE TABLE
2. FINISHES: SEE TABLE
3. PRODUCT SPECIFICATION: PS-93301-001
4. PACKAGING SPECIFICATION: PK-93301-001(bulk packed)  
PK-93301-004(single packed).
5. ASSEMBLY IS ROHS COMPLIANT.
6. FOR DUSTCAPS PLEASE REFER TO SD-93301-009

LAST INSPECTION NUMBER USED THIS SHEET: 15  
REMOVED INSPECTION NO'S: 6 8

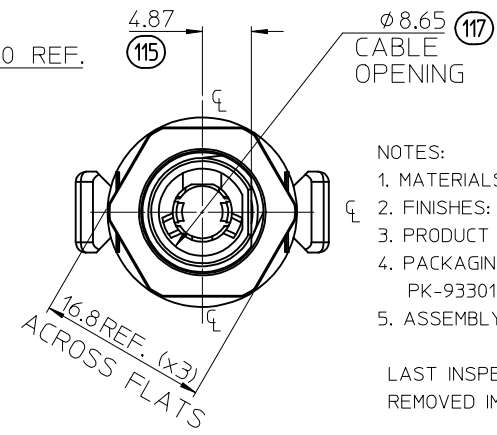
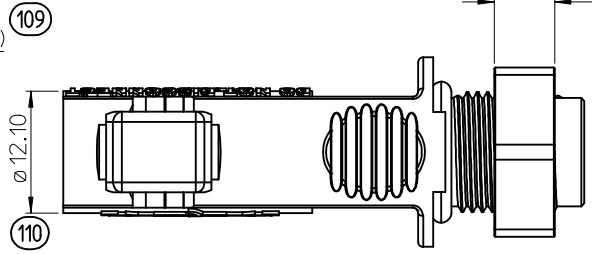
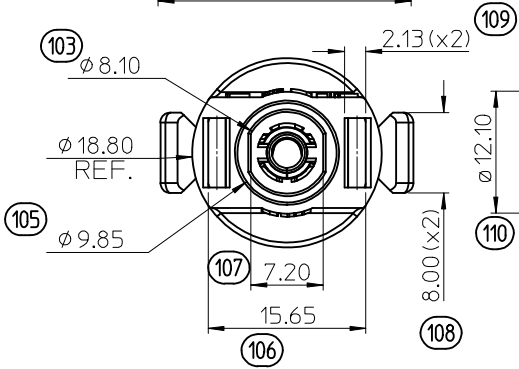
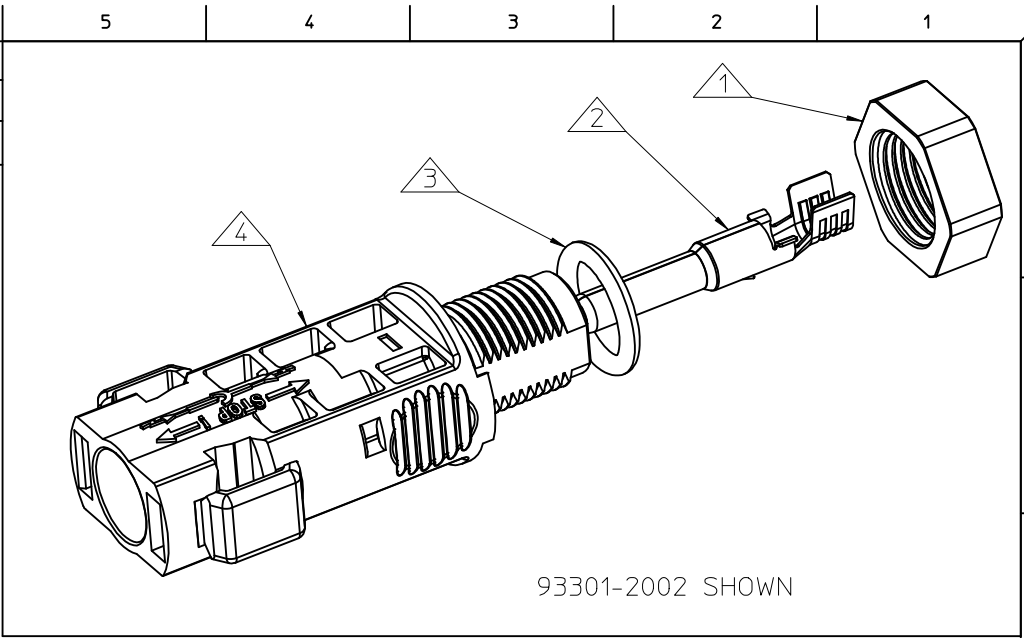
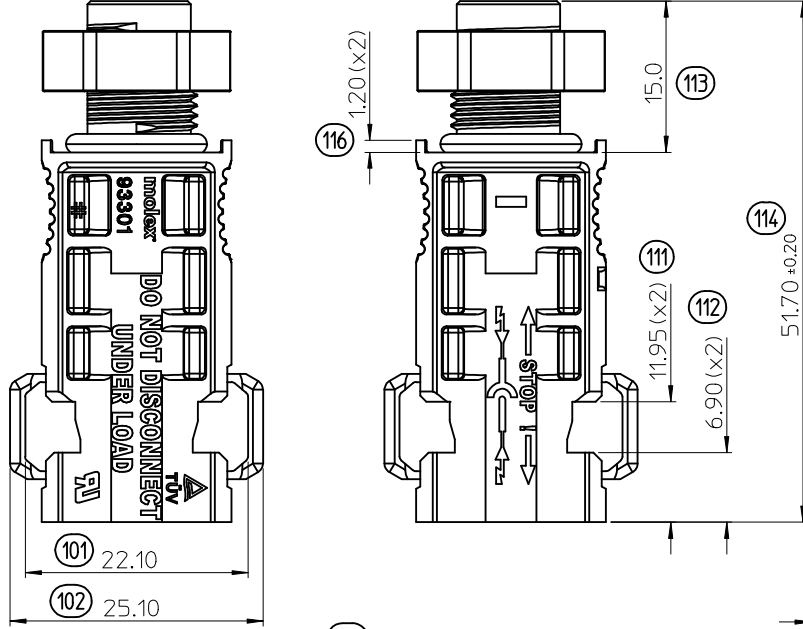
ITEM	QTY	DESCRIPTION	MATERIAL	FINISH
1	1	M12 X 1.0 NUT	PC.	BLACK
2	1	SOCKET TERMINAL	COPPER ALLOY	SELECTIVE SILVER
3	1	2.0 X 10.0 O-RING	SILICONE	TRANSLUCENT
4	1	SOCKET HOUSING	PC	BLACK
5	1	1.5 X 7.0 O-RING	SILICONE	TRANSLUCENT

F.P.I.R. UPDATES EC NO: IPG2012-0274 DRW:DBYRNES 2011/08/18 CHKD:SMCGREEVY 2012/11/29 APPR:ST.GRIFFIN 2013/03/05	QUALITY SYMBOLS	GENERAL TOLERANCES (UNLESS SPECIFIED)	DIMENSION STYLE	SCALE	DESIGN UNITS	THIRD ANGLE PROJECTION																				
	$\nabla=0$ $\sphericalangle=0$	<table border="1"> <tr> <th></th> <th>mm</th> <th>INCH</th> </tr> <tr> <td>4 PLACES</td> <td>± ---</td> <td>± ---</td> </tr> <tr> <td>3 PLACES</td> <td>± ---</td> <td>± ---</td> </tr> <tr> <td>2 PLACES</td> <td>± 0.15</td> <td>± ---</td> </tr> <tr> <td>1 PLACE</td> <td>± 0.25</td> <td>± ---</td> </tr> </table>		mm	INCH	4 PLACES	± ---	± ---	3 PLACES	± ---	± ---	2 PLACES	± 0.15	± ---	1 PLACE	± 0.25	± ---	MM ONLY	2:1	METRIC						
		mm	INCH																							
	4 PLACES	± ---	± ---																							
3 PLACES	± ---	± ---																								
2 PLACES	± 0.15	± ---																								
1 PLACE	± 0.25	± ---																								
DESCRIPTION	<table border="1"> <tr> <th>DRAWN BY</th> <th>DATE</th> <th>TITLE</th> </tr> <tr> <td>DBYRNES</td> <td>2010/12/03</td> <td>SOLAR DC PANEL MOUNT 14 -10 AWG</td> </tr> <tr> <th>CHECKED BY</th> <th>DATE</th> <th></th> </tr> <tr> <td>SMCGREEVY</td> <td>2010/12/06</td> <td></td> </tr> <tr> <th>APPROVED BY</th> <th>DATE</th> <th></th> </tr> <tr> <td>EFOLAN</td> <td>2011/02/08</td> <td></td> </tr> </table>	DRAWN BY	DATE	TITLE	DBYRNES	2010/12/03	SOLAR DC PANEL MOUNT 14 -10 AWG	CHECKED BY	DATE		SMCGREEVY	2010/12/06		APPROVED BY	DATE		EFOLAN	2011/02/08		<table border="1"> <tr> <th>MATERIAL NO.</th> <th>DOCUMENT NO.</th> <th>SHEET NO.</th> </tr> <tr> <td>SEE CHART</td> <td>SD-93301-001</td> <td>1 OF 3</td> </tr> </table>	MATERIAL NO.	DOCUMENT NO.	SHEET NO.	SEE CHART	SD-93301-001	1 OF 3
DRAWN BY	DATE	TITLE																								
DBYRNES	2010/12/03	SOLAR DC PANEL MOUNT 14 -10 AWG																								
CHECKED BY	DATE																									
SMCGREEVY	2010/12/06																									
APPROVED BY	DATE																									
EFOLAN	2011/02/08																									
MATERIAL NO.	DOCUMENT NO.	SHEET NO.																								
SEE CHART	SD-93301-001	1 OF 3																								

DRAFT WHERE APPLICABLE  
MUST REMAIN WITHIN DIMENSIONS

SIZE	THIS DRAWING CONTAINS INFORMATION THAT IS PROPRIETARY TO MOLEX INCORPORATED AND SHOULD NOT BE USED WITHOUT WRITTEN PERMISSION	
A3		

10	9	8	7	6
PART NUMBER	CRIMP SIZE	TERMINAL LOOSE	TERMINAL CHAIN	
93301-2001	2.5MM <sup>2</sup> (14AWG)	933020005	933020003	
93301-2002	4-6MM <sup>2</sup> (12-10AWG)	933020006	933020004	



NOTES:  
 1. MATERIALS: SEE TABLE  
 2. FINISHES: SEE TABLE  
 3. PRODUCT SPECIFICATION: PS-93301-001  
 4. PACKAGING SPECIFICATION: PK-93301-002(bulk packed)  
 PK-93301-005(single packed).  
 5. ASSEMBLY IS ROHS COMPLIANT.

LAST INSPECTION NUMBER USED THIS SHEET: 117  
 REMOVED INSPECTION NO'S: (104)

ITEM	QTY	DESCRIPTION	MATERIAL	FINISH
1	1	M12 X 1.0 NUT	PC.	BLACK
2	1	PIN TERMINAL	COPPER ALLOY	SELECTIVE SILVER
3	1	2.0 X 10.0 O-RING	SILICONE	TRANSLUCENT
4	1	PIN HOUSING	PC	BLACK

SEE SHEET 1  
 EC NO: IPG2012-0274  
 DRN:DBYRNES 2011/08/18  
 CHKD:SMCGREEVY 2012/11/29  
 APPR:ST.GRIFFIN 2013/03/05

QUALITY SYMBOLS  
 ▽=0  
 ◻=0

GENERAL TOLERANCES (UNLESS SPECIFIED)

	mm	INCH
4 PLACES	± ---	± ---
3 PLACES	± ---	± ---
2 PLACES	± 0.15	± ---
1 PLACE	± 0.25	± ---

ANGULAR ± 2 °

DRAFT WHERE APPLICABLE MUST REMAIN WITHIN DIMENSIONS

DIMENSION STYLE  
 MM ONLY

SCALE  
 2:1

DESIGN UNITS  
 METRIC

THIRD ANGLE PROJECTION

DRAWN BY: DBYRNES  
 DATE: 2010/12/03

CHECKED BY: SMCGREEVY  
 DATE: 2010/12/06

APPROVED BY: EFOLAN  
 DATE: 2011/02/08

MATERIAL NO.  
 SEE CHART

SIZE  
 A3

TITLE  
 SOLAR DC PANEL MOUNT  
 14 -10 AWG

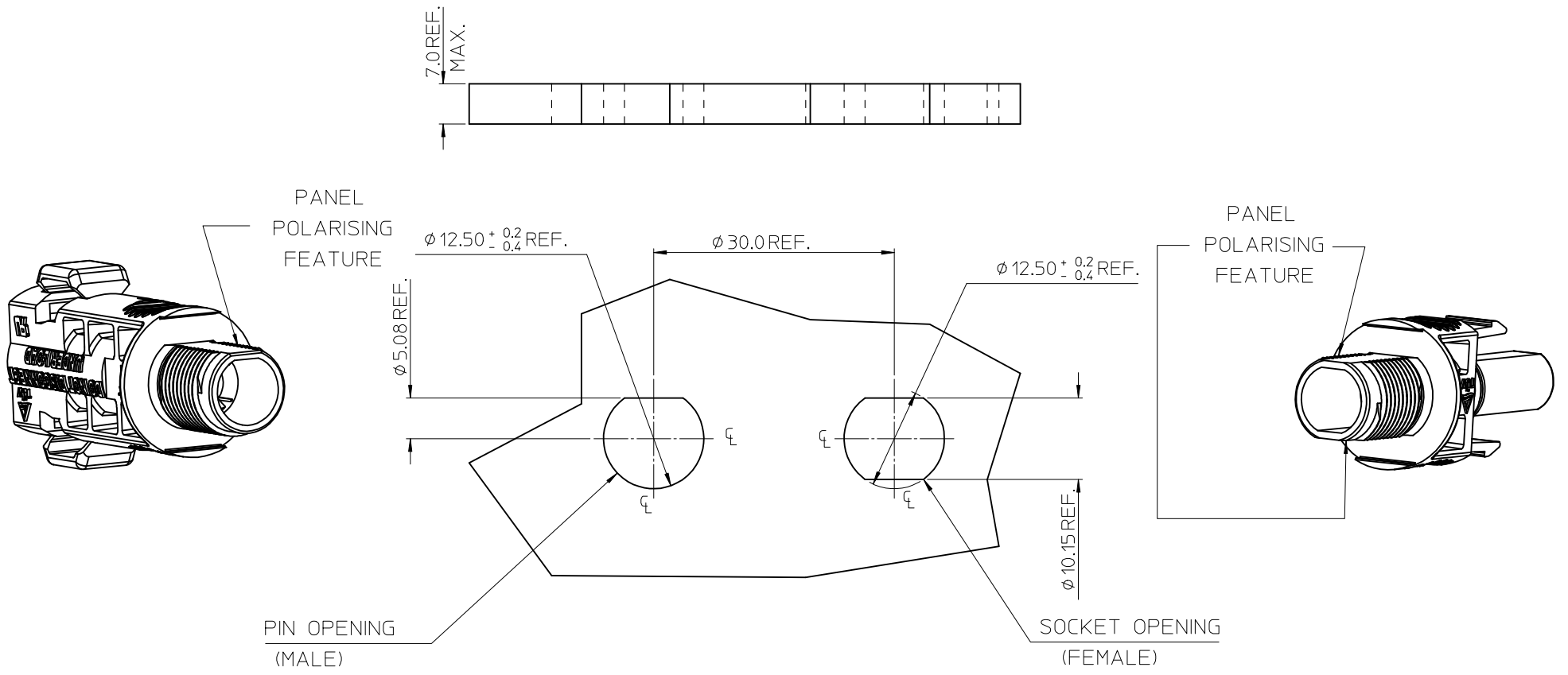
MOLEX INCORPORATED

DOCUMENT NO.  
 SD-93301-001

SHEET NO.  
 2 OF 3

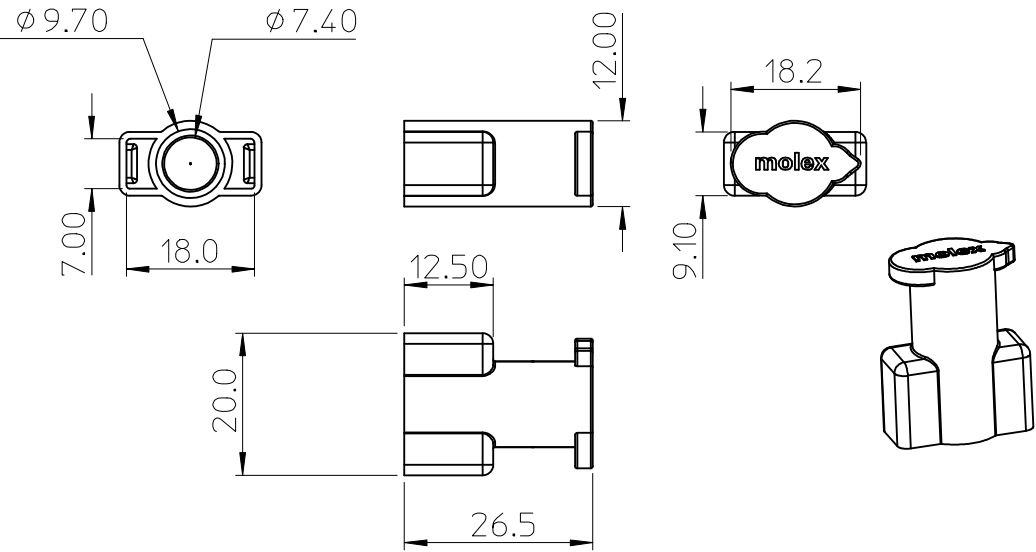
THIS DRAWING CONTAINS INFORMATION THAT IS PROPRIETARY TO MOLEX INCORPORATED AND SHOULD NOT BE USED WITHOUT WRITTEN PERMISSION

# RECOMMENDED PANEL LAYOUT

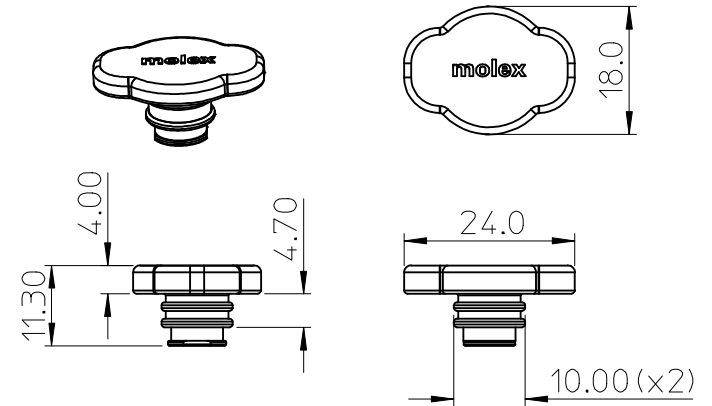


SEE SHEET 1 EC NO: IPG2012-0274 DRWN:DBYRNES 2011/08/18 CHKD:SMCGREEVY 2012/11/29 APPR:STGRIFFIN 2013/03/05	QUALITY SYMBOLS	GENERAL TOLERANCES (UNLESS SPECIFIED)	DIMENSION STYLE	SCALE	DESIGN UNITS	THIRD ANGLE PROJECTION															
	$\blacktriangledown = 0$ $\triangleleft = 0$	<table border="1"> <thead> <tr> <th></th> <th>mm</th> <th>INCH</th> </tr> </thead> <tbody> <tr> <td>4 PLACES</td> <td><math>\pm</math> ---</td> <td><math>\pm</math> ---</td> </tr> <tr> <td>3 PLACES</td> <td><math>\pm</math> ---</td> <td><math>\pm</math> ---</td> </tr> <tr> <td>2 PLACES</td> <td><math>\pm 0.15</math></td> <td><math>\pm</math> ---</td> </tr> <tr> <td>1 PLACE</td> <td><math>\pm 0.25</math></td> <td><math>\pm</math> ---</td> </tr> </tbody> </table>		mm	INCH	4 PLACES	$\pm$ ---	$\pm$ ---	3 PLACES	$\pm$ ---	$\pm$ ---	2 PLACES	$\pm 0.15$	$\pm$ ---	1 PLACE	$\pm 0.25$	$\pm$ ---	MM ONLY	2:1	METRIC	
		mm	INCH																		
	4 PLACES	$\pm$ ---	$\pm$ ---																		
3 PLACES	$\pm$ ---	$\pm$ ---																			
2 PLACES	$\pm 0.15$	$\pm$ ---																			
1 PLACE	$\pm 0.25$	$\pm$ ---																			
DESCRIPTION	DRAWN BY: DBYRNES CHECKED BY: SMCGREEVY APPROVED BY: EFO LAN DATE: 2011/02/08	DRAWN BY: DBYRNES DATE: 2010/12/03 CHECKED BY: SMCGREEVY DATE: 2010/12/06 APPROVED BY: EFO LAN DATE: 2011/02/08	TITLE	SOLAR DC PANEL MOUNT 14 -10 AWG																	
REV	MATERIAL NO. N/A DRAFT WHERE APPLICABLE MUST REMAIN WITHIN DIMENSIONS	MATERIAL NO. N/A	MOLEX INCORPORATED DOCUMENT NO. SD-93301-001	SHEET NO. 3 OF 3																	

93301-9001



93301-9002



NOTE'S

1. MATERIAL - SILICONE NE-7150
2. PARTS MUST BE RoHS COMPLIANT.
3. SUITABLE FOR USE WITH MOLEX SERIES 93301 & 130244 SOLARSPEC CONNECTORS.
4. PACKAGING SPECIFICATION: SEE CHART.

PART No.	DESCRIPTION	PKG SPEC
93301-9001	FEMALE SOCKET DUST CAP.	PK-93301-011
93301-9002	MALE PIN DUSTCAP.	PK-93301-012

ORIGINAL RELEASE EC NO: IPG2013-0910 DRWN:DBYRNES 2012/09/18 CHKD:CKNOWLES 2012/12/14 APPR:STGRIFFIN 2012/12/14	DESCRIPTION A	QUALITY SYMBOLS	GENERAL TOLERANCES (UNLESS SPECIFIED)	DIMENSION STYLE MM ONLY	SCALE 1:1	DESIGN UNITS METRIC	THIRD ANGLE PROJECTION
		▽=0 ◻=0	mm      INCH 4 PLACES ± --- ± --- 3 PLACES ± --- ± --- 2 PLACES ± 0.25 ± --- 1 PLACE ± 0.38 ± --- 0 PLACE ± --- ± ---	DRAWN BY      DATE DBYRNES      2012/09/18 CHECKED BY      DATE CKNOWLES      2012/12/14 APPROVED BY      DATE STGRIFFIN      2012/12/14	TITLE	93301 SERIES SOLARSPEC DUSTCAPS	
		ANGULAR ± 2 °	MATERIAL NO.	DOCUMENT NO.		SHEET NO.	
		DRAFT WHERE APPLICABLE MUST REMAIN WITHIN DIMENSIONS	SEE CHART	SD-93301-009		1 OF 1	
		SIZE				THIS DRAWING CONTAINS INFORMATION THAT IS PROPRIETARY TO MOLEX INCORPORATED AND SHOULD NOT BE USED WITHOUT WRITTEN PERMISSION	