

Series

SMX2 • SMX5



- Heavy-duty magnetic sensor
- Quadrature output, AB signals
- Universal output circuit (Push-Pull & Line Driver)
- M10 steel case
- Gap clearance up to 3.0 mm
- Position & speed measurement
- Suitable for linear or rotary applications



SMX2 • SMX5

ENVIRONMENTAL SPECIFICATIONS

Shock:	250 g, 6 ms acc. to CEI EN 60068-2-27
Vibrations:	10 g, 5-2000 Hz acc. to CEI EN 60068-2-6
Protection:	IP67
Operating temperature range:	-25°C ÷ +85°C (-13°F +185°F)
Storage temperature range:	-40°C ÷ +100°C (-40°F +212°F)

MECHANICAL SPECIFICATIONS

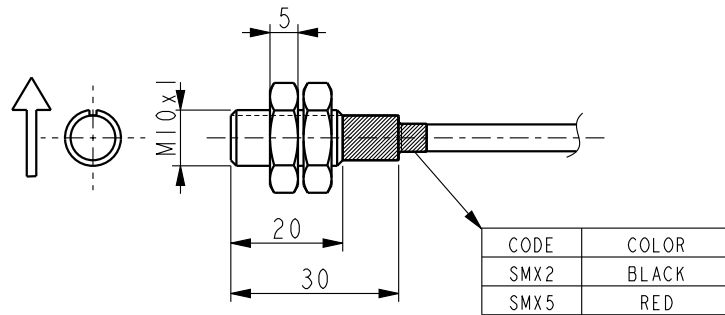
Dimensions:	see drawing
Housing material:	stainless steel
Electrical connections:	Lika Hi-flex cable M6, 1,0 m
Gap between sensor/tape (without cover strip):	SMX2: 0,1 ÷ 2,0 mm SMX5: 0,1 ÷ 3,0 mm
Travel speed (mechanical):	max 16 m/s
Measurement length:	Tape length -5 mm each side

ELECTRICAL SPECIFICATIONS

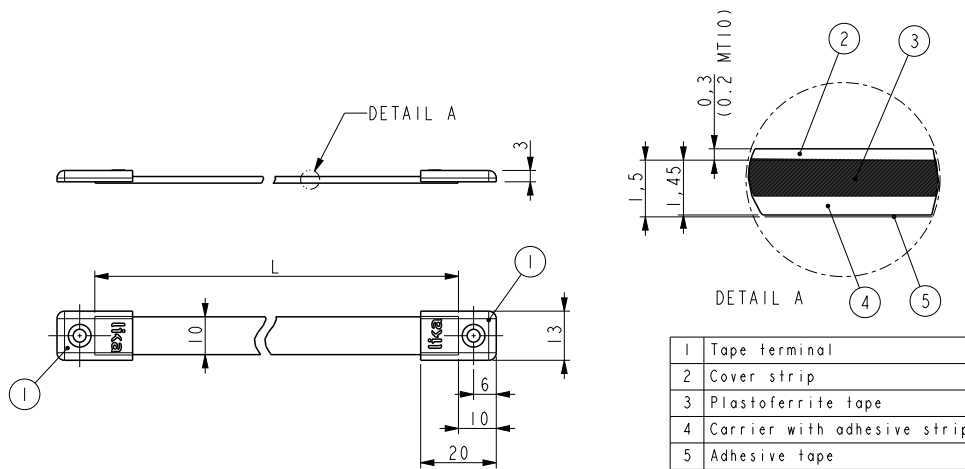
Resolution:	SMX2: 1 mm SMX5: 2.5 mm
Repeat accuracy:	±1 increment
Output circuits:	Universal output circuit (PP/LD)
Output signals:	AB /AB
Counting frequency:	30 kHz
Power supply:	+5Vdc +30Vdc
Power consumption:	50 mA max.
Protection:	against inversion of polarity and short-circuit
EMC:	acc. to EN 61000-6-2 level 3

ACCESSORIES

MT50:	Magnetic tape for SMX5
MT20:	Magnetic tape for SMX2
MRI:	Magnetic rings
KIT LKM-1440:	Set of tape terminals (10 pcs)



SMX2 • SMX5



MT50 • MT20

Order code - Sensor

SMX2 SMX5	-	C ⓐ	-	X ⓑ	-	X ⓒ	-	XXX ⓓ	/Sxxx ⓔ
--------------	---	--------	---	--------	---	--------	---	----------	------------

ⓐ C = circular sensor
 ⓑ OUTPUT CIRCUITS
 H = PP/LD universal circuit

ⓒ POWER SUPPLY
 4 = +5Vdc ±30Vdc

ⓓ CONNECTIONS
 L2 = cable output 2 m
 L5 = cable output 5 m
 Lx = cable output x m

ⓔ CUSTOM VERSION

Order code - Magnetic tape

MT20 MT50	-	XXX ⓐ	-	XXX ⓑ	-	X ⓒ	-	/Sxxx ⓓ
--------------	---	----------	---	----------	---	--------	---	------------

ⓐ LENGTH
 1 = 1,0 m 20 = 20,0 m
 2 = 2,0 m 30 = 30,0 m
 4 = 4,0 m 50 = 50,0 m
 10 = 10,0 m 100 = 100,0 m

ⓑ ACCURACY CLASS
 100 = ±85 µm/m

ⓒ COVER STRIP
 0 = not supplied
 1 = supplied

ⓓ CUSTOM VERSION