



Connectors > Circular Connectors > Standard Circular Connectors > M12 Straight Crimped Strain Relief



Connector System: **Cable-to-Cable**

Number of Positions: **8**

Sealable: **Yes**

Connector & Contact Terminates To: **Wire & Cable**

Contact Current Rating (Max): **2 A**

[All M12 Straight Crimped Strain Relief \(53\)](#)

## Features

### Product Type Features

Product Type	Connector Kit
Connector System	Cable-to-Cable
Sealable	Yes
Connector & Contact Terminates To	Wire & Cable
Circular Connector Type	Receptacle
Shell Type	Full Metal Shell

### Configuration Features

Number of Positions	8
Contacts Preloaded	No

### Electrical Characteristics

Operating Voltage	30 VDC
-------------------	--------

### Signal Characteristics

Data Rate	1 Gb/s
-----------	--------

### Body Features

Environmental Protection Type	Elastomer Sealed
Environmental Protection	Yes
Weight	25 g[.0552 lb]



Shell Plating Material	Nickel
Shell Base Material	Brass
Circular Connector Insulation Material Type	Low Fire Hazard Thermoplastic
Hermetically Sealed	Yes

#### Contact Features

Contact Current Rating (Max)	2 A
Circular Connector Contact Type	Socket

#### Mechanical Attachment

Connector Mounting Type	Cable Mount (Free-Hanging)
Polarization Code	A
Mating Alignment Type	Keyed
Mating Retention	With

#### Dimensions

Compatible Insulation Diameter Range	7.3 mm
Wire Size	22 AWG

#### Usage Conditions

IP Water Sealing Level	IP67
IP Dust Sealing Level	6
Operating Temperature Range	-40 – 70 °C, -40 – 85 °C[-40 – 158 °F][-40 – 185 °F]

#### Operation/Application

Durability Rating	250 Cycles
Circuit Application	Signal
Shielded	Yes

#### Industry Standards

UL Flammability Rating	UL 94V-0
------------------------	----------

#### Packaging Features

Packaging Quantity	1
--------------------	---

#### Other

Field Serviceable	Yes
-------------------	-----

#### Product Compliance



[For compliance documentation, visit the product page on TE.com>](#)

EU RoHS Directive 2011/65/EU	Not Compliant
EU ELV Directive 2000/53/EC	Compliant
China RoHS 2 Directive MIIT Order No 32, 2016	Restricted Materials Above Threshold
EU REACH Regulation (EC) No. 1907/2006	Current ECHA Candidate List: JUNE 2023 (235) Candidate List Declared Against: JUNE 2023 (235) SVHC > Threshold: Pb (3% in Component Part) <b>Article Safe Usage Statements:</b> Do not eat, drink or smoke when using this product. Wash thoroughly after handling. Recycle if possible and dispose of the article by following all applicable governmental regulations relevant to your geographic location.
Halogen Content	Low Halogen - Br, Cl, F, I < 900 ppm per homogenous material. Also BFR/CFR/PVC Free
Solder Process Capability	Not reviewed for solder process capability

Product Compliance Disclaimer

This information is provided based on reasonable inquiry of our suppliers and represents our current actual knowledge based on the information they provided. This information is subject to change. The part numbers that TE has identified as EU RoHS compliant have a maximum concentration of 0.1% by weight in homogenous materials for lead, hexavalent chromium, mercury, PBB, PBDE, DBP, BBP, DEHP, DIBP, and 0.01% for cadmium, or qualify for an exemption to these limits as defined in the Annexes of Directive 2011/65/EU (RoHS2). Finished electrical and electronic equipment products will be CE marked as required by Directive 2011/65/EU. Components may not be CE marked. Additionally, the part numbers that TE has identified as EU ELV compliant have a maximum concentration of 0.1% by weight in homogenous materials for lead, hexavalent chromium, and mercury, and 0.01% for cadmium, or qualify for an exemption to these limits as defined in the Annexes of Directive 2000/53/EC (ELV). Regarding the REACH Regulation, the information TE provides on SVHC in articles for this part number is based on the latest European Chemicals Agency (ECHA) 'Guidance on requirements for substances in articles' posted at this URL: <https://echa.europa.eu/guidance-documents/guidance-on-reach>

## Compatible Parts



TE Part # 1-2823557-1  
CRIMP TOOL FOR CRIMP FLANGE /SLEEVE



TE Part # 1-2823560-1  
ASSEMBLY TOOL HANDLE FOR CRIMP FLANGE



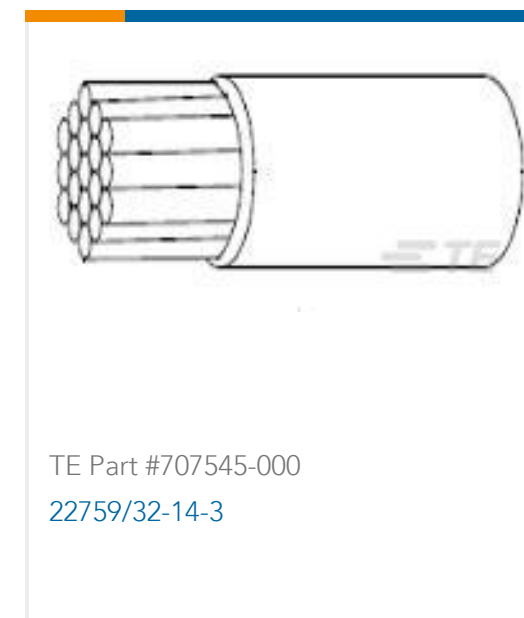
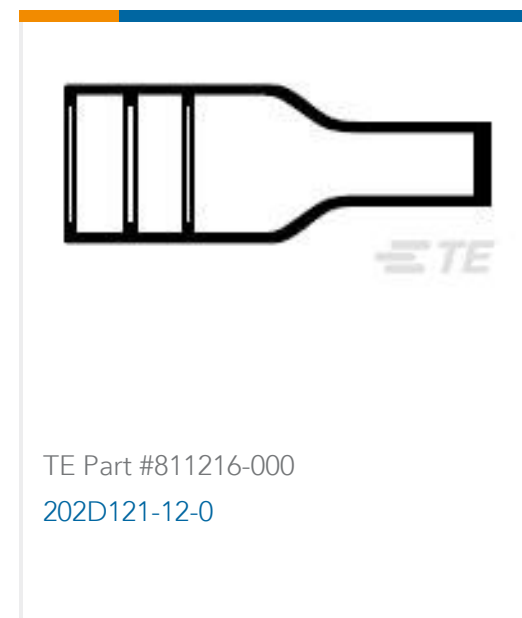
TE Part # 1-2823561-1  
UNIVERSAL INSERT (ALL M12 CODES)



TE Part # CAT-M1-M1  
M12 Assembly Tooling



## Customers Also Bought



## Documents

### Product Drawings

M12 A-F-8, CAT 5 RADOX 7.3MM, H&S

English

### CAD Files

3D PDF

3D

Customer View Model

ENG\_CVM\_CVM\_1-2823450-4\_A.2d\_dxf.zip



English

**Customer View Model**

[ENG\\_CVM\\_CVM\\_1-2823450-4\\_A.3d\\_igs.zip](#)

English

**Customer View Model**

[ENG\\_CVM\\_CVM\\_1-2823450-4\\_A.3d\\_stp.zip](#)

English

By downloading the CAD file I accept and agree to the [Terms and Conditions](#) of use.

---

## Datasheets & Catalog Pages

[M12 Rail Straight Connector](#)

English

---

## Product Specifications

[Product Specification](#)

English