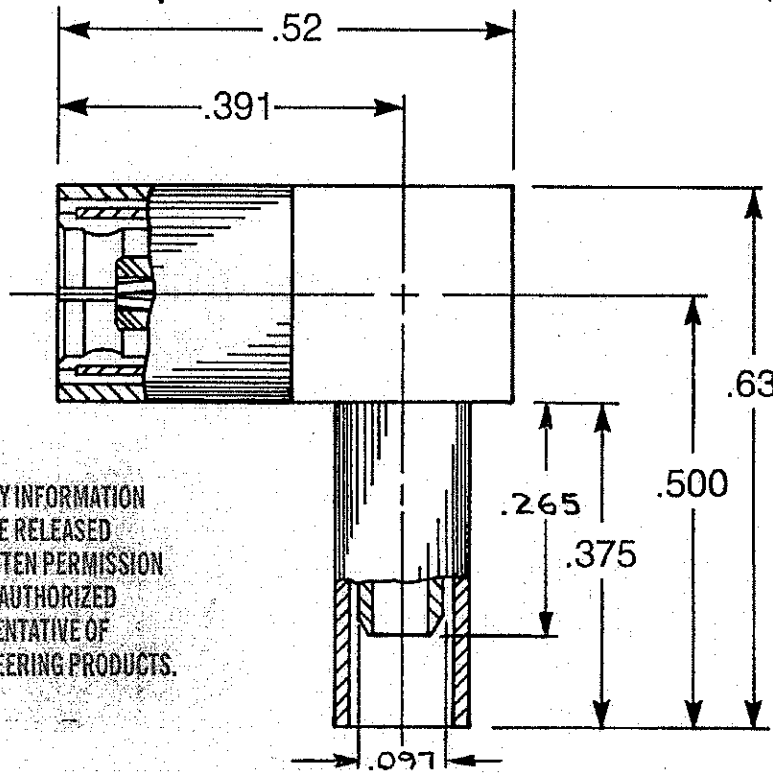


REVISIONS			
LTR	DESCRIPTION	DATE	APPROVED
B	REDRAWN AND UPDATED	12-9-96	D.N.



PROPRIETARY INFORMATION
 NOT TO BE RELEASED
 WITHOUT WRITTEN PERMISSION
 FROM AN AUTHORIZED
 REPRESENTATIVE OF
 APPLIED ENGINEERING PRODUCTS.

NOTES: CONFORMS TO MIL-PRF-39012 SMB SERIES

MATERIAL:

- INSULATORS = TEFLON, VIRGIN WHITE PER ASTM D1710, GRADE I, TYPE I, CLASS A.
- CONTACT & SPRING = BERYLLIUM COPPER PER ASTM B196, ALLOY C17300, TEMPER TD04.
- CRIMP SLEEVE = SEAMLESS COPPER TUBE PER ASTM B75, TYPE C12000, TEMPER: LIGHT ANNEAL O50.
- ALL OTHER METAL PARTS = BRASS PER ASTM B16, ALLOY C36000, TEMPER H02.

FINISHES:

- CONTACT = GOLD PLATE PER MIL-G-45204, TYPE II, CLASS 1, GRADE C, OVER .00010 TO .00020 STRESS FREE SULFAMATE NICKEL PER QQ-N-290.
- ALL OTHER METAL PARTS = GOLD PLATE PER MIL-G-45204, TYPE II, CLASS 0, GRADE C OVER .00010 TO .00020 COPPER STRIKE PER MIL-C-14550.

UNLESS OTHERWISE SPECIFIED DIMENSIONS ARE IN INCHES TOLERANCES ON FRAC. 1/64 DECIMAL ANGLES ± 2°	DRAWN D.N.	DATE 12-9-96	APPLIED ENGINEERING PRODUCTS 104 John W. Murphy Drive, P.O. Box 510 New Haven, CT 06513	
	CHECKED VPS	DATE 12-9-96		
MATERIAL: SEE NOTES	APPROVED <i>[Signature]</i>	DATE 12/9/96	SMB RIGHT ANGLE FEMALE CABLE PLUG FOR USE WITH RG-174, 179, 188 & 316 CABLE	
	FINISH: SEE NOTES			
	SIZE A	CODE IDENT NO. 19505	2105-1521-003	
	SCALE NTS	REV. B	SHEET 1	OF 1

Design Products Co. 06/20/96 #1000