

INTERCONNECTS

SERIES 350, 450, 801, 803 • .100" GRID (.025" DIA. PINS), LOW PROFILE HEADERS & VERSATILE SOCKETS • SINGLE & DOUBLE ROW STRIPS

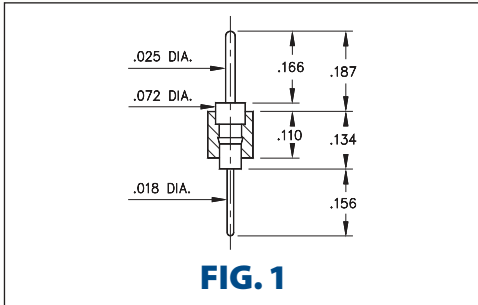


FIG. 1

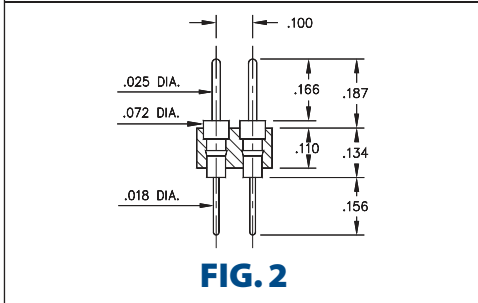


FIG. 2

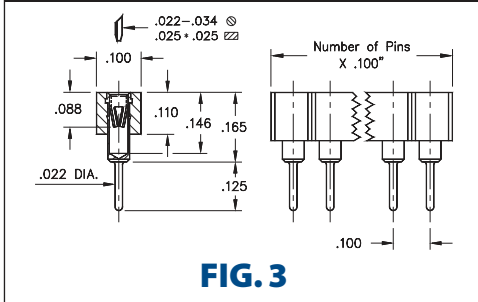


FIG. 3

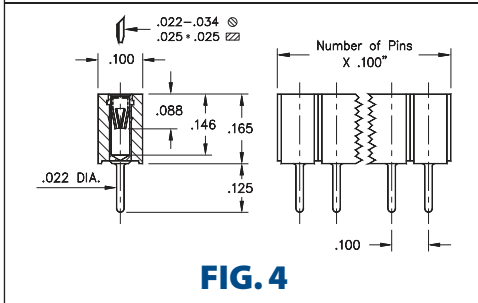


FIG. 4

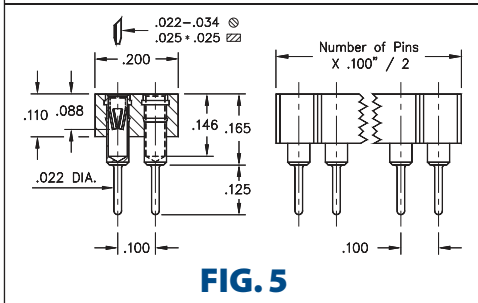
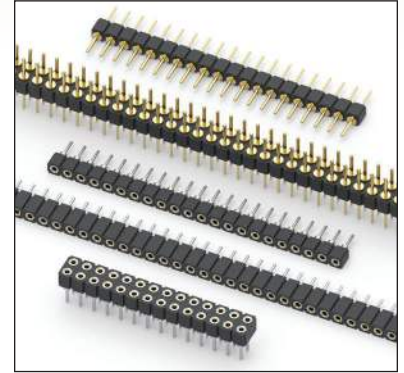


FIG. 5

- Series 350 and 450 single and double row pin headers use MM #0290 pins. See page 215 for details
- Series 801 and 803 single and double row low profile sockets use MM #1303 receptacles. See page 180 for details
- Series 801 and 803 receptacles use Hi-Rel, 6-finger BeCu #16 contact rated at 4.5 amps. Receptacles accept .025" diameter and .025" square pins. See page 256 for details
- Insulators are high temperature thermoplastic, suitable for all soldering operations



ORDERING INFORMATION

FIG. 1	Series 350...001 Single Row .025" Pin / .018" Solder Tail																		
	350-XX-1__-00-001000 Specify number of pins 01-64																		
FIG. 2	Series 450...001 Double Row .025" Pin / .018" Solder Tail																		
	450-XX-2__-00-001000 Specify number of pins 04-64																		
XX=Plating Code See Below For Electrical, Mechanical & Environmental Data, See page 264																			
<table border="1" style="width: 100%; border-collapse: collapse;"> <tr> <td style="width: 25%;">SPECIFY PLATING CODE XX=</td> <td style="width: 12.5%; text-align: center;">10 </td> <td style="width: 12.5%; text-align: center;">90</td> <td style="width: 12.5%; text-align: center;">40 </td> <td style="width: 12.5%;"></td> </tr> <tr> <td>Pin Plating </td> <td style="text-align: center;">10 μ" Au</td> <td style="text-align: center;">200 μ" Sn/Pb</td> <td style="text-align: center;">200 μ" Sn</td> <td></td> </tr> </table>		SPECIFY PLATING CODE XX=	10	90	40		Pin Plating	10 μ" Au	200 μ" Sn/Pb	200 μ" Sn									
SPECIFY PLATING CODE XX=	10	90	40																
Pin Plating	10 μ" Au	200 μ" Sn/Pb	200 μ" Sn																
FIG. 3	Series 801...003 Low Profile Socket (short insulator)																		
	801-XX-0__-10-003000 Specify number of pins 01-64																		
FIG. 4	Series 801...013 Low Profile Socket (long insulator)																		
	801-XX-0__-10-013000 Specify number of pins 01-36																		
FIG. 5	Series 803...003 Double Row Low Profile Socket																		
	803-XX-0__-10-003000 Specify number of pins 04-72																		
XX=Plating Code See Below For Electrical, Mechanical & Environmental Data, See page 264																			
<table border="1" style="width: 100%; border-collapse: collapse;"> <tr> <td style="width: 25%;">SPECIFY PLATING CODE XX=</td> <td style="width: 12.5%;"></td> <td style="width: 12.5%;"></td> <td style="width: 12.5%; text-align: center;">41 </td> <td style="width: 12.5%; text-align: center;">43 </td> <td style="width: 12.5%;"></td> </tr> <tr> <td>Sleeve (Pin) </td> <td></td> <td></td> <td style="text-align: center;">200 μ" Sn</td> <td style="text-align: center;">200 μ" Sn</td> <td></td> </tr> <tr> <td>Contact (Clip) </td> <td></td> <td></td> <td style="text-align: center;">10 μ" Au</td> <td style="text-align: center;">30 μ" Au</td> <td></td> </tr> </table>		SPECIFY PLATING CODE XX=			41	43		Sleeve (Pin)			200 μ" Sn	200 μ" Sn		Contact (Clip)			10 μ" Au	30 μ" Au	
SPECIFY PLATING CODE XX=			41	43															
Sleeve (Pin)			200 μ" Sn	200 μ" Sn															
Contact (Clip)			10 μ" Au	30 μ" Au															

