

Customer Information Sheet

DRAWING No.: M80-FCXXX68L0-XXXXL

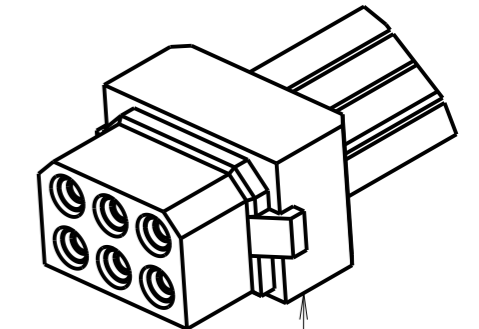
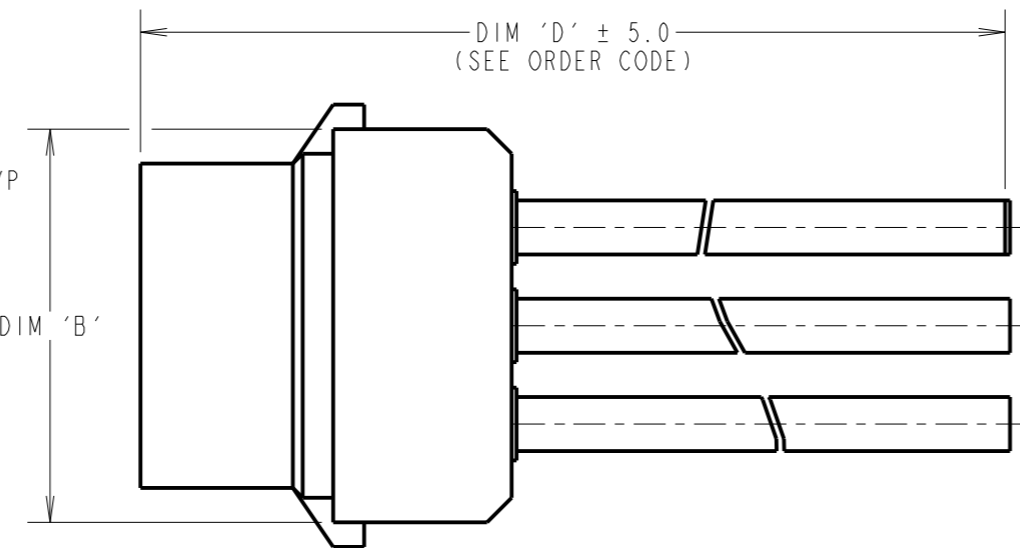
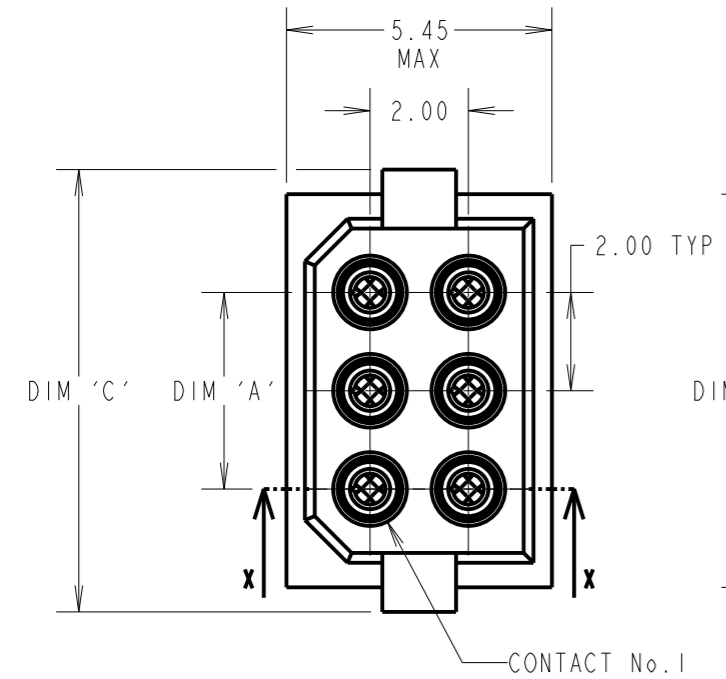
IF IN DOUBT - ASK

©

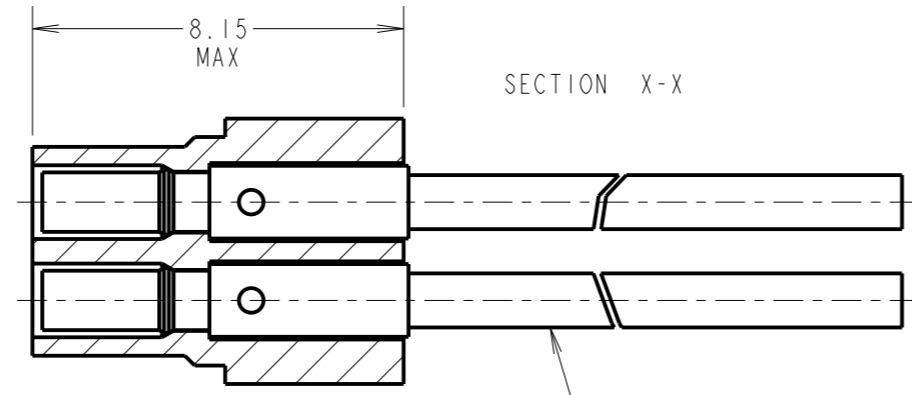
NOT TO SCALE

THIRD ANGLE PROJECTION

ALL DIMENSIONS IN mm



FEMALE HOUSING (I-OFF);
SEE ORDER CODE FOR TOTAL
NUMBER OF CONTACTS



PTFE WIRE:
IN ACCORDANCE WITH COMPONENT SPECIFICATION C049XX
(SEE ORDER CODE FOR WIRE GAUGE)

CONTACT No.	WIRE COLOUR
1	BLACK
2	BROWN
3	RED
4	ORANGE
5	YELLOW
6	GREEN
7	BLUE
8	VIOLET
9	GREY
10	WHITE

WIRE COLOURS REPEAT IN ABOVE ORDER FOR
CONNECTOR ASSEMBLIES OVER 10 CONTACTS.

- NOTES:
- CABLE ASSEMBLIES WILL BE PACKED IN BAGS.
 - FOR COMPLETE SPECIFICATION, SEE COMPONENT SPECIFICATION C005XX AND C049XX (LATEST ISSUES).

DIMENSION	MEASUREMENT
DIM 'A'	TOTAL No. OF CONTACTS - 2.00
DIM 'B'	TOTAL No. OF CONTACTS + 2.00
DIM 'C'	(TOTAL No. OF CONTACTS / 2) + 3.15 MAX

EXAMPLE PART No. :
6 CONTACT CONNECTOR WITH 450mm OF 30AWG WIRE =
M80-FC50668L0-0450L
26 CONTACT CONNECTOR WITH 150mm OF 26AWG WIRE =
M80-FC32668L0-0150L

ORDER CODE: M80-FCXXX68L0-XXXXL

WIRE GAUGE: _____
 1 = 22AWG (LARGE BORE)
 2 = 24AWG (SMALL BORE)
 3 = 26AWG (SMALL BORE)
 4 = 28AWG (SMALL BORE)
 5 = 30AWG (EXTRA SMALL BORE)

DIM 'D' LENGTH: _____
 0060 = 60mm MIN
 9999 = 9999mm MAX
 (SEE TABLE FOR EXAMPLES)

TOTAL No. OF CONTACTS: _____
 04, 06, 08, 10, 12, 14,
 16, 18, 20, 26, 34

RTP	4	03.10.22	31904
NAME	ISS.	DATE	CN/CO
APPROVED: R.PORTLOCK			
CHECKED: M.RUDKIN			
DRAWN: F.MCGOWAN			
CUSTOMER REF.:			
ASSEMBLY DRG:			



THIS DRAWING AND ANY
INFORMATION OR DESCRIPTIVE
MATTER SET OUT HEREON ARE
CONFIDENTIAL AND COPYRIGHT
PROPERTY OF THE HARWIN
GROUP AND MUST NOT BE
DISCLOSED, LOANED, COPIED
OR USED FOR MANUFACTURING,
TENDERING OR FOR ANY
OTHER PURPOSE WITHOUT
THEIR WRITTEN PERMISSION.

TOLERANCES
 X. = ±1mm
 X.X = ±0.50mm
 X.XX = ±0.20mm
 X.XXX = ±0.01mm
 ANGLES = ±5°
 UNLESS STATED

MATERIAL: SEE ABOVE
 FINISH: SEE ABOVE
 S/AREA: mm²

TITLE:
DATAMATE L-TEK FEMALE
SINGLE-ENDED CABLE ASSEMBLY
 DRAWING NUMBER:
M80-FCXXX68L0-XXXXL
 SHT 2 OF 2