



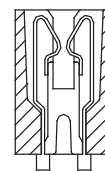
.050" [1.27 mm] Contact Centers, .610" [15.49 mm] Insulator Height, [PCI] Dip Solder/Card Extender/SMT

Industry Standard Part

SPECIFICATIONS

- Accommodates .062" ± .008" [1.57 mm ± 0.20 mm] PC board
- PPS or PA9T insulator
- Molded-in key available
- High reliability/high cycle hairpin bellow contacts
- 1 Amp current rating per contact for contacts fully energized
- UL Flammability Rating: 94V-0

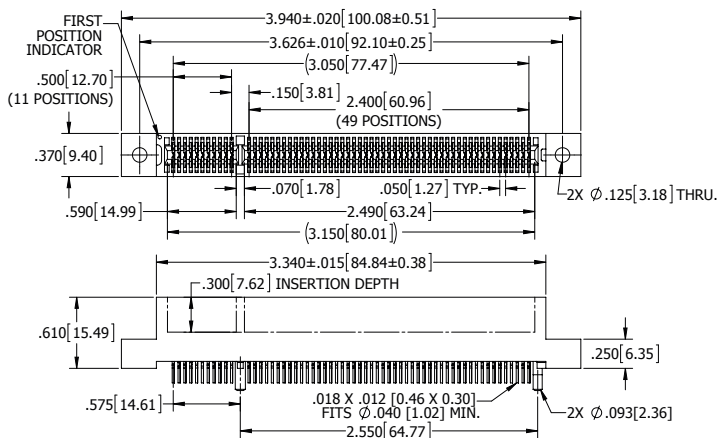
READOUT



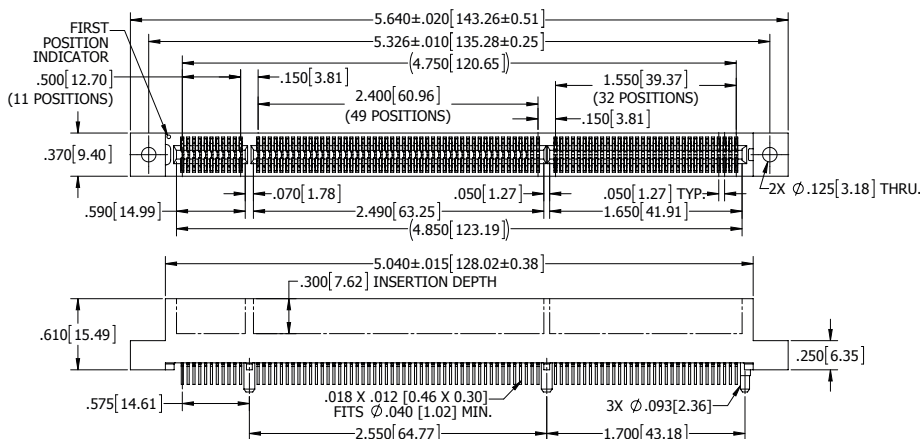
DUAL (D)

DIMENSIONS

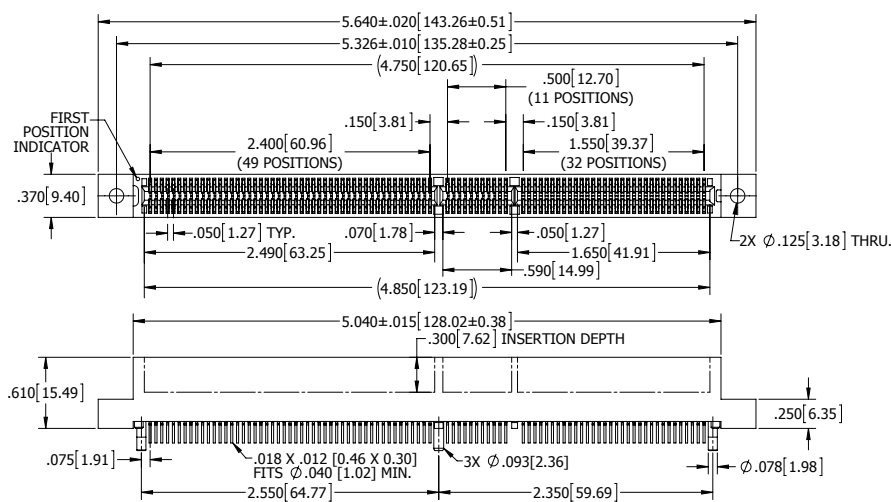
Dimensions in [] are in millimeters, all others are in inches.



GBB60DHHD-S578, 60 (11/49) POSITIONS, 32 BIT, 3.3 OR 5 VOLT



GBB92DHHD-S330, 92 (11/49/32) POSITIONS, 64 BIT, 3.3 VOLT



GBB92DHHD-S378, 92 (49/11/32) POSITIONS, 64 BIT, 5 VOLT



.050" [1.27 mm] Contact Centers, .610" [15.49 mm] Insulator Height, [PCI] Dip Solder/Card Extender/SMT

Industry Standard Part

High Density Card Edge

PART NUMBER OPTIONS

MATERIALS (INSULATOR/CONTACT)

- G = PA9T/Phosphor Bronze
- R = PPS/Phosphor Bronze
- J = PA9T/Beryllium Copper
- A = PPS/Beryllium Copper

Refer to Page 7 for Operating/Processing Temperatures

CONTACT FINISH - RoHS Compliant

All platings are Lead Free and have .000050" Nickel underplate

Contact Surface	Termination
B = .000010" Gold	.000100" Pure Tin, Matte
C = .000030" Gold	.000100" Pure Tin, Matte

CONTACT CENTERS

B = .050" [1.27 mm]

NUMBER OF CONTACT POSITIONS

- *60 = 11/49 (32 Bit, 3.3 or 5 Volt)
- 92 = 11/49/32 (64 Bit, 3.3 Volt)
- 92 = 49/11/32 (64 Bit, 5 Volt)

READOUT

D = Dual

G B B 60 D HH D - S578

MODIFICATION (Consult Factory)

PCI WITH GUIDE POSTS

- *-S578 = 60 (11/49) Positions (32 Bit, 3.3 or 5 Volt)
- S330 = 92 (11/49/32) Positions (64 Bit, 3.3 Volt)
- S378 = 92 (49/11/32) Positions (64 Bit, 5 Volt)

PCI WITHOUT GUIDE POSTS

- *-S621 = 60 (11/49) Positions (32 Bit, 3.3 or 5 Volt)
- S329 = 92 (11/49/32) Positions (64 Bit, 3.3 Volt)
- S250 = 92 (49/11/32) Positions (64 Bit, 5 Volt)

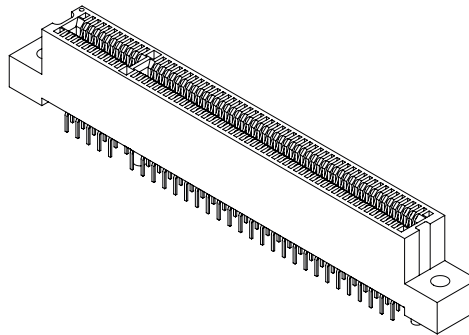
MOUNTING STYLE

- D = Flush Mounting
- N = No Mounting
- T = Flush Mounting With Threaded Insert
- Q = Straddle Mount
(Card Extender Only - Consult Factory)
- R = Metal Board lock

TERMINATION TYPE

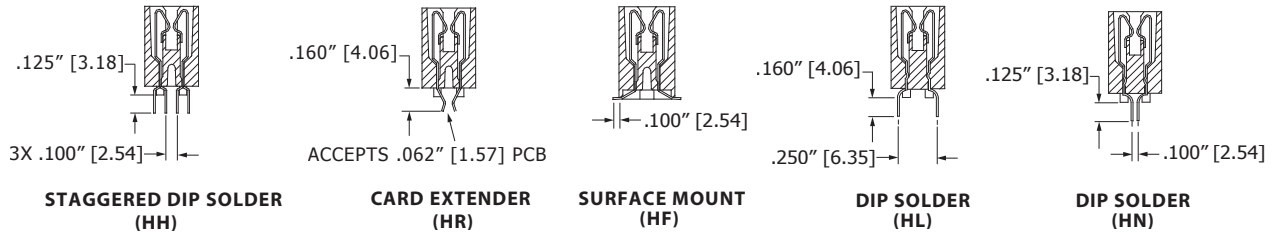
- HH = Staggered Dip Solder
- HR = Card Extender
- HF = Surface Mount
- HL = .250" [6.35 mm] X .160" [4.06 mm] Dip Solder
- HN = .125" [3.18 mm] X .100" [2.54 mm] Dip Solder

*Turn connector or board 180° for 3.3 or 5 Volt



FOR PC BOARD LAYOUTS REFER TO www.sullinscorp.com

TERMINATION TYPE



MOUNTING STYLE

