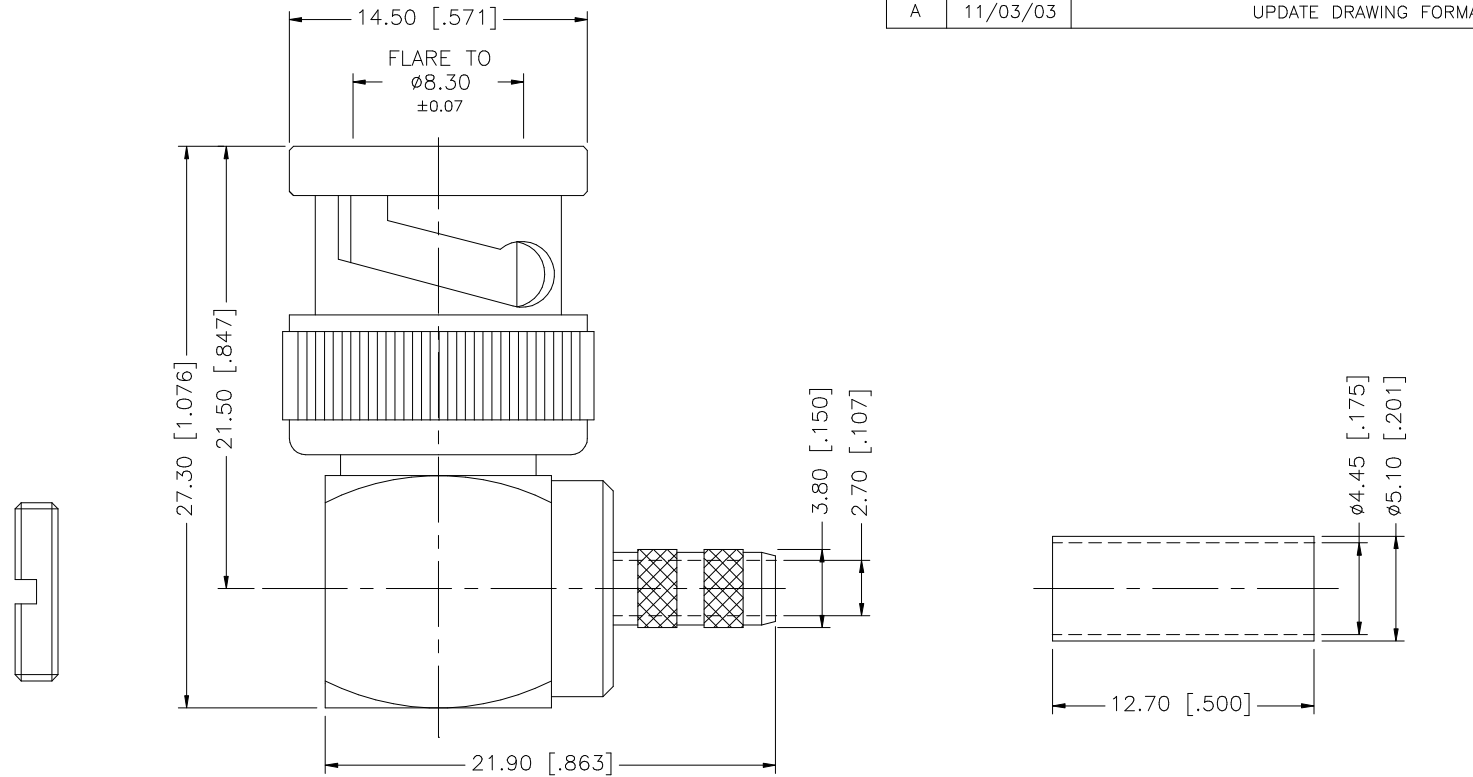


REV.	DATE	DESCRIPTION
NC	04/16/98	INITIAL RELEASE
A	11/03/03	UPDATE DRAWING FORMAT



NOTE:

1. CRIMPED FERRULE
HEX CRIMP SIZE .178"
2. CONTACT PIN TO SOLDER

RECOMMENDED
CABLE STRIPPING DIM'S

8					<small>UNLESS OTHERWISE SPECIFIED DIMENSIONS ARE IN MILLIMETERS. DIMENSIONS IN [] ARE IN INCHES AND FOR CUSTOMER REFERENCE ONLY.</small> <small>UNLESS OTHERWISE SPECIFIED TOLERANCES FOR MILLIMETERS ARE:</small> 0.5 - 8mm ± 0.20mm 8 - 30mm ± 0.40mm 30 - 120mm ± 0.50mm <small>UNLESS OTHERWISE SPECIFIED TOLERANCES FOR INCHES ARE:</small> .020 - .315 = ± 0.007" .315 - 1.180 = ± 0.015" 1.180 - 4.724 = ± 0.020"	APPROVALS	DATE	<h1 style="color: blue; text-align: center;">Amphenol Connex</h1>			
7				DRAWN		G.R.S.	11/03/03				
6				CHECKED				PART DESCRIPTION BNC R/A CRIMP PLUG (FOR BELDEN 8218) RG-180/U, 195/U, 122/U CABLE - 75ohm			
5	NUT	BRASS	NICKEL	1		ISSUED					
4	FERRULE	COPPER	NICKEL	1	SHEET	1 OF 1	DWG. NO. 112588.DWG REV. A SIZE A SCALE NA				
3	CONTACT PIN	BRASS	GOLD	1							CAD FILE C:/112/112588.DWG
2	INSULATOR	TEFLON	NATURAL	1			DO NOT SCALE DRAWING				
1	BODY	BRASS	NICKEL	1							
	DESCRIPTION	MATERIAL	FINISH	QTY							