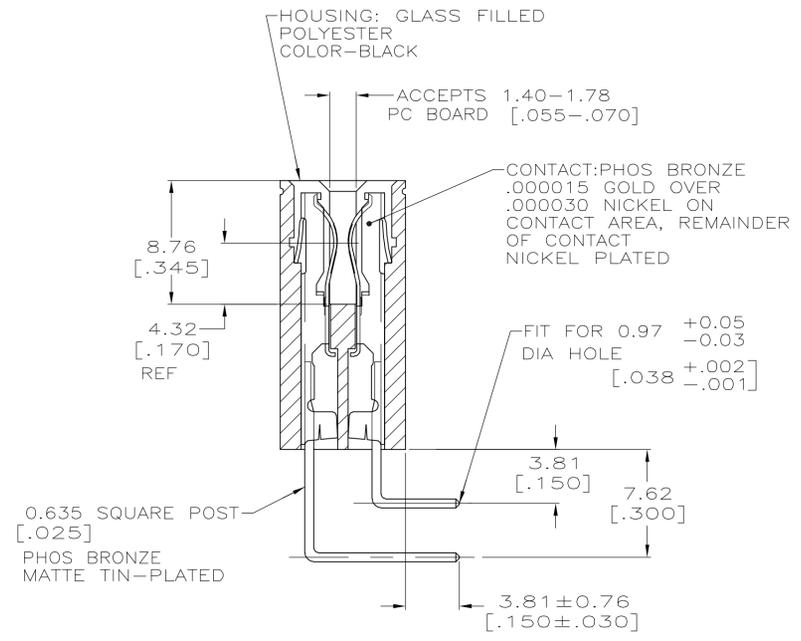


PCB FOOT PRINT DETAIL



30	5530218-6
NO OF POSITIONS	PART NUMBER

THIS DRAWING IS A CONTROLLED DOCUMENT.		DWN: AL FRANTUM 19 AUG 05		Tyco Electronics Corporation Harrisburg, Pa 17105-3608	
DIMENSIONS: INCHES		CHK: AL FRANTUM 19 AUG 05		NAME: AL FRANTUM	
TOLERANCES UNLESS OTHERWISE SPECIFIED:		PRODUCT SPEC		CONNECTOR ASSEMBLY, TWIN LEAF WITH .025 SQ POST, RIGHT ANGLE .100 CENTERS	
0 PLC ± -		APPLICATION SPEC		RESTRICTED TO	
1 PLC ± -		MATERIAL: SEE CALLOUT		SIZE: A1	
2 PLC ± 0.13 [.005]		WEIGHT: -		CAGE CODE: 00779	
3 PLC ± -		CUSTOMER DRAWING		DRAWING NO: 5530218	
4 PLC ± -		SCALE: 4:1		SHEET: 1 OF 1	
ANGLES ± 2		REV: A			
FINISH: SEE CALLOUT					