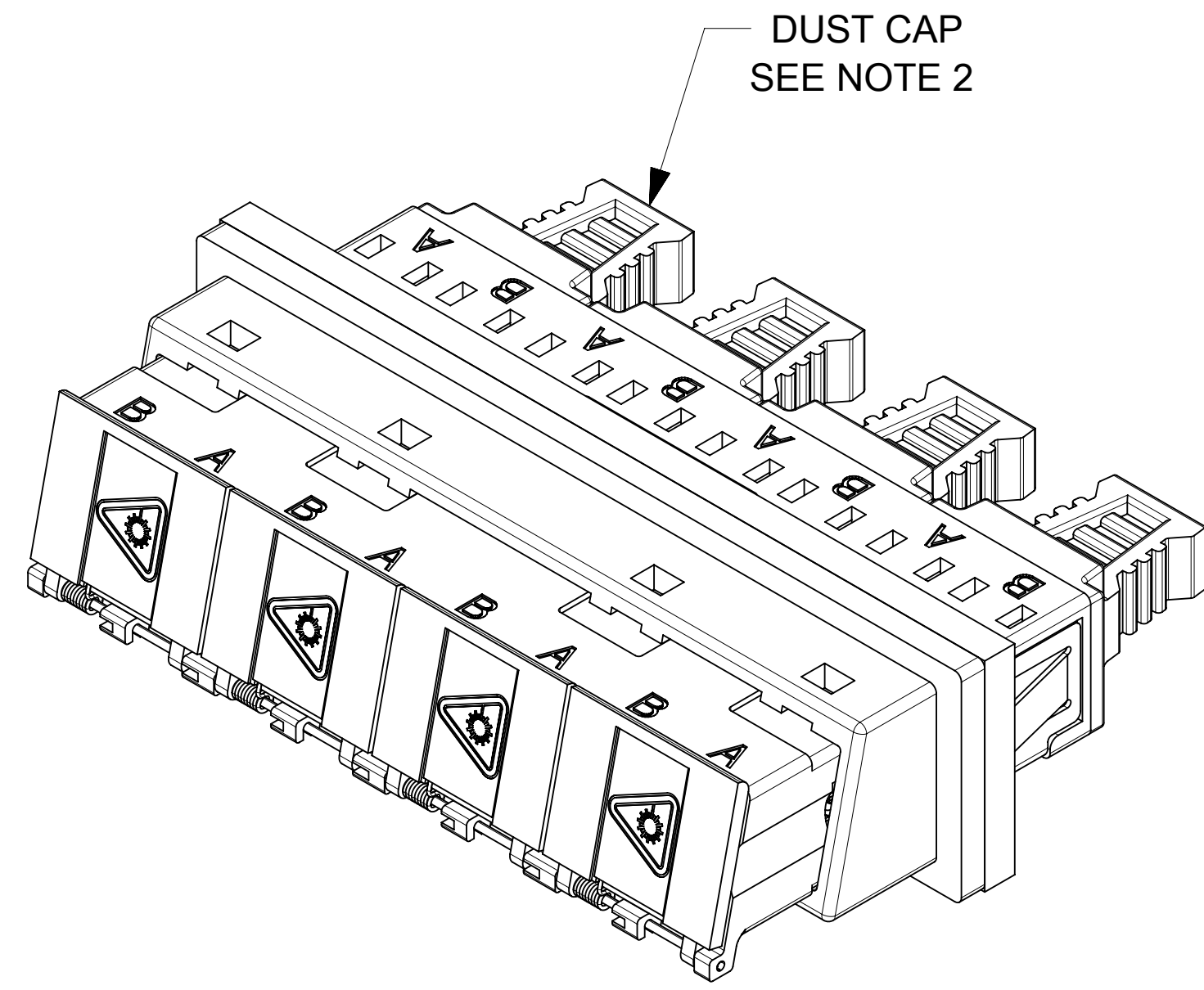
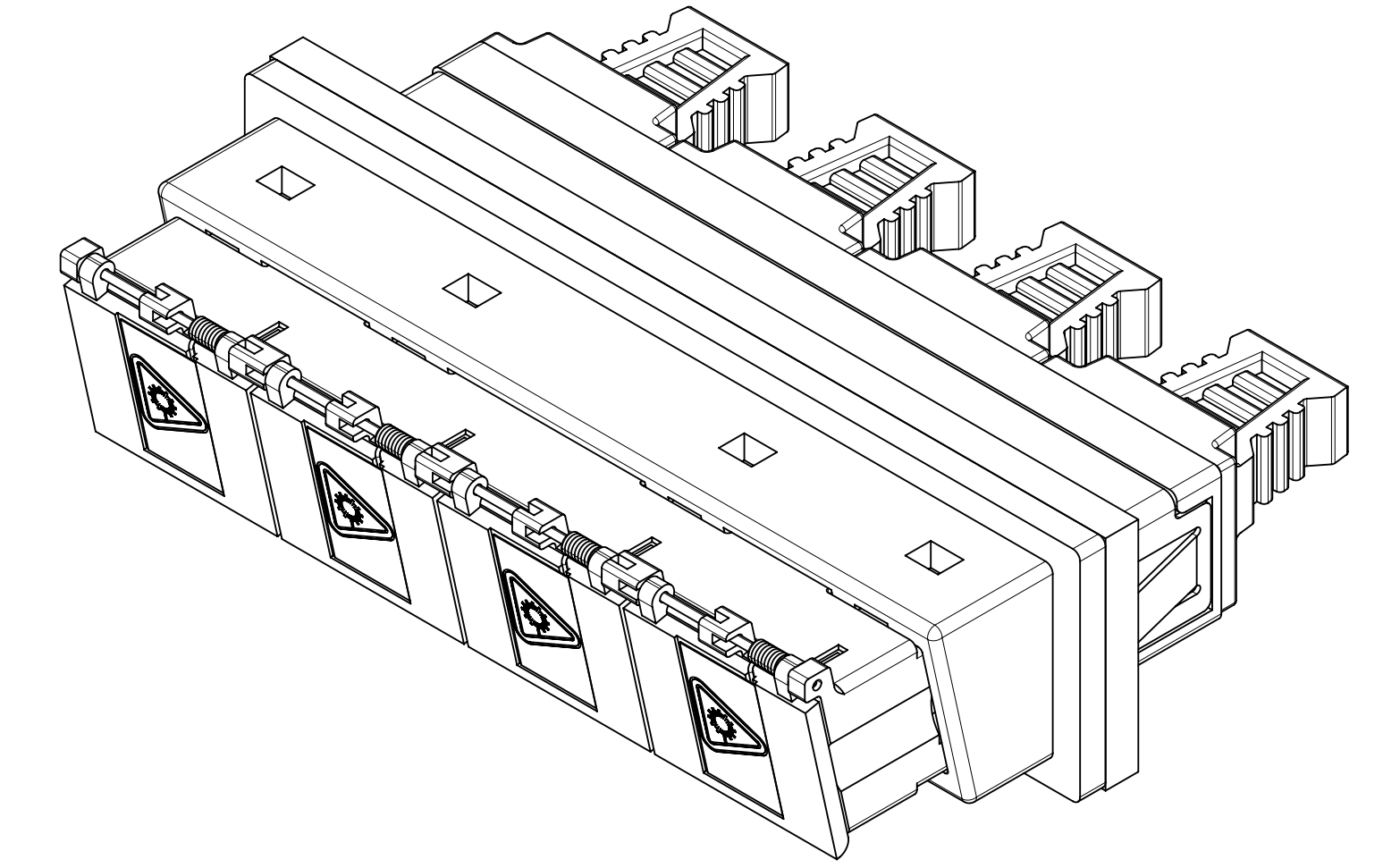
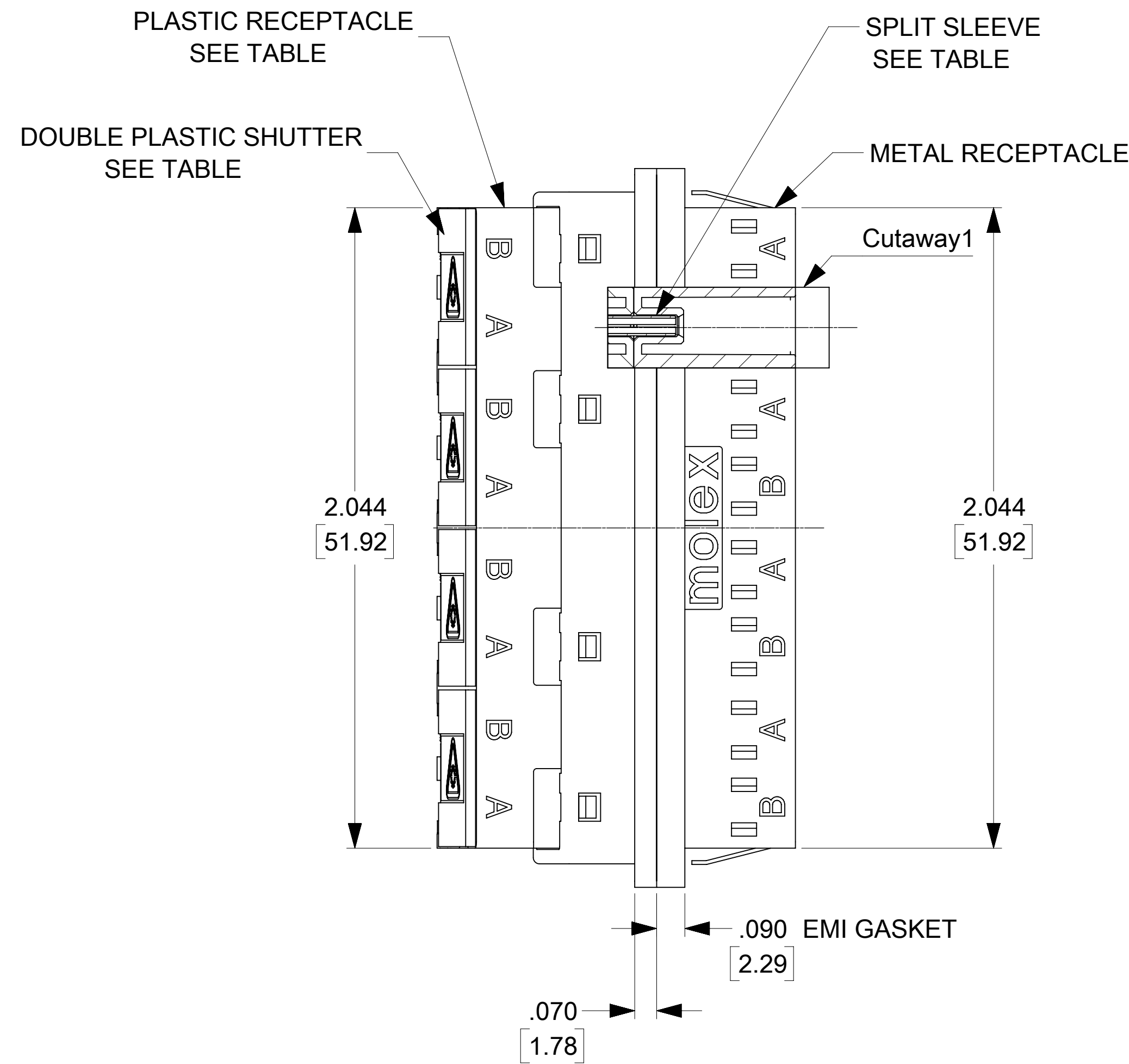


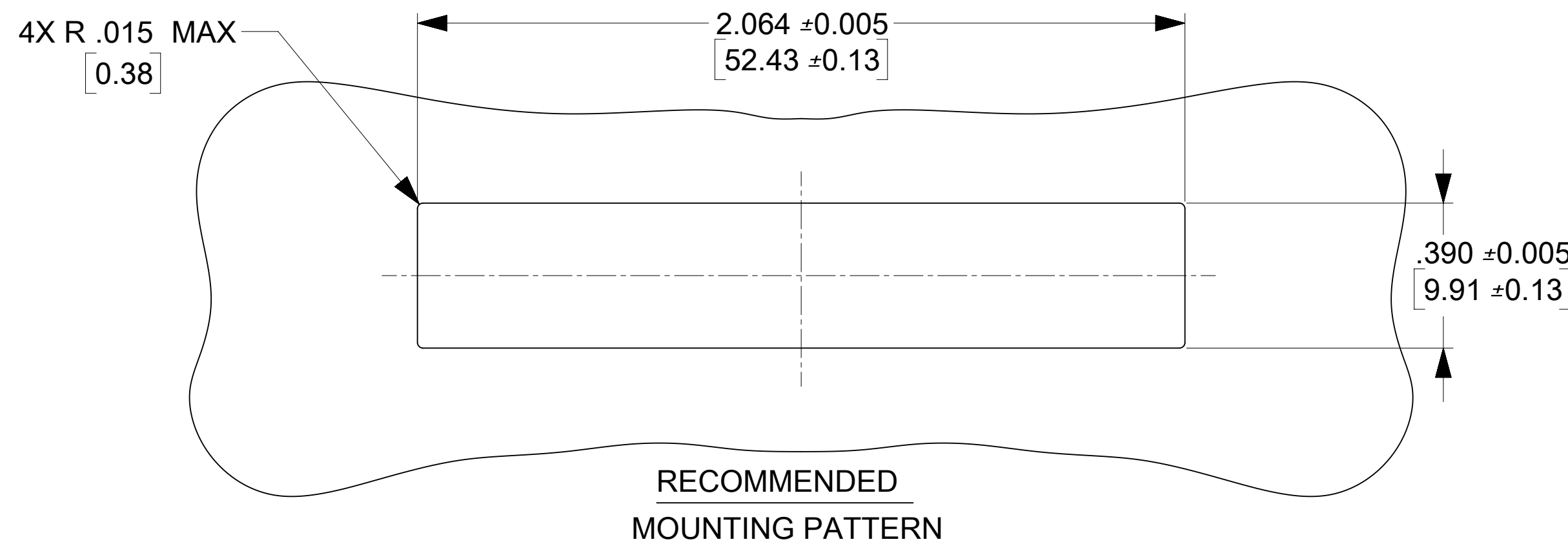
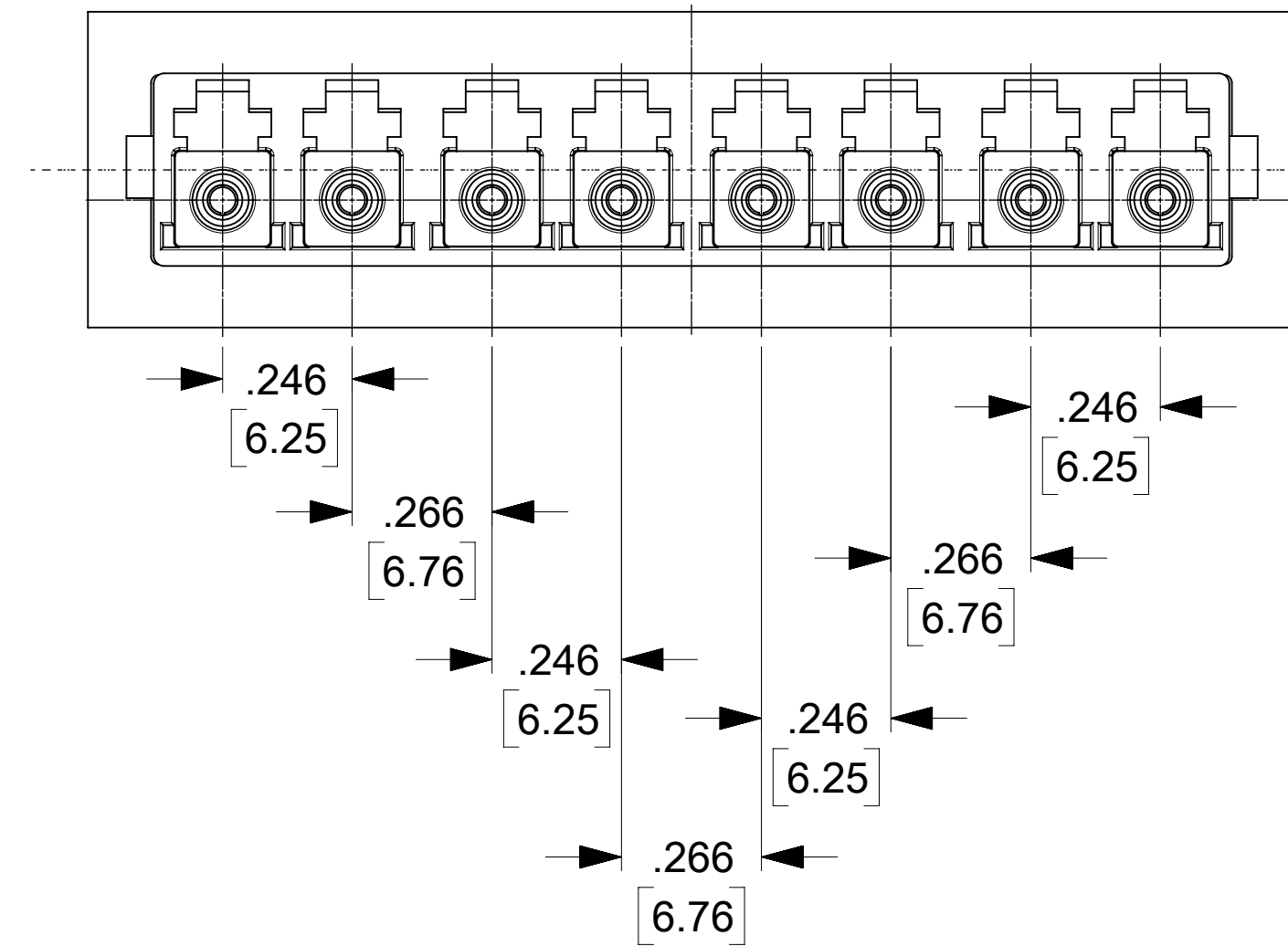
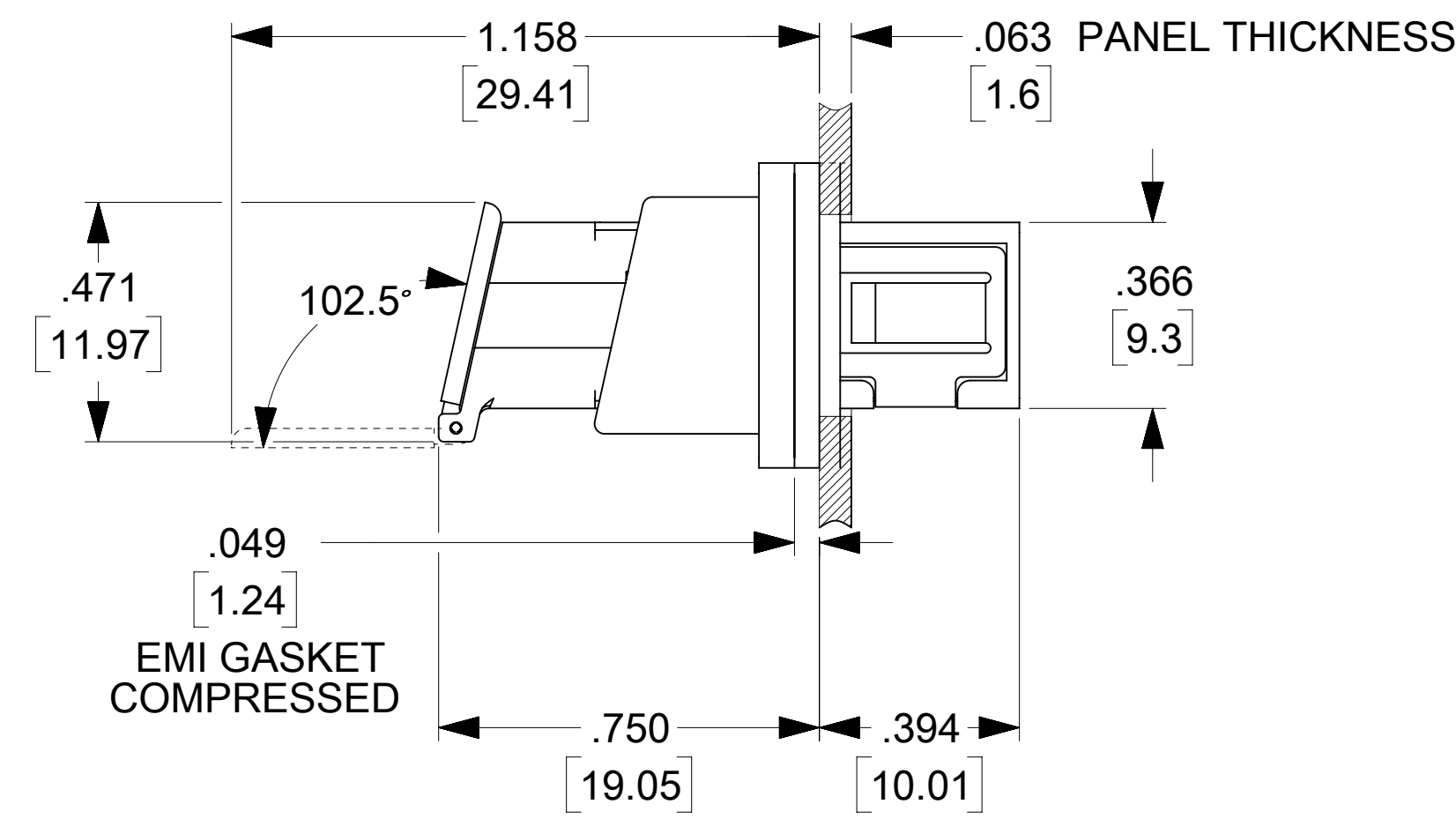
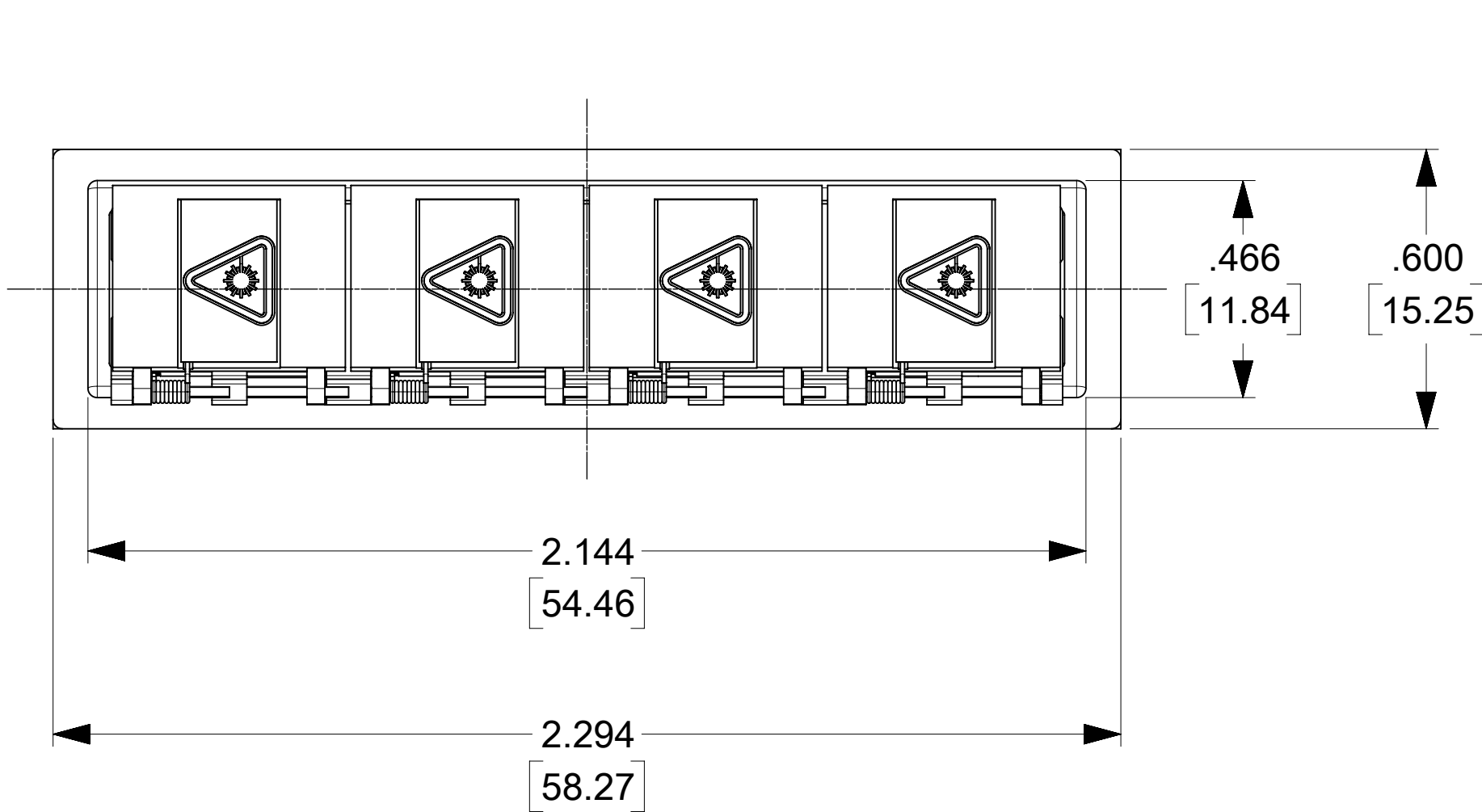
LC 8 PORT ADAPTER P/N	PLASTIC RECEPTACLE COLOR	DOUBLE PLASTIC SHUTTER COLOR	SPLIT SLEEVE MATERIAL
106121-0950	BLUE	BLUE	CERAMIC
106121-0952	BEIGE	BEIGE	PHOSPHOR BRONZE
106121-0953	AQUA	AQUA	



ISO VIEW 2



ISO VIEW 2



NOTES;

1. ALL DIMENSIONS ARE FOR REFERENCE.
2. DUST CAPS SHOWN IN ISOMETRIC VIEWS ONLY.

THIS DRAWING CONTAINS INFORMATION THAT IS PROPRIETARY TO MOLEX ELECTRONIC TECHNOLOGIES, LLC AND SHOULD NOT BE USED WITHOUT WRITTEN PERMISSION											
DIMENSION UNITS IN/MM		SCALE 3:1		CURRENT REV DESC:							
GENERAL TOLERANCES (UNLESS SPECIFIED)				EC NO: 624787				molex			
4 PLACES ±		±		DRWN: VLOKESHA 2019/06/13							
3 PLACES ±		±		CHK'D: GGA 2019/11/11				LC 8 PORT EMI ADAPTER SNAP MOUNT WITH SHUTTERS			
2 PLACES ±		±		APPR: WCHEN 2019/11/11				PRODUCT CUSTOMER DRAWING			
1 PLACE ±		±		INITIAL REVISION:				DOCUMENT NUMBER			
0 PLACES ±		±		DRWN: YBELENIY 2011/10/05				DOC TYPE			
ANGULAR TOL ± °		°		APPR: WCHEN 2012/02/06				DOC PART			
DRAFT WHERE APPLICABLE MUST REMAIN WITHIN DIMENSIONS				THIRD ANGLE PROJECTION		DRAWING D-SIZE		SERIES 106121		MATERIAL NUMBER SEE TABLE	
						CUSTOMER GENERAL MARKET		REVISION A1		SHEET NUMBER 1 OF 1	