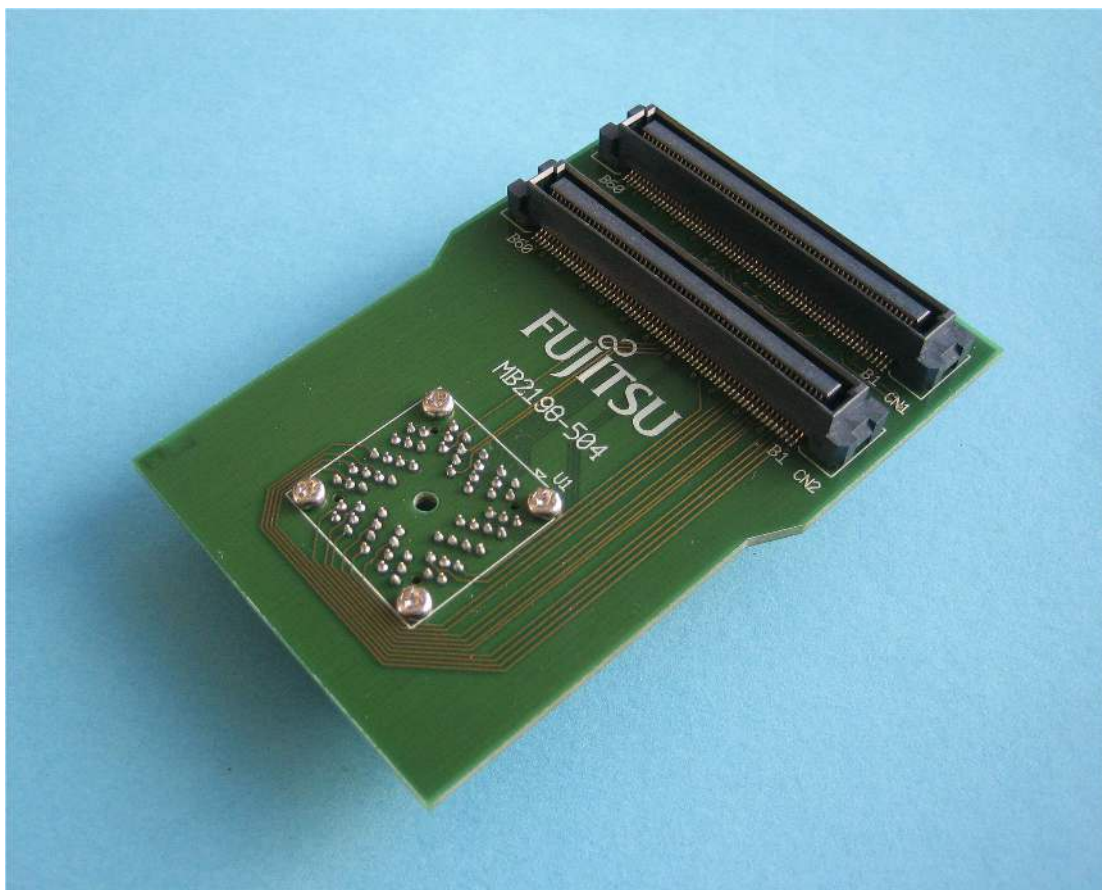


# MB96300 FAMILY HEADER BOARD MB2198-504

## USER GUIDE



## Revision History

Date	Issue
2007-Mar-27	V1.0 HLi, First Release
2007-Apr-11	V1.1 HLi, remove MCU before using header board info added

This document contains 10 pages.

## Warranty and Disclaimer

To the maximum extent permitted by applicable law, Fujitsu Microelectronics Europe GmbH restricts its warranties and its liability for the **MB2198-504 Header Board and all its deliverables** (e.g. software include or header files, application examples, target boards, evaluation boards, engineering samples of IC's etc.), its performance and any consequential damages, on the use of the Product in accordance with (i) the terms of the License Agreement and the Sale and Purchase Agreement under which agreements the Product has been delivered, (ii) the technical descriptions and (iii) all accompanying written materials. In addition, to the maximum extent permitted by applicable law, Fujitsu Microelectronics Europe GmbH disclaims all warranties and liabilities for the performance of the Product and any consequential damages in cases of unauthorised decompiling and/or reverse engineering and/or disassembling. **Note, the MB2198-504 Header Board and all its deliverables are intended and must only be used in an evaluation laboratory environment.**

1. Fujitsu Microelectronics Europe GmbH warrants that the Product will perform substantially in accordance with the accompanying written materials for a period of 90 days from the date of receipt by the customer. Concerning the hardware components of the Product, Fujitsu Microelectronics Europe GmbH warrants that the Product will be free from defects in material and workmanship under use and service as specified in the accompanying written materials for a duration of 1 year from the date of receipt by the customer.
2. Should a Product turn out to be defect, Fujitsu Microelectronics Europe GmbH's entire liability and the customer's exclusive remedy shall be, at Fujitsu Microelectronics Europe GmbH's sole discretion, either return of the purchase price and the license fee, or replacement of the Product or parts thereof, if the Product is returned to Fujitsu Microelectronics Europe GmbH in original packing and without further defects resulting from the customer's use or the transport. However, this warranty is excluded if the defect has resulted from an accident not attributable to Fujitsu Microelectronics Europe GmbH, or abuse or misapplication attributable to the customer or any other third party not relating to Fujitsu Microelectronics Europe GmbH.
3. To the maximum extent permitted by applicable law Fujitsu Microelectronics Europe GmbH disclaims all other warranties, whether expressed or implied, in particular, but not limited to, warranties of merchantability and fitness for a particular purpose for which the Product is not designated.
4. To the maximum extent permitted by applicable law, Fujitsu Microelectronics Europe GmbH's and its supplier's liability are restricted to intention and gross negligence.

### **NO LIABILITY FOR CONSEQUENTIAL DAMAGES**

**To the maximum extent permitted by applicable law, in no event shall Fujitsu Microelectronics Europe GmbH and its suppliers be liable for any damages whatsoever (including but without limitation, consequential and/or indirect damages for personal injury, assets of substantial value, loss of profits, interruption of business operation, loss of information, or any other monetary or pecuniary loss) arising from the use of the Product.**

Should one of the above stipulations be or become invalid and/or unenforceable, the remaining stipulations shall stay in full effect

## 0 Contents

<b>REVISION HISTORY .....</b>	<b>2</b>
<b>WARRANTY AND DISCLAIMER .....</b>	<b>3</b>
<b>0 CONTENTS.....</b>	<b>4</b>
<b>1 OVERVIEW.....</b>	<b>5</b>
Abstract.....	5
<b>2 INSTALLATION .....</b>	<b>6</b>
<b>3 DIMENSIONS.....</b>	<b>7</b>
3.1 MB2198-504.....	7
3.2 YQ-SOCKET064SBN.....	8
3.3 YQ-PACK064SB .....	8
<b>4 INFORMATION IN THE WWW.....</b>	<b>9</b>

# 1 Overview

## **Abstract**

The MB2198-504 header board was built for the FTP-64P-M23 (LQFP) package to connect the MB2198-500 with the target-system.

Related documents such as MB96300 Series Hardware Manual are available and should always be use in addition to this manual.

## 2 Installation

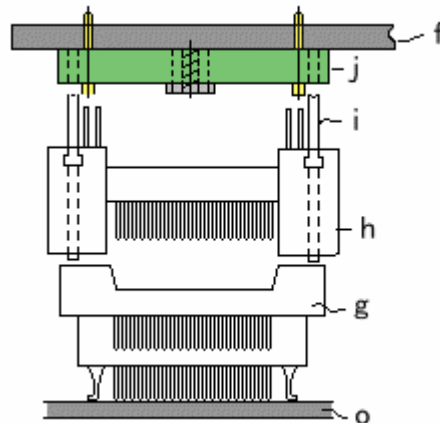
- Remove carefully the board from the shipping carton.
- Check first if there are any damages.
- Check the contents of the box.

1x	MB2198-504
1x	NQPACK064SB
1x	HQPACK064SB140
1x	YQPACK064SB
1x	User guide 960006-10

Press **carefully and smooth** the YQPACK064SB in the YQSOCKET064SBN

- **Remove MCU out of the socket (NQ-PACK) before using the header board**

**The connection between YQ-SOCKET064SBN and YQ-PACK064SB is only once pluggable, since otherwise the pins can break off.**

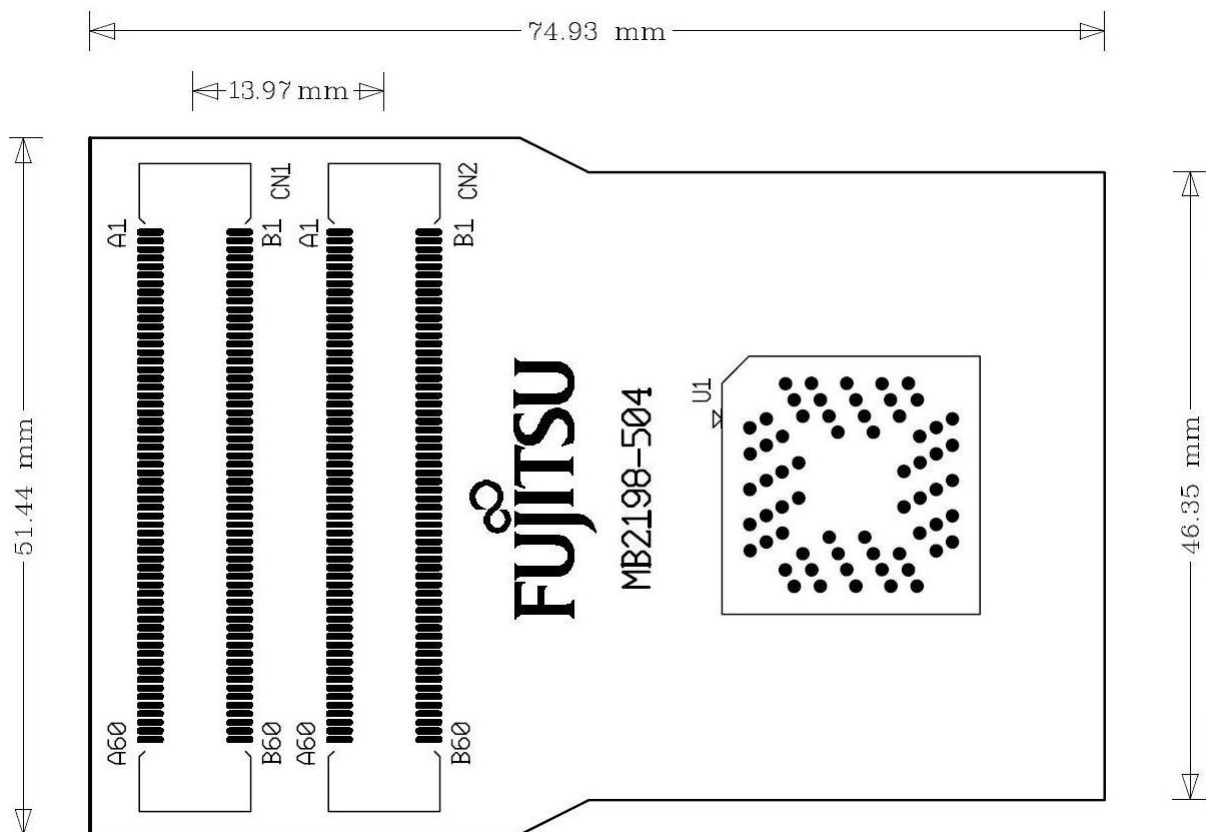


h: YQPACK064SB  
g: NQPACK064SB  
o: Target Board

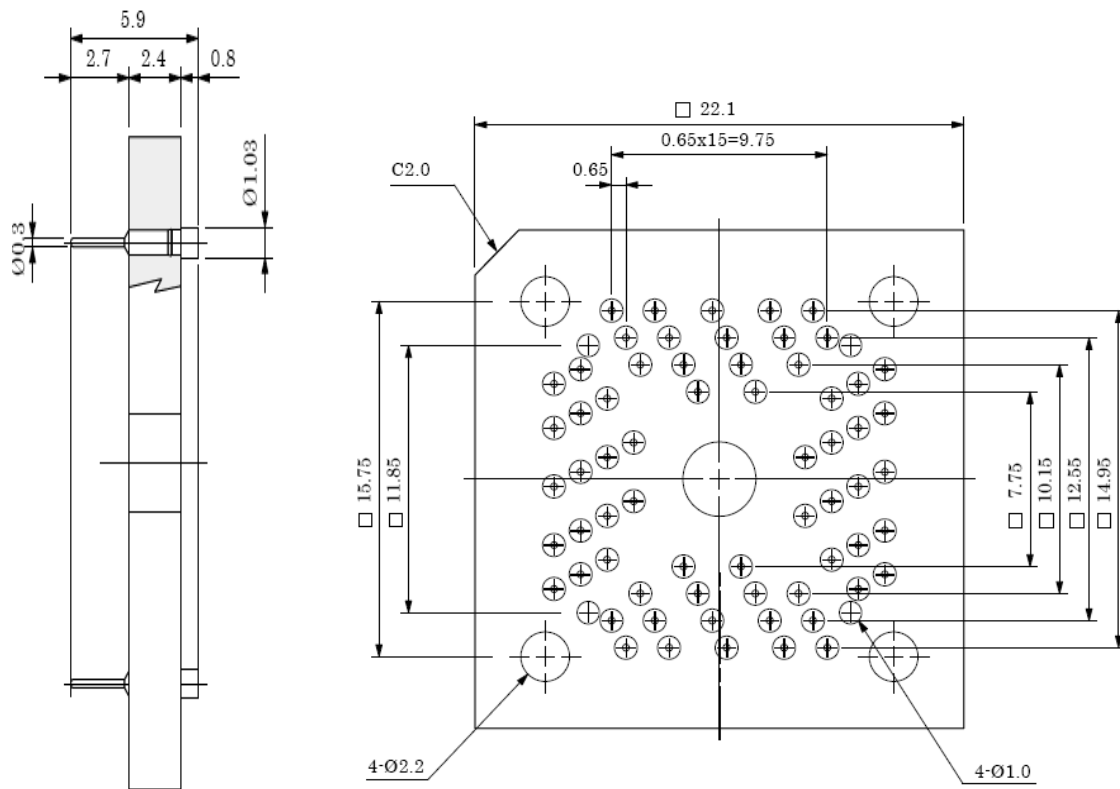
f: MB2198-504  
j: YQSOCKET064SBN  
i: YQ-Guide

### 3 Dimensions

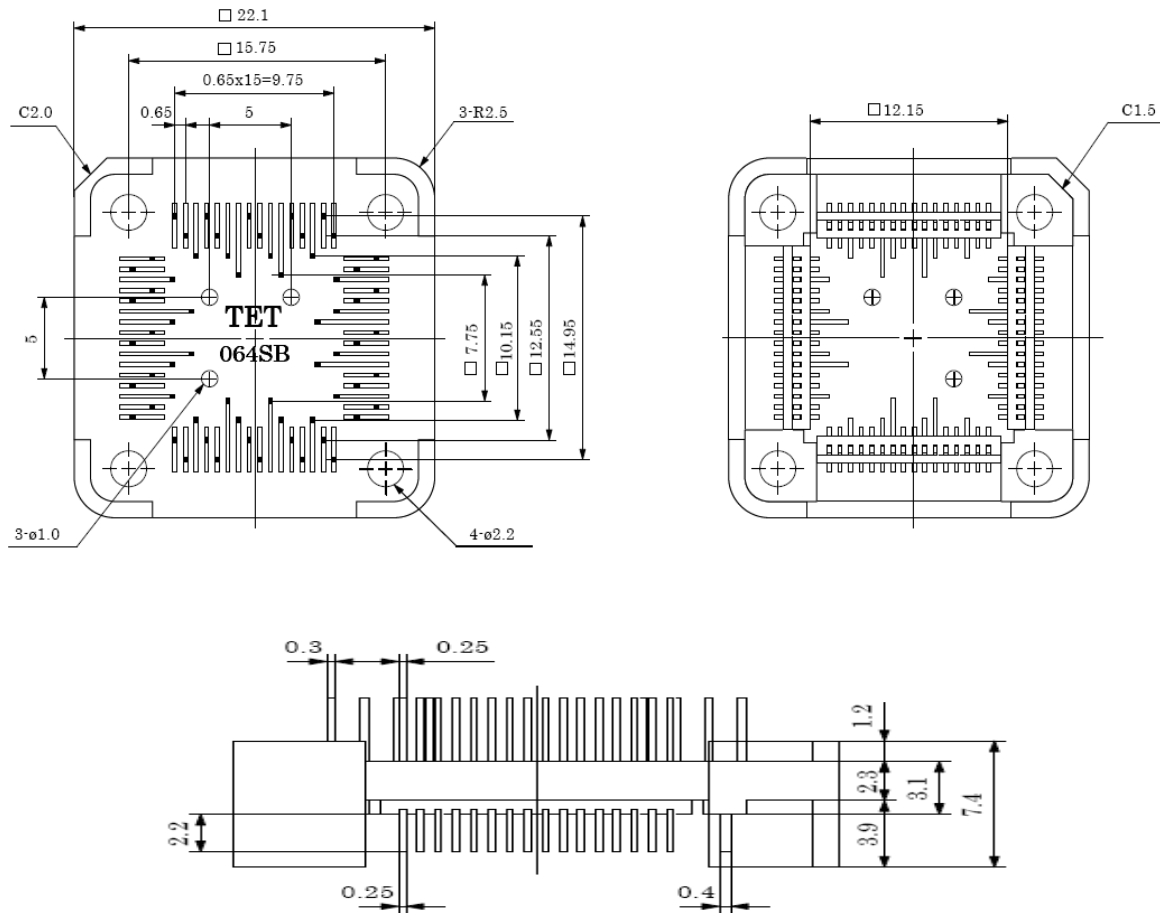
#### 3.1 MB2198-504



### 3.2 YQ-SOCKET064SBN



### 3.3 YQ-PACK064SB





## 4 Information in the WWW

Information about FUJITSU MICROELECTRONICS Products can be found on the following Internet pages:

Microcontrollers (8-, 16- and 32bit), Graphics Controllers  
Datasheets and Hardware Manuals, Support Tools (Hard- and Software)

[http://mcu.emea.fujitsu.com/mcu\\_portal.htm](http://mcu.emea.fujitsu.com/mcu_portal.htm)

Linear Products: Power Management, A/D and D/A Converters

<http://www.fujitsu.com/emea/services/microelectronics>

Media Products: SAW filters, acoustic resonators and VCOs

<http://www.fujitsu.com/emea/services/microelectronics/saw>

For more information about FUJITSU MICROELECTRONICS

<http://www.fujitsu.com/emea/services/microelectronics>

# Recycling

## **Gültig für EU-Länder:**

Gemäß der Europäischen WEEE-Richtlinie und deren Umsetzung in landesspezifische Gesetze nehmen wir dieses Gerät wieder zurück.

Zur Entsorgung schicken Sie das Gerät bitte an die folgende Adresse:

Fujitsu Microelectronics Europe GmbH  
Warehouse/Disposal  
Monzastraße 4a  
63225 Langen

## **Valid for European Union Countries:**

According to the European WEEE-Directive and its implementation into national laws we take this device back.

For disposal please send the device to the following address:

Fujitsu Microelectronics Europe GmbH  
Warehouse/Disposal  
Monzastraße 4a  
63225 Langen