

PART NAME: KNOB SCALE: 1:1 DATE: 4/11/73 DR. BY NH

THIS DRAWING IS THE PROPERTY OF DAVIES MOLDING COMPANY, IS SUBMITTED SOLELY AS A DESIGN OR ENGINEERING PROJECT. WE ACCEPT NO RESPONSIBILITY WHATSOEVER FOR THE PRACTICAL APPLICATION OF THE PIECES MADE TO THIS DESIGN.

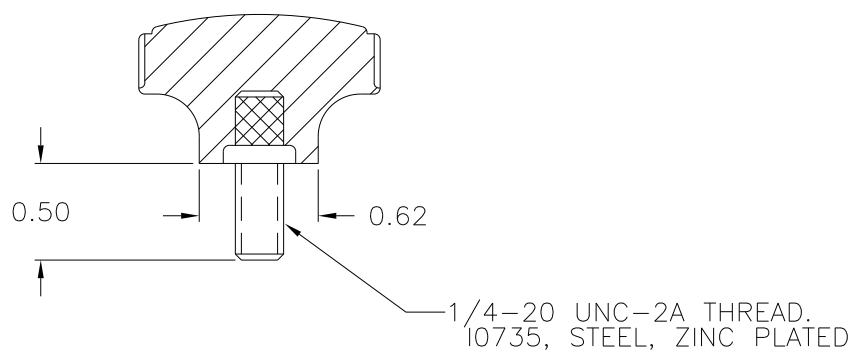
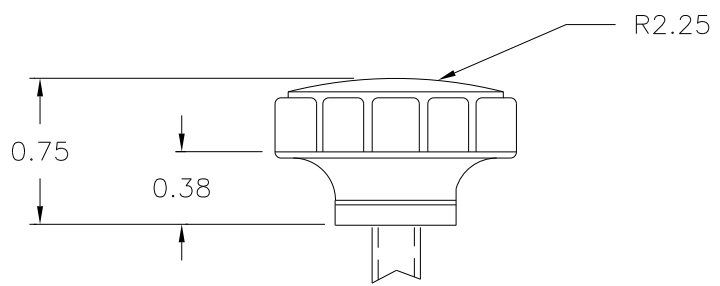
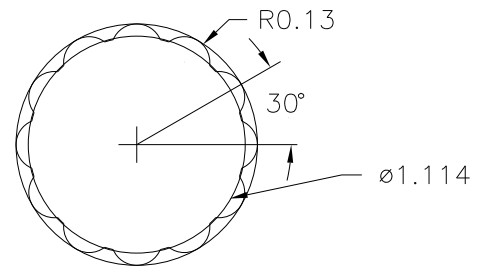


DESIGNERS & MANUFACTURERS OF KNOBS, HANDLES, CASES & CUSTOM PLASTIC COMPONENTS

P/N 3008FM

M^{NO.} 3008

CAVITY	3008
PLUNGER	3008
OUTER PIN	3008-28
INNER PIN	NONE
SHIMS	3008-A+B
INSERT	I0735



NOTE : TUBE (T0100) MUST BE INSTALLED ON ALL MOLDED PARTS

MATERIAL: G.P. PHENOLIC (B11)
COLOR: BLACK

TOLERANCES: UNLESS OTHERWISE SPECIFIED	DO NOT SCALE DRAWING			
DECIMALS: X.XXX ± .005 X.XX ± .015	MM: X.XX ± 0.15MM X.X ± 0.4MM	A	ADDED INNER & OUTER PINS, CORRECTED TOOLING BOX	TS 10/16/02
FRACTIONS ± 1/64	ANG. ± 1°	-	CAD/REDRAWN	HD 8/14/97
CHANGES				