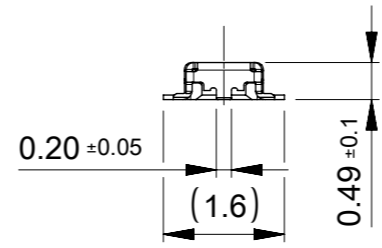
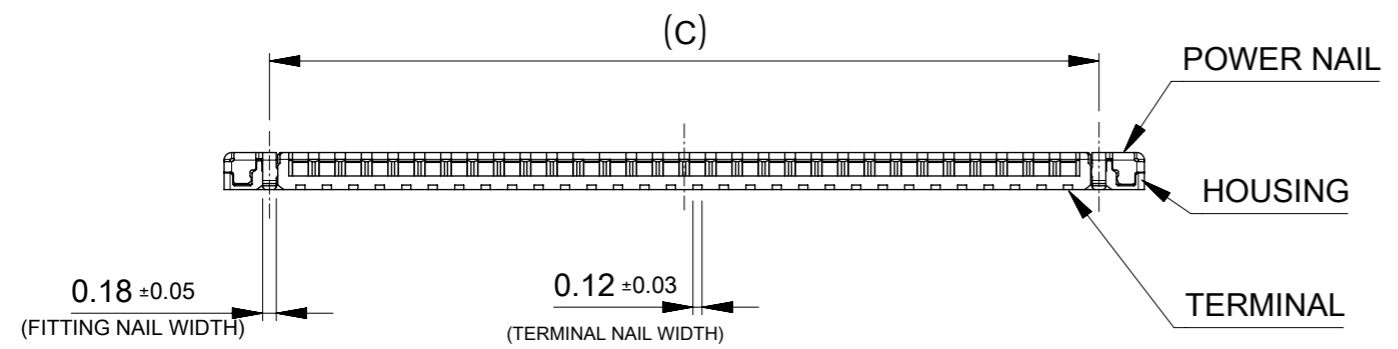
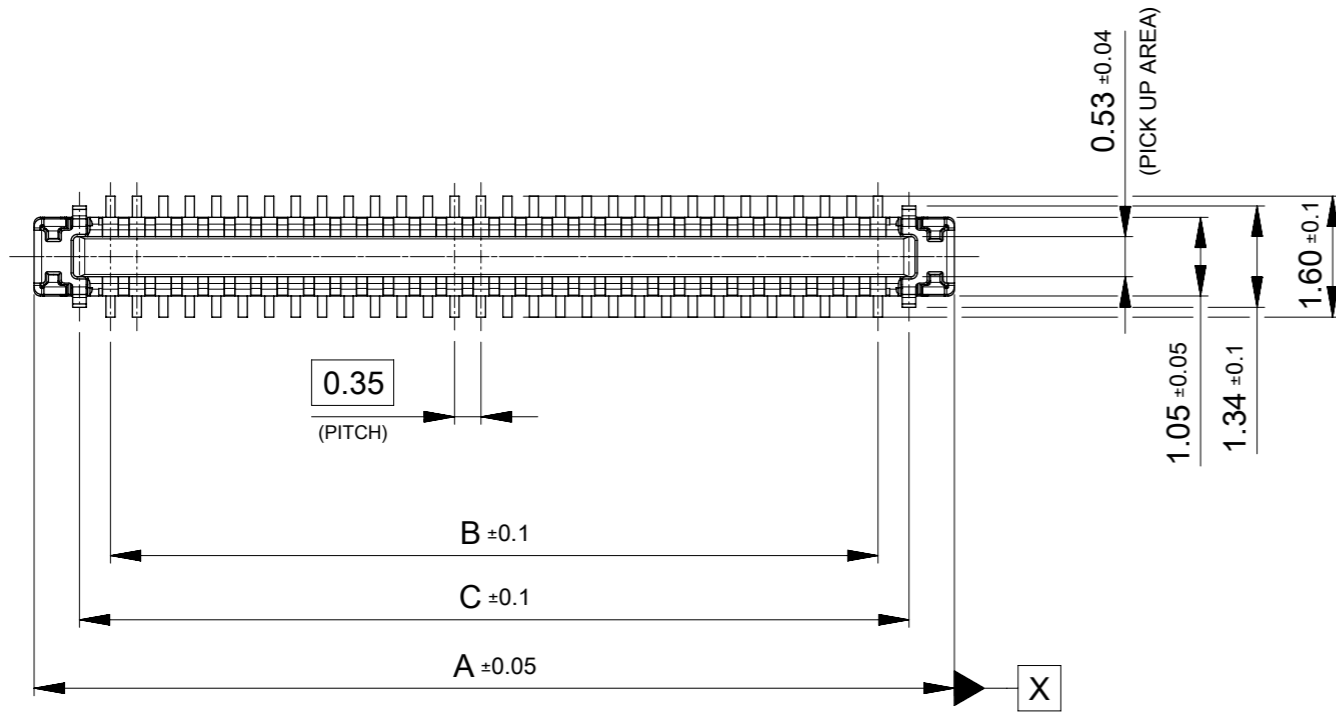


GENERAL DRAWING

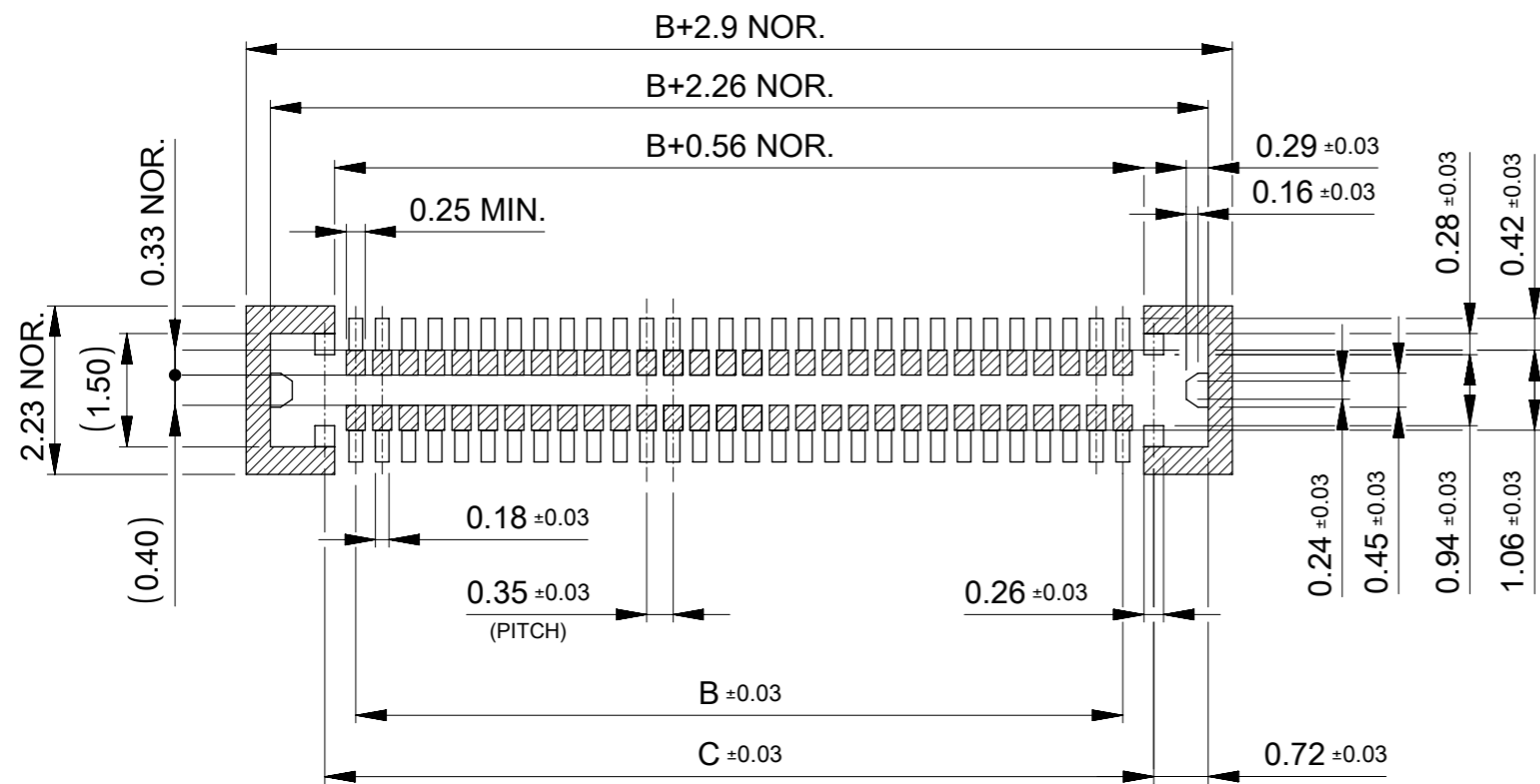


NOTES

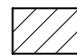
- MATERIAL  
HOUSING : LIQUID CRYSTAL POLIMER UL94V-0 (COLOR : BLACK)  
TERMINAL : COPPER ALLOY  
FITTING NAIL : COPPER ALLOY
- PLATING  
TERMINAL :  
CONTACT AREA : GOLD PLATING(0.1µm MINIMUM)  
SOLDER TAIL AREA : GOLD PLATING(0.05µm MINIMUM)  
UNDER PLATING : NICKEL OVERALL(1.0µm MINIMUM)  
\* DIVIED INTO PARTS THE GOLD PLATING OF THE CONTACT AND THE TAIL PART BY THE NICKEL PLATING.  
FITTING NAIL :  
CONTACT AREA :GOLD PLATING(0.1µm MINIMUM)  
SOLDER TAIL AREA : GOLD PLATING(0.05µm MINIMUM)  
UNDER PLATING : NICKEL OVERALL(1.0µm MINIMUM)  
\* DIVIED INTO PARTS THE GOLD PLATING OF THE CONTACT AND THE TAIL PART BY THE NICKEL PLATING.
- MATE WITH : 216700\*\*\*\*
- COPLANARITY : SHALL BE 0.08MAX. ON BOTH OF TERMINAL AND NAIL.  
AND 0.1 MAXIMUM AFTER REFLOW
- PROHIBITED AREA OF PATTERN WIRING AND SOLDER.  
(FOR EACH AREA, THE WIRING THAT TOUCHES ON THE SOLDER CAN BE ATTACHED, THEN COVERED WITH A FILM TO KEEP SOLDER OUT)

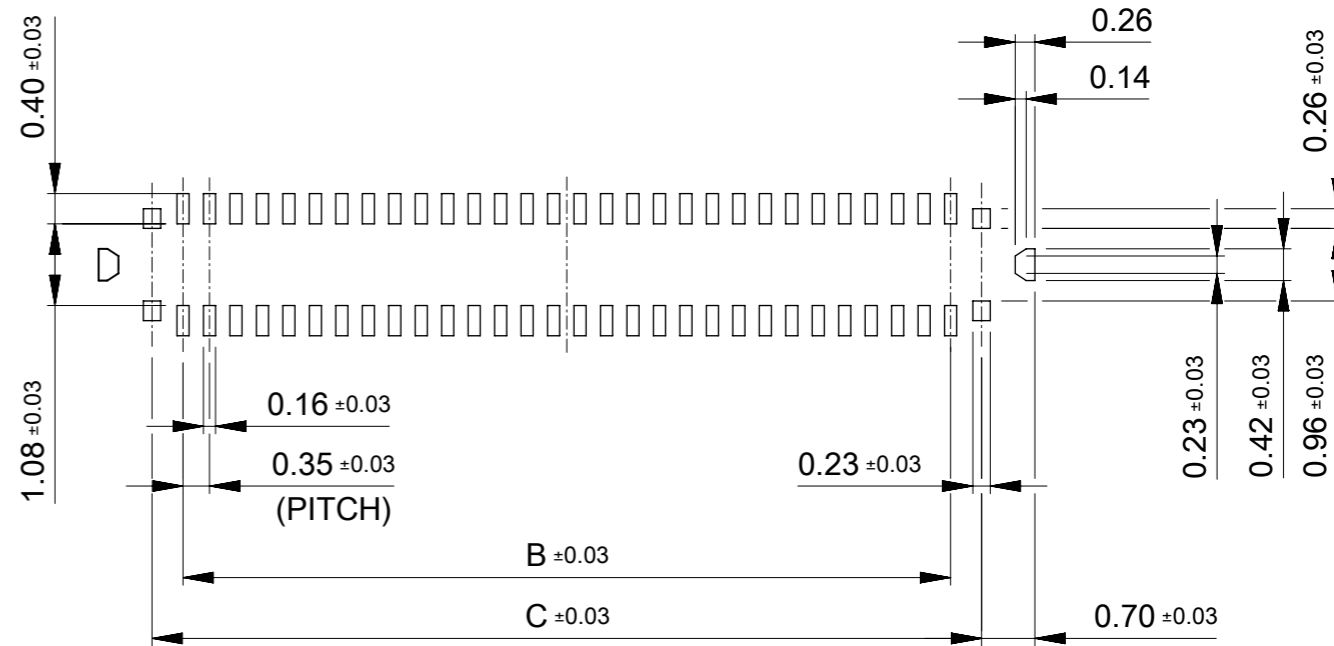
10.97	10.15	12.17	2167010609	---	O	60
9.92	9.10	11.12	2167010549	O	---	54
9.22	8.40	10.42	2167010509	O	---	50
7.47	6.65	8.67	2167010409	O	---	40
5.72	4.90	6.92	2167010309	---	O	30
4.67	3.85	5.87	2167010249	---	O	24
3.97	3.15	5.17	2167010209	O	---	20
2.22	1.40	3.42	2167010109	---	O	10
C	B	A	EMBOSSSED TAPE PACKAGE	HIGH VOL. TOOL	LOW VOL. TOOL	Ckts
ORDER No.			SAMPLE PREPARATION			
			O : TOOLED			
			□ : WORK PROCESS			
			--- : TOOLING TO BE CONFIRMED			
CONNECTOR SERIES No. : 2167010***						

FUNCTIONAL SYMBOLS	THIS DRAWING CONTAINS INFORMATION THAT IS PROPRIETARY TO MOLEX ELECTRONIC TECHNOLOGIES, LLC AND SHOULD NOT BE USED WITHOUT WRITTEN PERMISSION		CURRENT REV DESC:		<b>molex</b>
	DIMENSION UNITS	SCALE			
$\nabla_A = 0$	mm	10:1			0.35 BB CONN H=0.6 ACB6 PLUS PLUG ASSY
$\nabla_E = 0$	GENERAL TOLERANCES (UNLESS SPECIFIED)				
$\nabla_{E'} = 0$	ANGULAR TOL ± 1.0°				PRODUCT CUSTOMER DRAWING
DIVISIONAL SYMBOLS	4 PLACES	± 0.05	EC NO: 746141		
	3 PLACES	± 0.05	DRWN: DWLEE02 2023/04/14		
	2 PLACES	± 0.05	CHK'D: JHCHANG 2023/04/14		
	1 PLACE	± 0.1	APPR: JBJIN 2023/04/17		
	0 PLACES	± 0.2	INITIAL REVISION:		
	DRAFT WHERE APPLICABLE MUST REMAIN WITHIN DIMENSIONS		DRWN: JHCHANG 2023/04/13		DOCUMENT NUMBER
	THIRD ANGLE PROJECTION		APPR: JBJIN 2023/04/17		2167010000-SD
	DRAWING		SERIES		DOC TYPE
	A3-SIZE		216701		PSD
	MATERIAL NUMBER		CUSTOMER		DOC PART
	SEE CHART		GENERAL		001
	SHEET NUMBER				REVISION
	1 OF 2				A



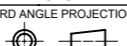
**RECOMMENDED P.C.BOARD PATTERN LAYOUT**  
(FOR REFERENCE)

 SOLDER PROHIBITED AREA.  
WHEN WIREING IS LOCATED,  
THE WIRING MUST BE MASKED BY COVER LAY OR RESIST FILM.

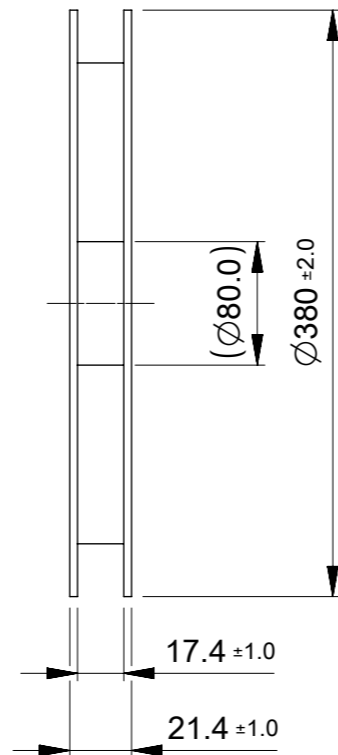
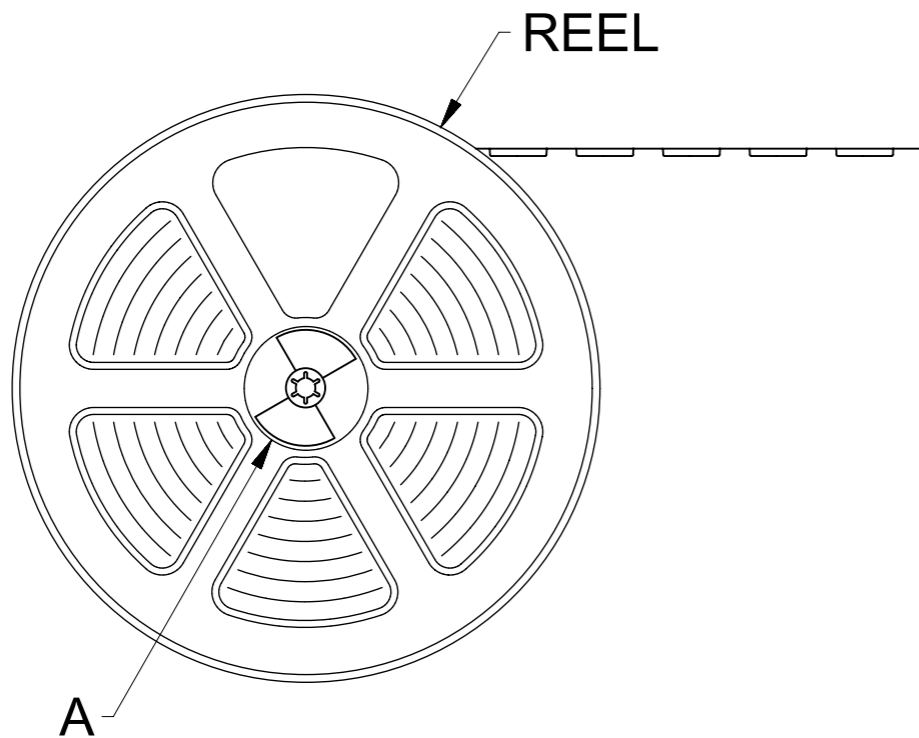


**RECOMMENDED METAL MASK LAYOUT**  
(FOR REFERENCE)

RECOMMENDED THICKNESS : 0.08mm  
RECOMMENDED APERTURE DIMENSION IS JUST SAME AS SHOWN FIGURE ABOVE.  
FOR THIS DIMENSION, APERTURE RATIO ARE SIGNAL TERMINAL AND  
FITTING NAIL ALL 80%.

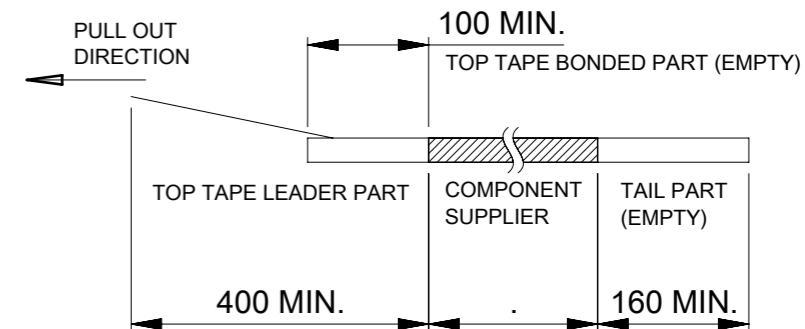
FUNCTIONAL SYMBOLS	THIS DRAWING CONTAINS INFORMATION THAT IS PROPRIETARY TO MOLEX ELECTRONIC TECHNOLOGIES, LLC AND SHOULD NOT BE USED WITHOUT WRITTEN PERMISSION		CURRENT REV DESC:		<b>molex</b>						
	▽A = 0	mm						10:1			
DIVISIONAL SYMBOLS	GENERAL TOLERANCES (UNLESS SPECIFIED)		EC NO: 746141 DRWN: DWLEE02 2023/04/14 CHK'D: JHCHANG 2023/04/14 APPR: JBJIN 2023/04/17		PRODUCT CUSTOMER DRAWING						
	▽E = 0	ANGULAR TOL ± 1.0 °									
	▽F = 0	4 PLACES			± 0.05	INITIAL REVISION:		DOCUMENT NUMBER	DOC TYPE	DOC PART	REVISION
		3 PLACES			± 0.05	DRWN: JHCHANG	2023/04/13	2167010000-SD	PSD	001	A
		2 PLACES			± 0.05	APPR: JBJIN	2023/04/17				
	1 PLACE	± 0.1	DRAFT WHERE APPLICABLE MUST REMAIN WITHIN DIMENSIONS		THIRD ANGLE PROJECTION	DRAWING	SERIES	MATERIAL NUMBER	CUSTOMER	SHEET NUMBER	
	0 PLACES	± 0.2				A3-SIZE	216701	SEE CHART	GENERAL	2 OF 2	

⇒ PULL OUT DIRECTION

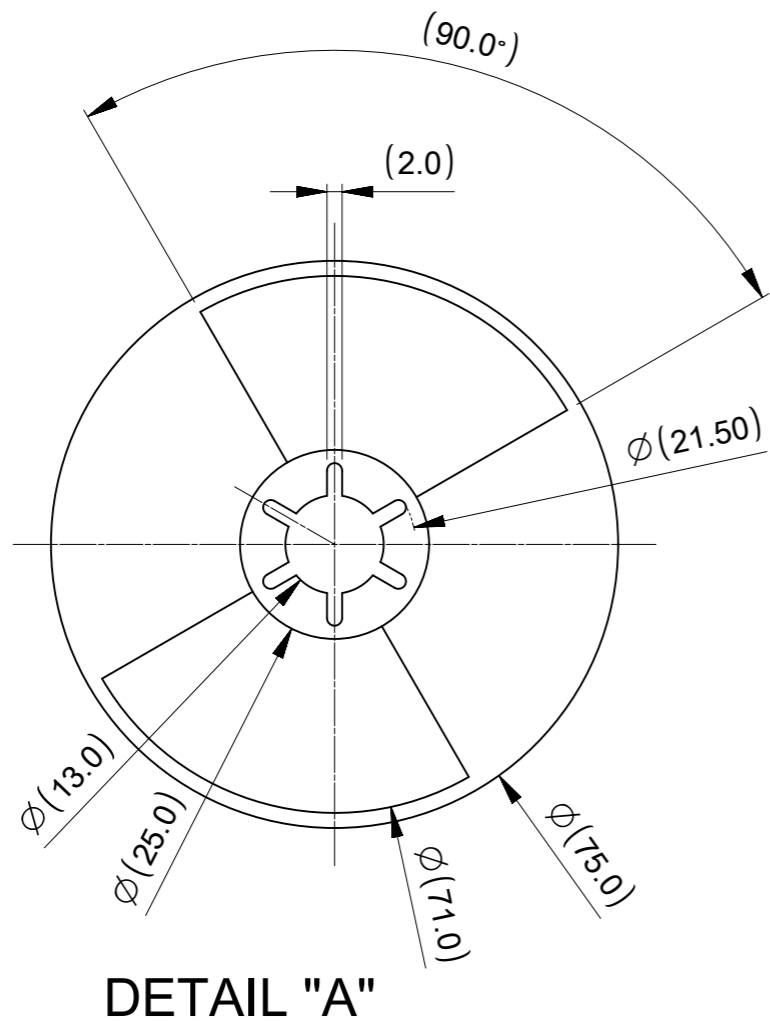


NOTES

1. RE DETAILED DIMENSION, SEE PRODUCT DRAWING.
2. NUMBER OF CONNECTORS : 20,000PCS/REEL
3. LEAD TAPE LENGTH :



4. PEEL OFF FORCE OF THE TOP TAPE IS DEFINED BY IEC 60286-3.
5. MATERIAL
  - CARRIER TAPE : POLYSTYRENE OR PET
  - TOP TAPE : PET, OTHER
  - REEL : POLYSTYRENE(PS) [RECYCLE MATERIAL CONTAINED]



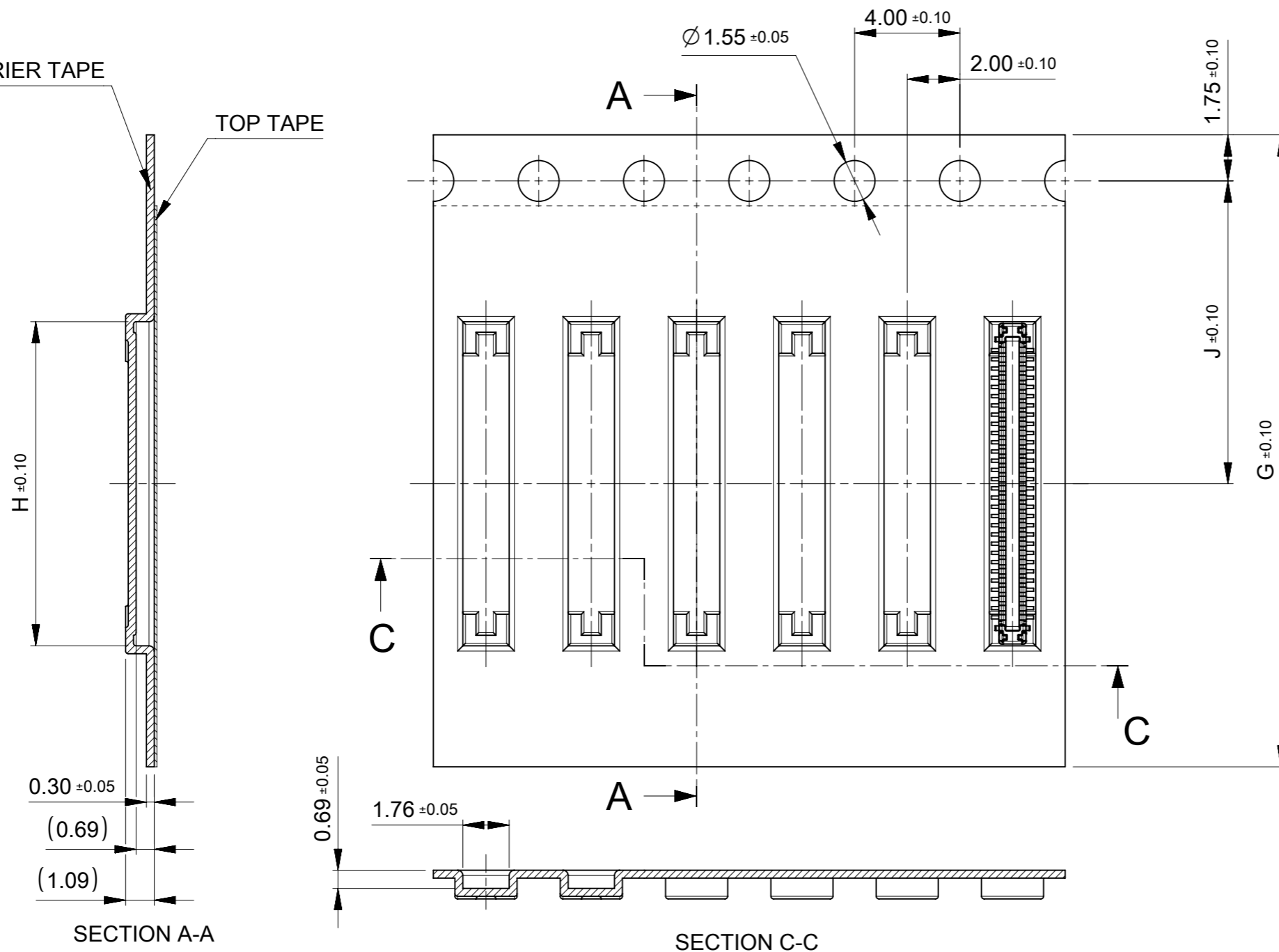
DETAIL "A"

FUNCTIONAL SYMBOLS	THIS DRAWING CONTAINS INFORMATION THAT IS PROPRIETARY TO MOLEX ELECTRONIC TECHNOLOGIES, LLC AND SHOULD NOT BE USED WITHOUT WRITTEN PERMISSION		CURRENT REV DESC:		<b>molex</b>
	$\nabla_A = 0$	mm	SCALE 1:1		
	GENERAL TOLERANCES (UNLESS SPECIFIED)				0.35 BB CONN H=0.6 ACB6 PLUS PLUG PKG
	ANGULAR TOL $\pm 1.0^\circ$				
	4 PLACES	$\pm 0.05$	EC NO: 746141	2023/04/14	PRODUCT CUSTOMER DRAWING
	3 PLACES	$\pm 0.05$	DRWN: DWLEE02	2023/04/14	
	2 PLACES	$\pm 0.05$	CHK'D: JHCHANG	2023/04/17	DOCUMENT NUMBER 2167010001-SD
	1 PLACE	$\pm 0.1$	APPR: JBJIN	2023/04/17	
	0 PLACES	$\pm 0.2$	INITIAL REVISION:		DOC TYPE PSD
	DRAFT WHERE APPLICABLE MUST REMAIN WITHIN DIMENSIONS		DRWN: JHCHANG	2023/04/13	DOC PART 001
	THIRD ANGLE PROJECTION		APPR: JBJIN	2023/04/17	REVISION A
	DRAWING A3-SIZE		SERIES 216701	MATERIAL NUMBER SEE SHEET2	CUSTOMER GENERAL
					SHEET NUMBER 1 OF 2

PULL OUT DIRECTION →

EMBOSS CARRIER TAPE

TOP TAPE



SECTION A-A

SECTION C-C

12.31	11.50	24.00	2167010609	---	O	60
11.26			2167010549	O	---	54
10.56			2167010509	O	---	50
8.81	9.25	16.00	2167010409	O	---	40
7.06			2167010309	---	O	30
6.01			2167010249	---	O	24
5.34			2167010209	O	---	20
3.56			2167010109	---	O	10
H	J	G	EMBOSSED TAPE PACKAGE	HIGH VOL. TOOL	LOW VOL. TOOL	Ckts
ORDER No.			SAMPLE PREPARATION			
			O : TOOLED □ : WORK PROCESS --- : TOOLING TO BE CONFIRMED			
CONNECTOR SERIES No. : 216701****						

FUNCTIONAL SYMBOLS	THIS DRAWING CONTAINS INFORMATION THAT IS PROPRIETARY TO MOLEX ELECTRONIC TECHNOLOGIES, LLC AND SHOULD NOT BE USED WITHOUT WRITTEN PERMISSION		CURRENT REV DESC:		<b>molex</b>
▽ <sub>A</sub> = 0	mm	SCALE 5:1			
▽ <sub>E</sub> = 0	GENERAL TOLERANCES (UNLESS SPECIFIED)				0.35 BB CONN H=0.6 ACB6 PLUS PLUG PKG
▽ <sub>F</sub> = 0	ANGULAR TOL ± 1.0°				PRODUCT CUSTOMER DRAWING
DIVISIONAL SYMBOLS	4 PLACES ± 0.05	3 PLACES ± 0.05	2 PLACES ± 0.05	1 PLACE ± 0.1	0 PLACES ± 0.2
	EC NO: 746141		DRWN: DWLEE02		2023/04/14
	CHK'D: JHCHANG		APPR: JBJIN		2023/04/17
	INITIAL REVISION:		DRWN: JHCHANG		2023/04/13
	APPR: JBJIN		MATERIAL NUMBER		2023/04/17
DRAFT WHERE APPLICABLE MUST REMAIN WITHIN DIMENSIONS		THIRD ANGLE PROJECTION	DRAWING	SERIES	MATERIAL NUMBER
			A3-SIZE	216701	2167010001-SD
			SEE SHEET 2	CUSTOMER	PSD 001 A
					SHEET NUMBER 2 OF 2