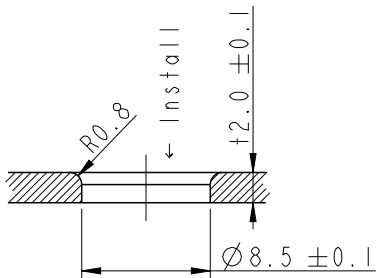
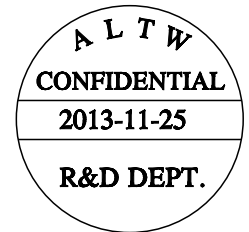
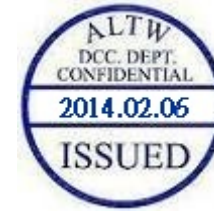
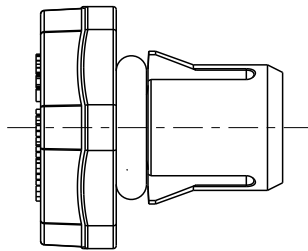
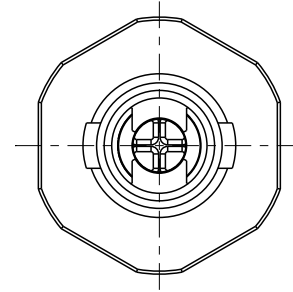
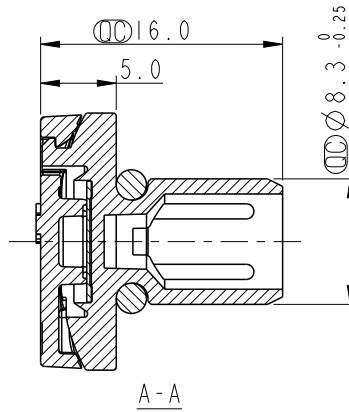
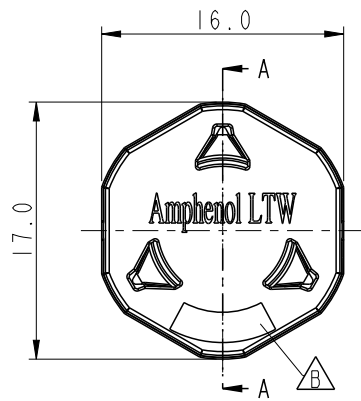
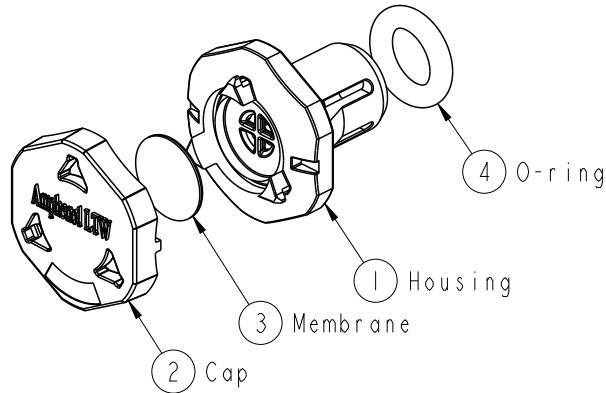


REV.	ECN NO.	DATE	SIGN	DESCRIPTION
B	LE31420031	2014-01-02	Kelly	Modify Cap Marking



Recommended Panel Cut-Out



Note:

- * Ⓞ Important Dimension.
- * Waterproof Rate: IP68, IP69K
- * Housing: M-PPE, UV Resistance, Black
- * Cap: M-PPE, UV Resistance, Black
- * Membrane: PTFE
- * O-Ring: Silicone, UL94-V0, Dark Gray
- * Air Permeability: >260ml/min @70mbar
- * Water Entry Pressure: >60KPa

UNIT: mm		
TOLERANCE		
.X	±0.25	
.XX	±0.1	
.XXX	±0.05	
ANGLES	±1°	

TITLE Snap-in Vent			
SCALE 2:1	SIZE A4	SHEET 1 OF 1	
REV. B	WC-REV. B.1	Ⓞ: Inspection item	

Amphenol LTW
安費諾亮泰企業股份有限公司

ITEM NO. VENT-BJ003	DRAWN BY Kelly-gaotong	DATE 2013-11-25
DWG NO. VENT-BJ003	CHECKED BY Tony	DATE 2013-11-25
CUSTOMER ALTW	APPROVED BY Victor	DATE 2013-11-25

THIS DOCUMENT IS SUBJECT TO CHANGE WITHOUT NOTICE. IT IS CONFIDENTIAL AND A PROPERTY OF Amphenol LTW. DISCLOSURE TO THIRD PARTY HAS TO BE AUTHORIZED BY Amphenol LTW.