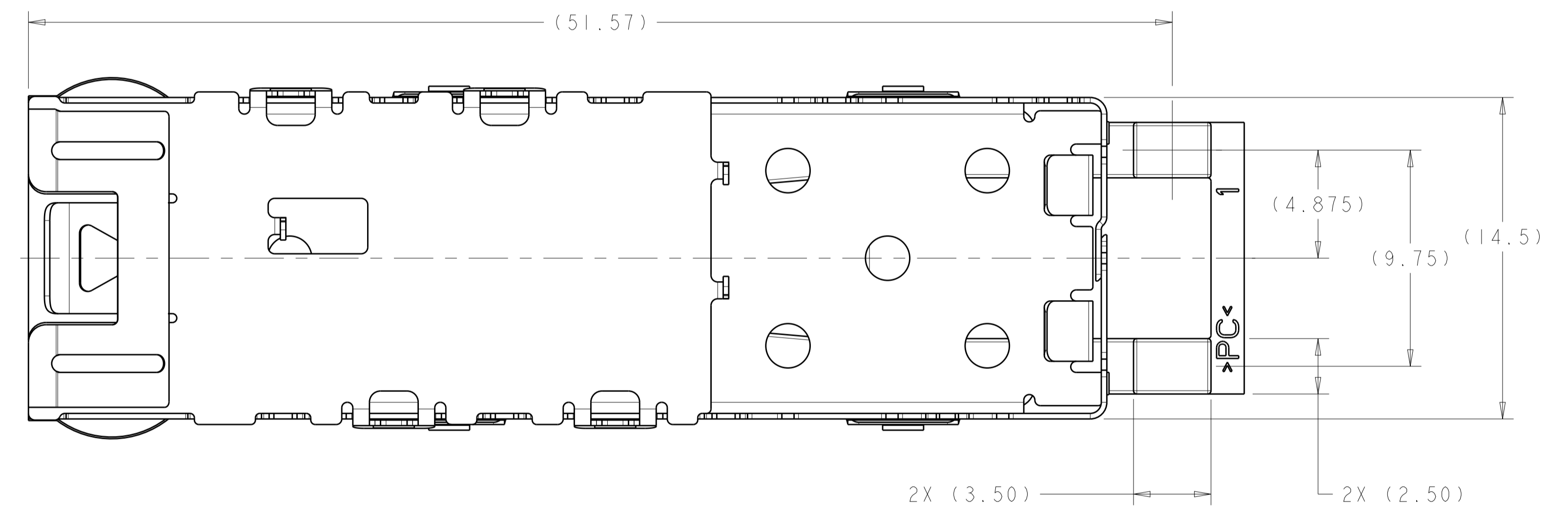
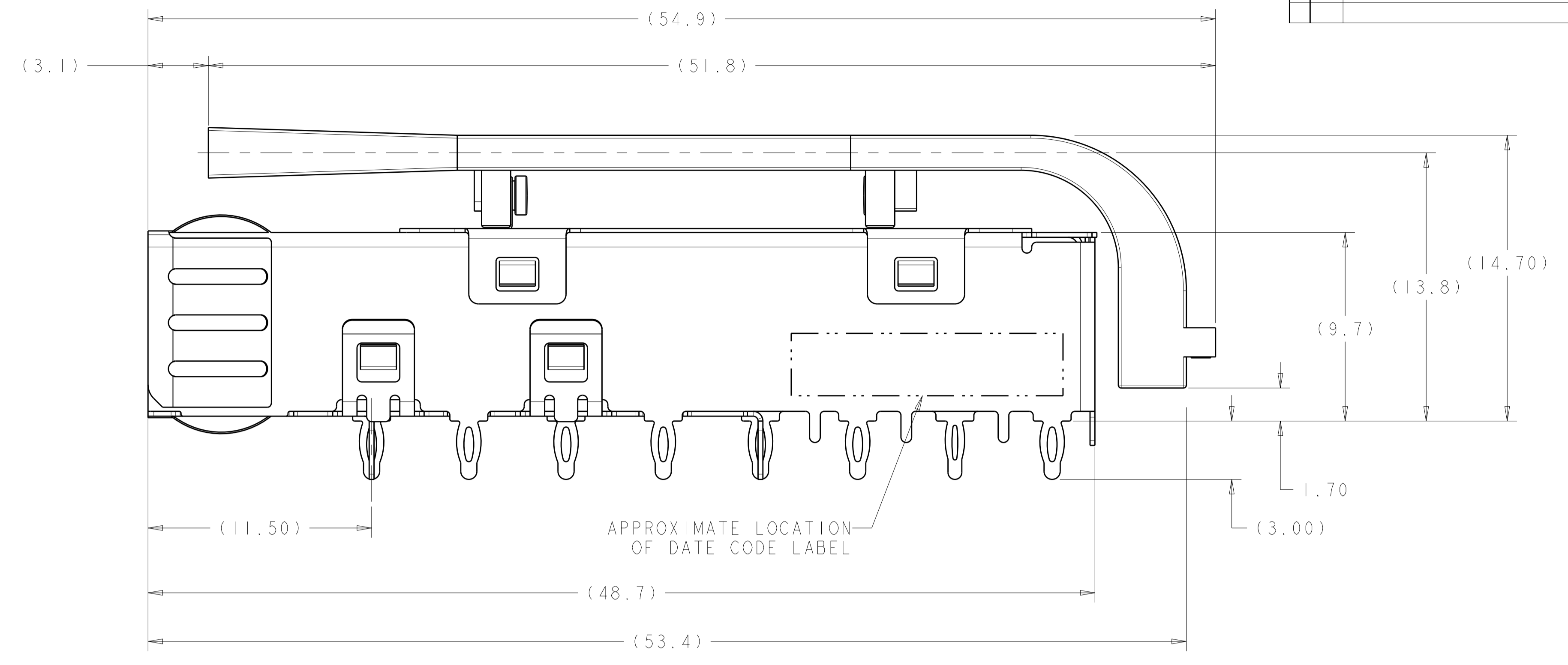
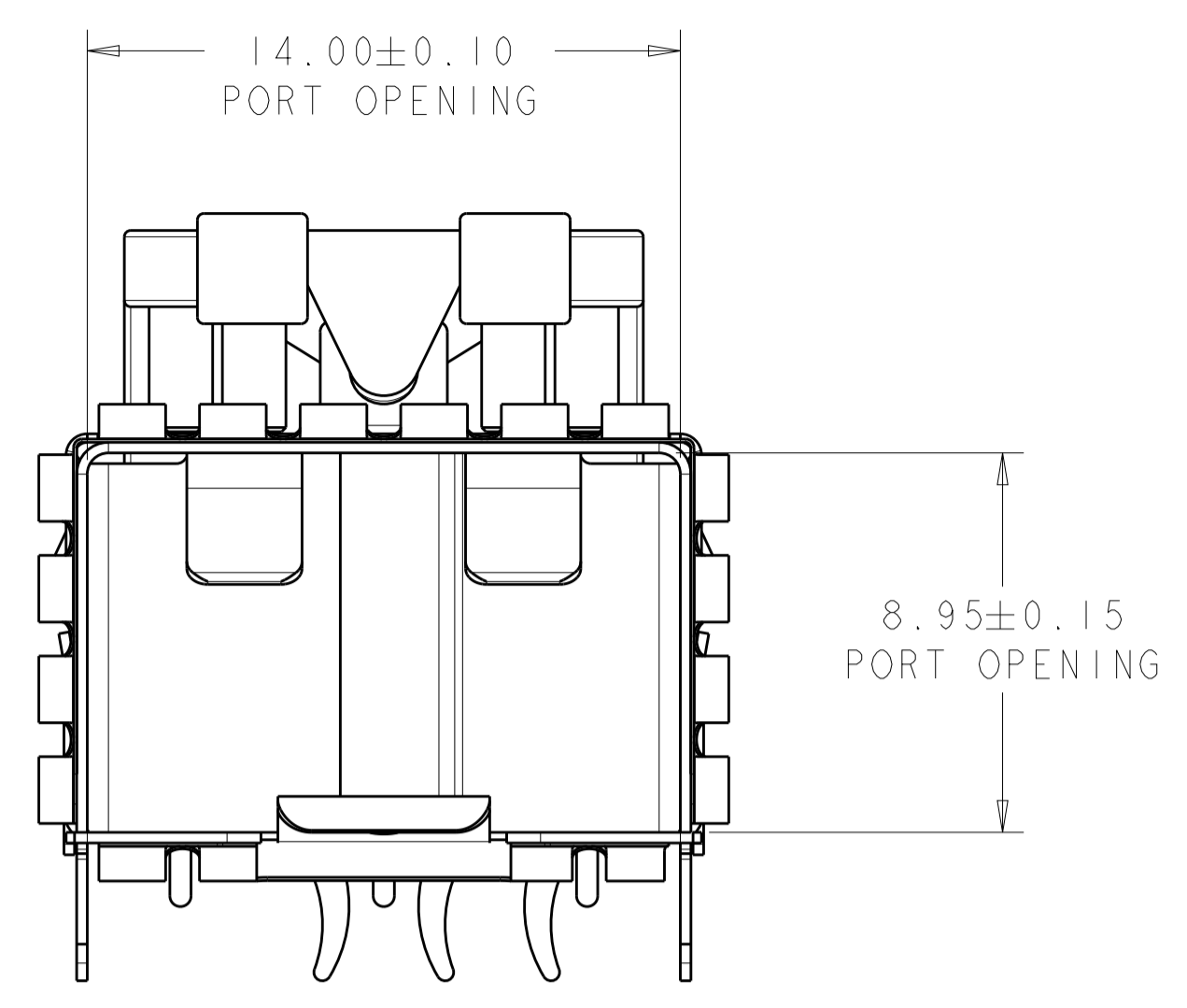
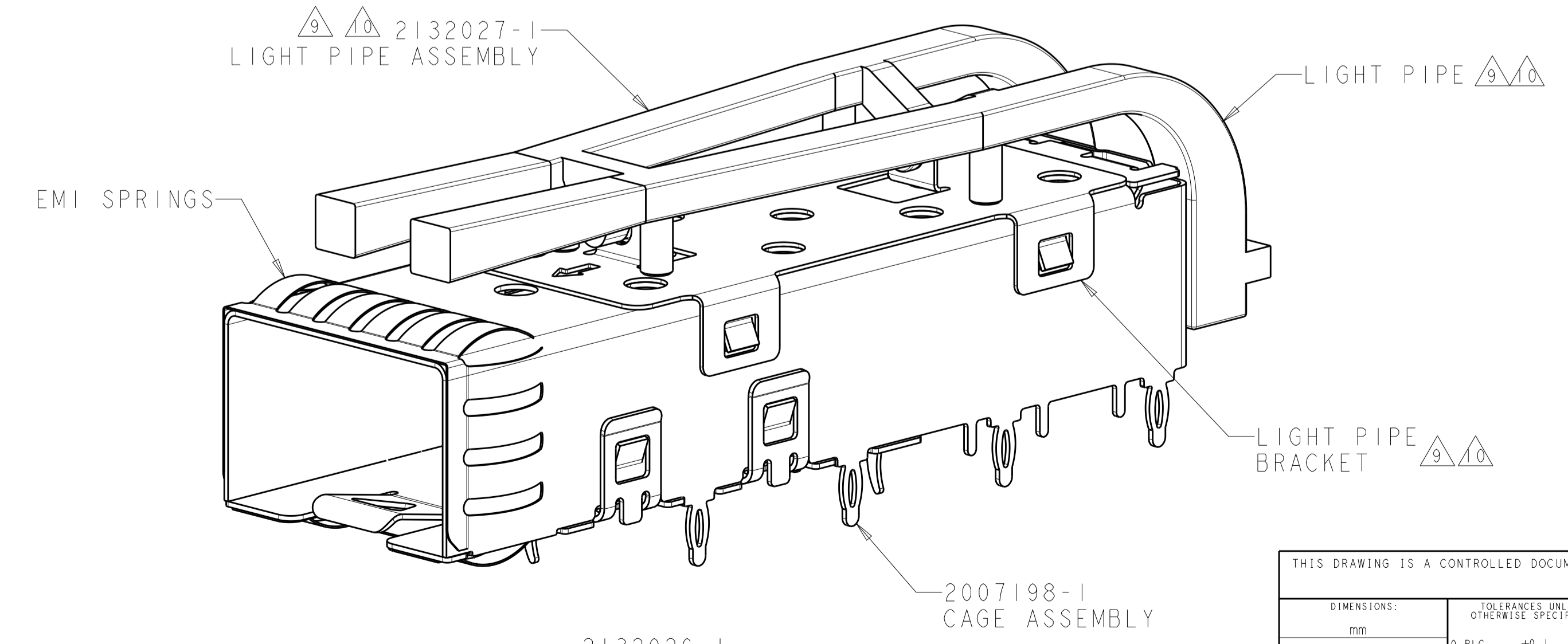


REVISIONS				
REV	DATE	BY	CHKD	APPROV
A	26FEB2016	JW	SH	



- ⚠ MATERIAL:  
 CAGE ASSEMBLY - 0.25 THICK NICKEL-SILVER ALLOY.  
 EMI SPRINGS - COPPER ALLOY.  
 LIGHT PIPE - POLYCARBONATE, CLEAR.  
 LIGHT PIPE BRACKET - STAINLESS STEEL.
- ⚠ FINISH:  
 EMI SPRINGS - 0.8um MIN MATTE TIN OVER 0.8um MIN NICKEL  
 NON-PLATED EDGES PERMISSIBLE.
- 3. MATES WITH SFP MSA COMPLIANT TRANSCEIVERS.
- ⚠ PADS AND VIAS CHASSIS GROUND.
- ⚠ DATUM AND BASIC DIMENSION ESTABLISHED BY CUSTOMER.
- 6. MINIMUM PC BOARD THICKNESS:  
 SINGLE SIDED: 1.50mm  
 DOUBLE SIDED: 3.00mm
- ⚠ REFERENCE APPLICATION SPEC. 114-13120, HOLE A, FOR  
 RECOMMENDED DRILL HOLE DIAMETER AND PLATING THICKNESS.
- ⚠ REFERENCE APPLICATION SPEC. 114-13120, HOLE C, FOR  
 RECOMMENDED DRILL HOLE DIAMETER AND PLATING THICKNESS.  
 INTO PCB PRIOR TO ATTACHING THE LIGHTPIPE ASSEMBLY  
 TO THE CAGE.
- ⚠ LIGHT PIPE ASSEMBLY SHIPPED UNASSEMBLED TO CAGE ASSEMBLY.  
 CAGE ASSEMBLY TO BE PRESSED INTO PCB PRIOR TO ATTACHING  
 THE LIGHT PIPE ASSEMBLY TO THE CAGE.
- ⚠ LIGHT PIPE AND LIGHT PIPE BRACKET SHIPPED ASSEMBLED.

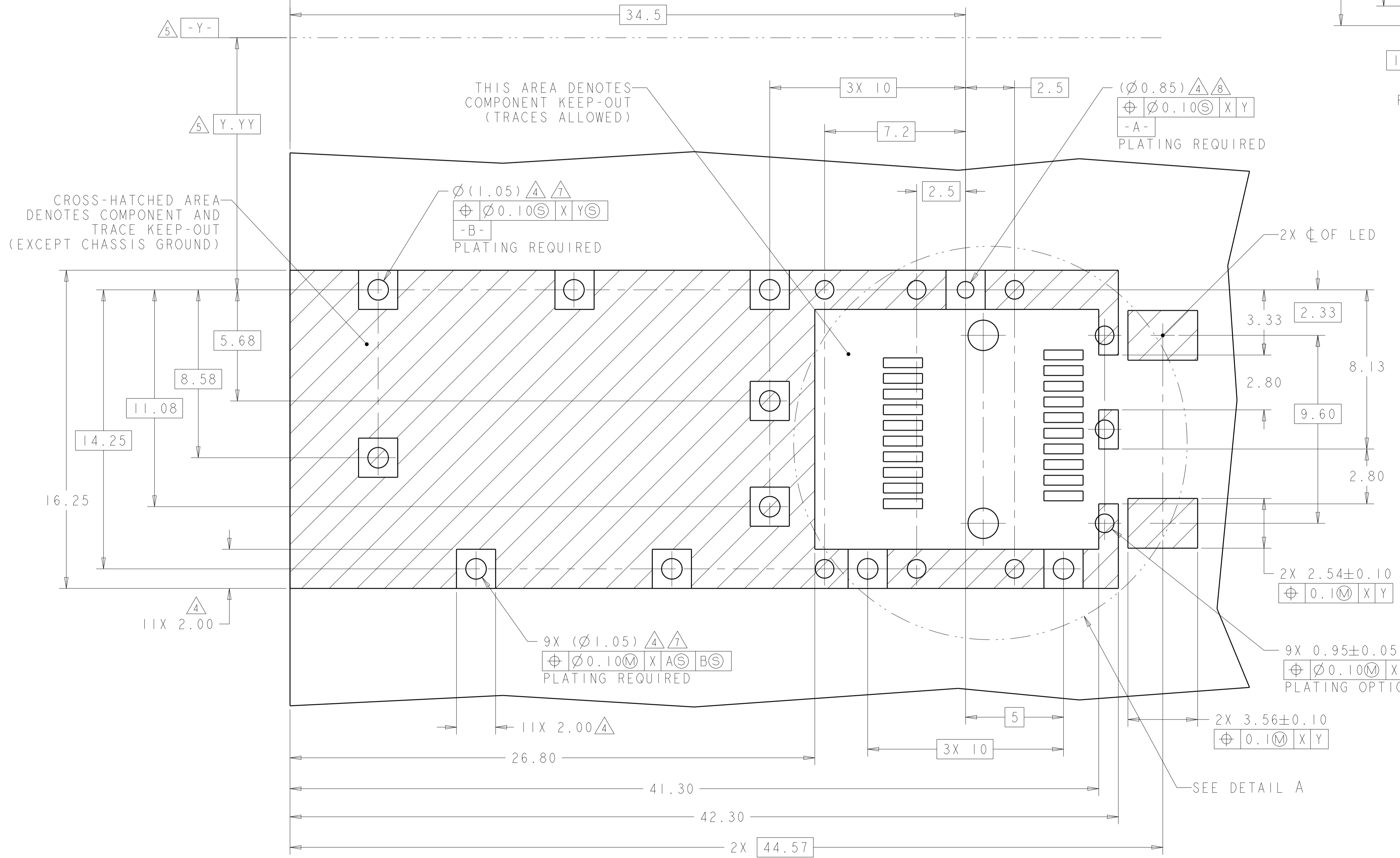
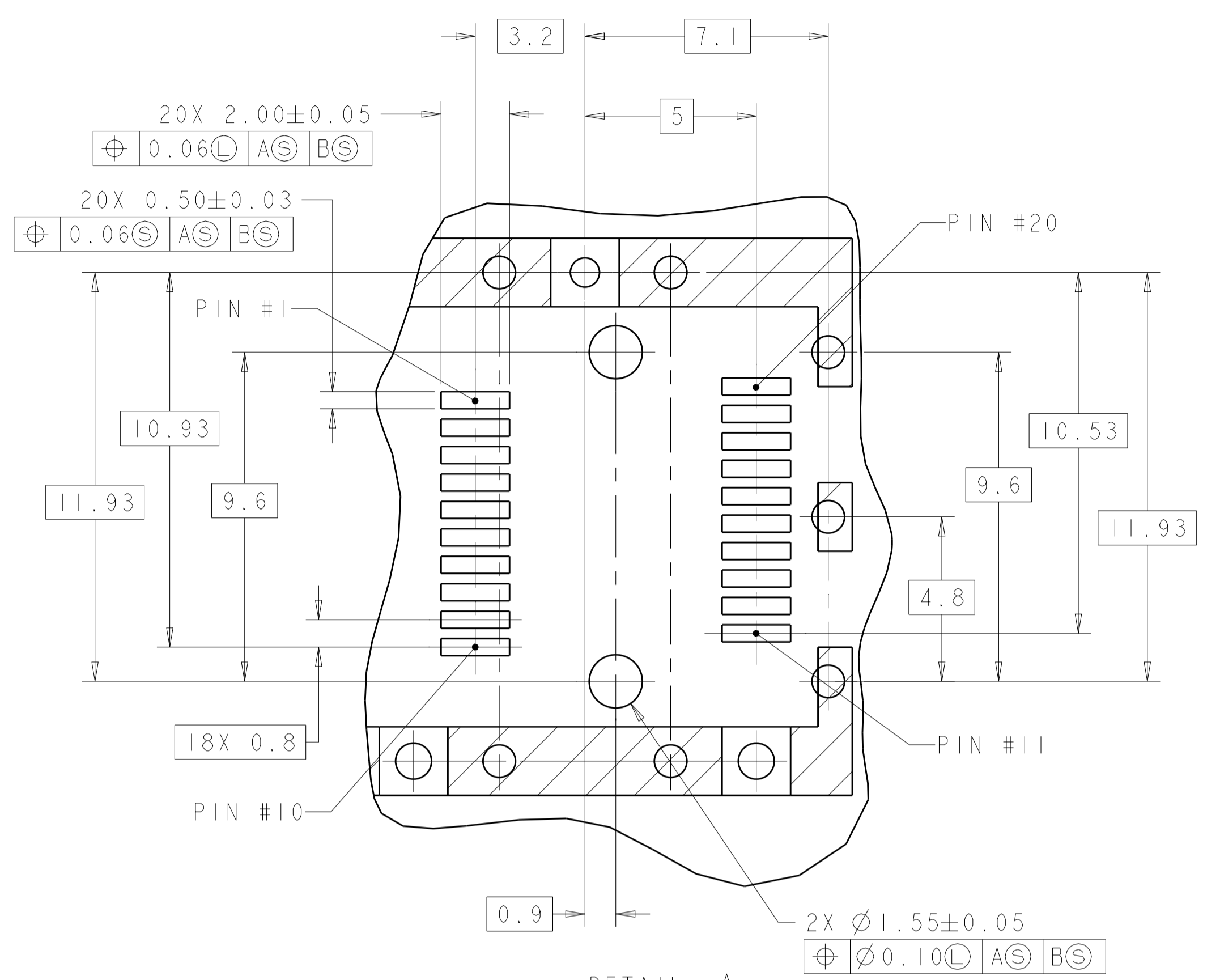
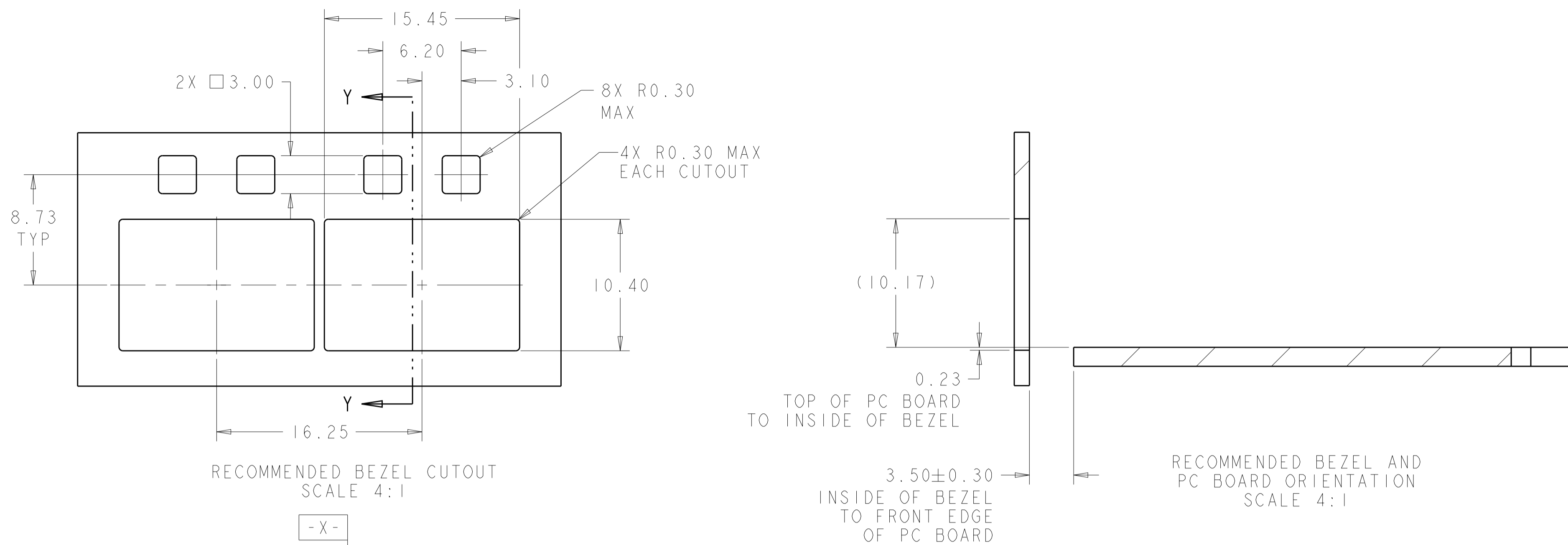


2132026-1  
 SHOWN ASSEMBLED  
 SCALE 5:1

2132026-1  
 PART  
 NUMBER

THIS DRAWING IS A CONTROLLED DOCUMENT.		DWN C. ROHLER 08OCT2009	TE Connectivity
DIMENSIONS: mm		CHK M. SCHMITT 08OCT2009	
TOLERANCES UNLESS OTHERWISE SPECIFIED:		APV B. WERTZ 08OCT2009	NAME SFP+ IXI CAGE ASSEMBLY PRESS-FIT, W/ LIGHT PIPES
0 PLC ±0.1	1 PLC ±0.1	PRODUCT SPEC 108-2364	SIZE A1
2 PLC ±0.1	3 PLC ±0.05	APPLICATION SPEC 114-13120	CAGE CODE 00779
4 PLC ±0.05	ANGLES ±0.05	WEIGHT	DRAWING NO 2132026
MATERIAL	FINISH	CUSTOMER DRAWING	SCALE 6:1 SHEET 1 OF 2 REV A

REVISIONS				
REV	DATE	BY	APP'D	DESCRIPTION
1	-	-	-	SEE SHEET 1



RECOMMENDED PCB LAYOUT SCALE 8:1

THIS DRAWING IS A CONTROLLED DOCUMENT.		OWN: C. ROHLER 08OCT2009	TE Connectivity
DIMENSIONS: mm		CHK: M. SCHMITT 08OCT2009	
TOLERANCES UNLESS OTHERWISE SPECIFIED:		APP'D: B. WERTZ 08OCT2009	NAME: SFP+ IXI CAGE ASSEMBLY PRESS-FIT, W/ LIGHT PIPES
0 PLC ±0.1	1 PLC ±0.1	PRODUCT SPEC 108-2364	SIZE: CAGE CODE DRAWING NO. RESTRICTED TO
2 PLC ±0.1	3 PLC ±0.05	APPLICATION SPEC 114-13120	A100779C=2132026
4 PLC ±0.05	ANGLES ±0.05	WEIGHT	CUSTOMER DRAWING
MATERIAL: FINISH:		SCALE: 6:1	SHEET 2 OF 2 REV A