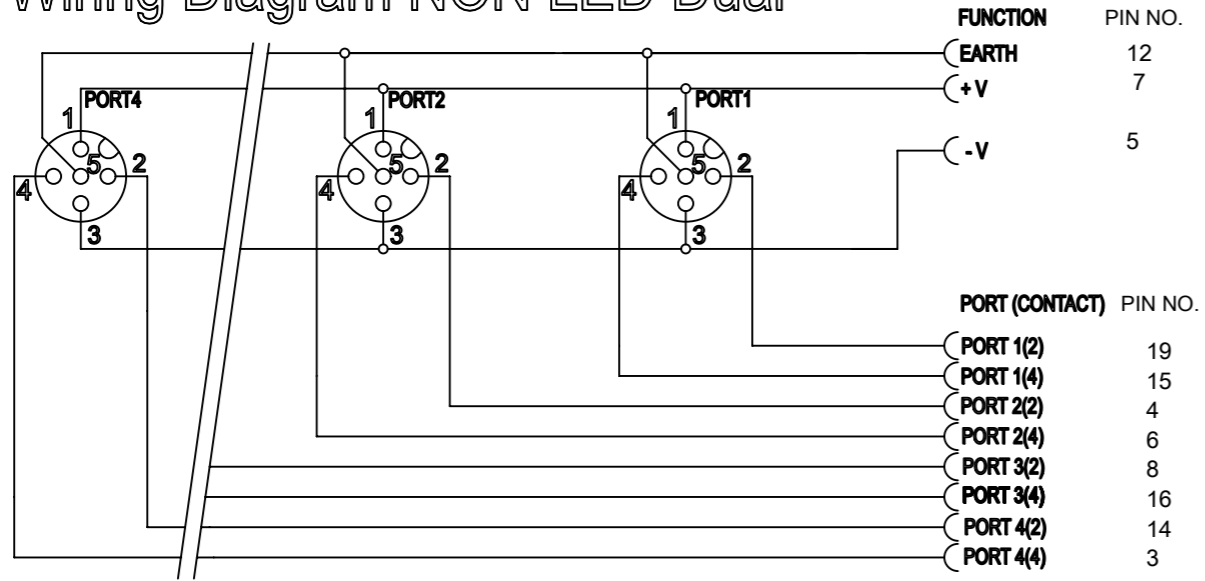
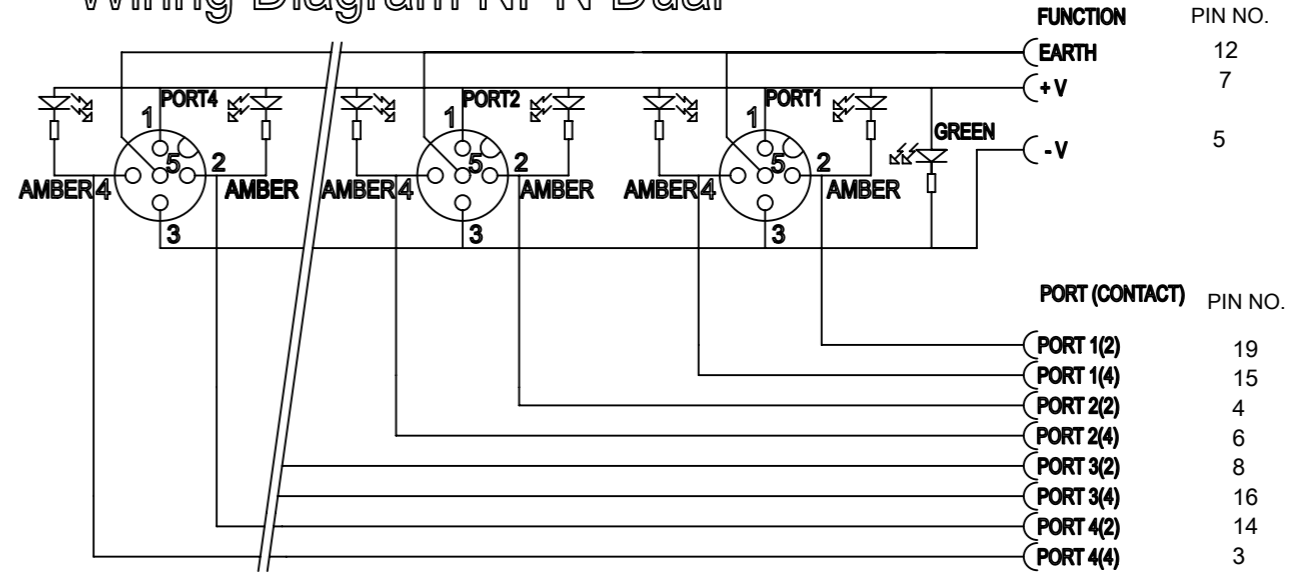


Wiring Diagram NON LED Dual



Wiring Diagram NPN Dual



BILL OF MATERIAL

ITEM	DESCRIPTION	MATERIAL	FINISH
1	LABEL	ABS	WHITE
2	CABLE PLATE	PBT	BLACK
3	CABLE	TPU BASED	BLACK
4	CONTACT	BRASS	GOLD OVER NICKEL
5	O-RING	FPM	RED
6	LED	NO LED = PA	BLACK
		WITH LED = PA	TRANSPARENT
7	SHELL	BRASS	NICKEL PLATED
8	HOUSING	PBT	BLACK
9	OVERMOLDING	PVC	YELLOW
10	COUPLING NUT	ZINC DIE CAST	BLACK
11	INSERT	TPE	YELLOW
12	CONTACT	BRASS	GOLD OVER NICKEL

CABLE LENGTH TOLERANCES

LENGTH [m]	TOLERANCE [mm]
0-1	+40
>1-5	+60
>5-10	+80
>10-20	+140
>20-30	+160
>30	+1% length

FUNCTIONAL SYMBOLS ∇/A = 0 ∇/E = 0 ∇/V = 0	THIS DRAWING CONTAINS INFORMATION THAT IS PROPRIETARY TO MOLEX ELECTRONIC TECHNOLOGIES, LLC AND SHOULD NOT BE USED WITHOUT WRITTEN PERMISSION	CURRENT REV DESC: BOM UPDATED	
	DIMENSION UNITS: mm SCALE: 1:1	GENERAL TOLERANCES (UNLESS SPECIFIED) ANGULAR TOL ± 1.0°	
DIVISIONAL SYMBOLS	4 PLACES ±	EC NO: 695129	2022/02/07
	3 PLACES ±	DRWN: RSCHIEBER	
2 PLACES ± 0.05	APPR: RSILLER	2022/02/09	
1 PLACE ± 0.3	INITIAL REVISION:		
0 PLACES ± 0.5	DRWN: SSM	2019/01/14	
DRAFT WHERE APPLICABLE MUST REMAIN WITHIN DIMENSIONS	APPR: RSILLER	2020/01/17	
THIRD ANGLE PROJECTION	DRAWING	SERIES	MATERIAL NUMBER
	A3-SIZE	120251	SEE TABLE 1
CUSTOMER		DOC TYPE	DOC PART
GENERAL MARKET		PSD	000
SHEET NUMBER		REVISION	
2 OF 2		A2	

molex

MPIS U12 NOS 5P 4PT 0.3M MC 19P BK

PRODUCT CUSTOMER DRAWING

1202510109

A2