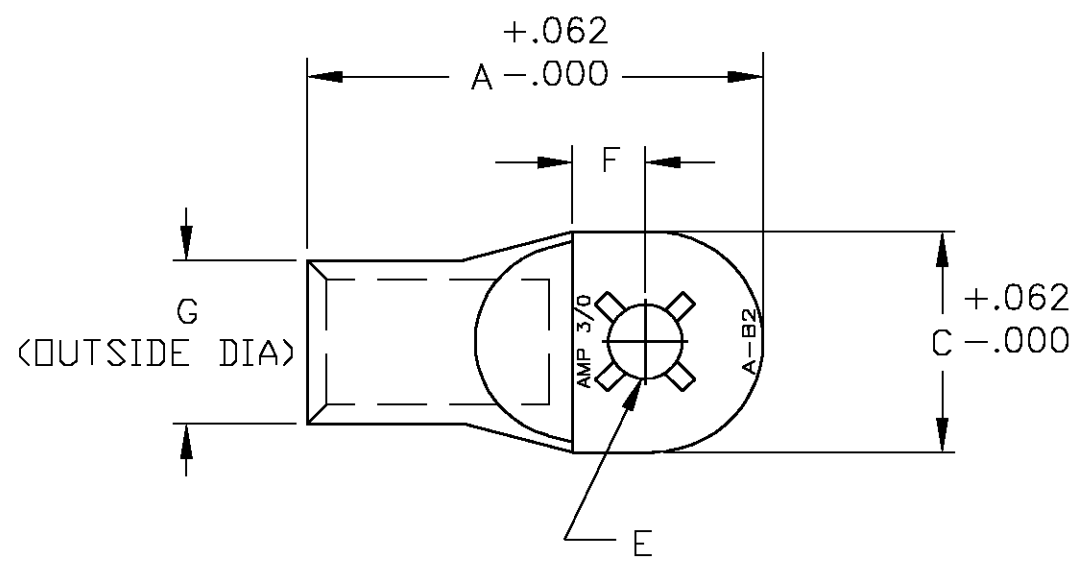
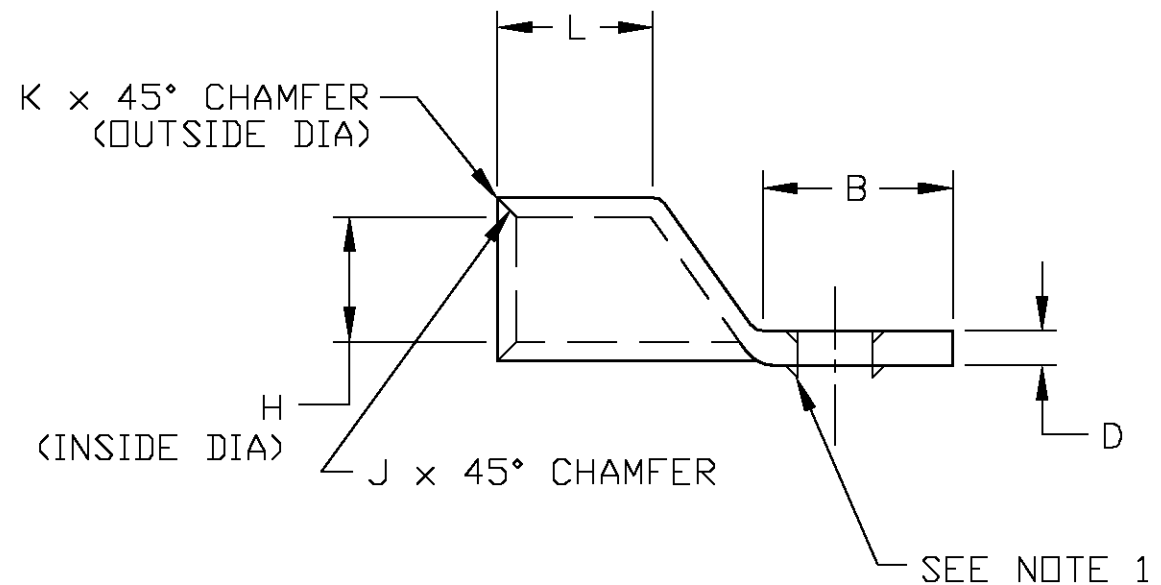


THIS DRAWING IS UNPUBLISHED. RELEASED FOR PUBLICATION  
 © COPYRIGHT BY TYCO ELECTRONICS CORPORATION. ALL RIGHTS RESERVED.

LOC	DIST	REVISIONS					
AA	27	P	LTR	DESCRIPTION	DATE	DWN	APVD
			D	REV PER 0G3A-0088-05	01JUN05	JR	MS



1. LOCKING LANCE FOR P/N -1 & -5 ONLY.



	.250	.812	.016	.031	.578	.766	.438	ø.27	.188	1.09	.938	2.328	606297-5
	.250	.812	.016	.031	.578	.766	.438	ø.27	.188	1.09	.938	2.328	606297-4
OBSOLETE	.375	.812	.016	.031	.578	.766	.438	ø.39	.188	1.09	.938	2.328	606297-3
	.500	.812	.016	.031	.578	.766	.438	ø.52	.188	1.09	.938	2.328	606297-2
OBSOLETE	.375	.812	.016	.031	.578	.766	.438	ø.39	.188	1.09	.938	2.328	606297-1
BOLT HOLE SIZE	L	K	J	H	G	F	E	D	C	B	A	PART NUMBER	

DIMENSIONS, INCHES

THIS DRAWING IS A CONTROLLED DOCUMENT.		DWN	L. HALL	18APR00	 Tyco Electronics Corporation Harrisburg, Pa 17105-3608
		CHK	L.H. SMITH	12MAY00	
DIMENSIONS: INCHES		APVD	B. ANTHONY	12MAY00	NAME
TOLERANCES UNLESS OTHERWISE SPECIFIED:		PRODUCT SPEC			AMP TUBULAR TERMINAL 3/0 (ROUND TONGUE)
0 PLC ± 1 PLC ± 2 PLC ±.02 3 PLC ±.005 4 PLC ±.0005 ANGLES ±3°		APPLICATION SPEC			
MATERIAL		FINISH	WEIGHT		SIZE
HIGH CONDUCTIVITY WROUGHT COPPER		ELECTRO TIN PLATE	-		A300779
		CUSTOMER DRAWING			DRAWING NO
					C-606297
		SCALE 1:1			SHEET 1 OF 1
					REV D