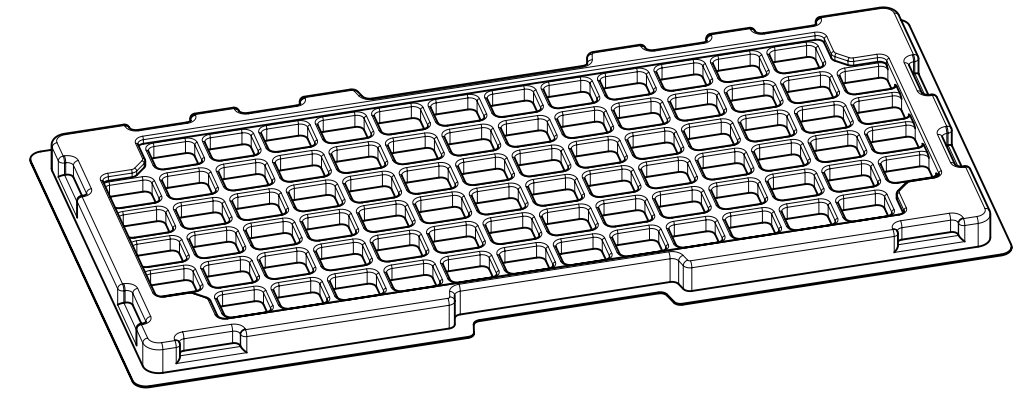
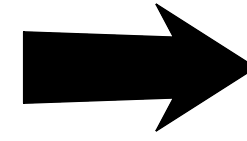
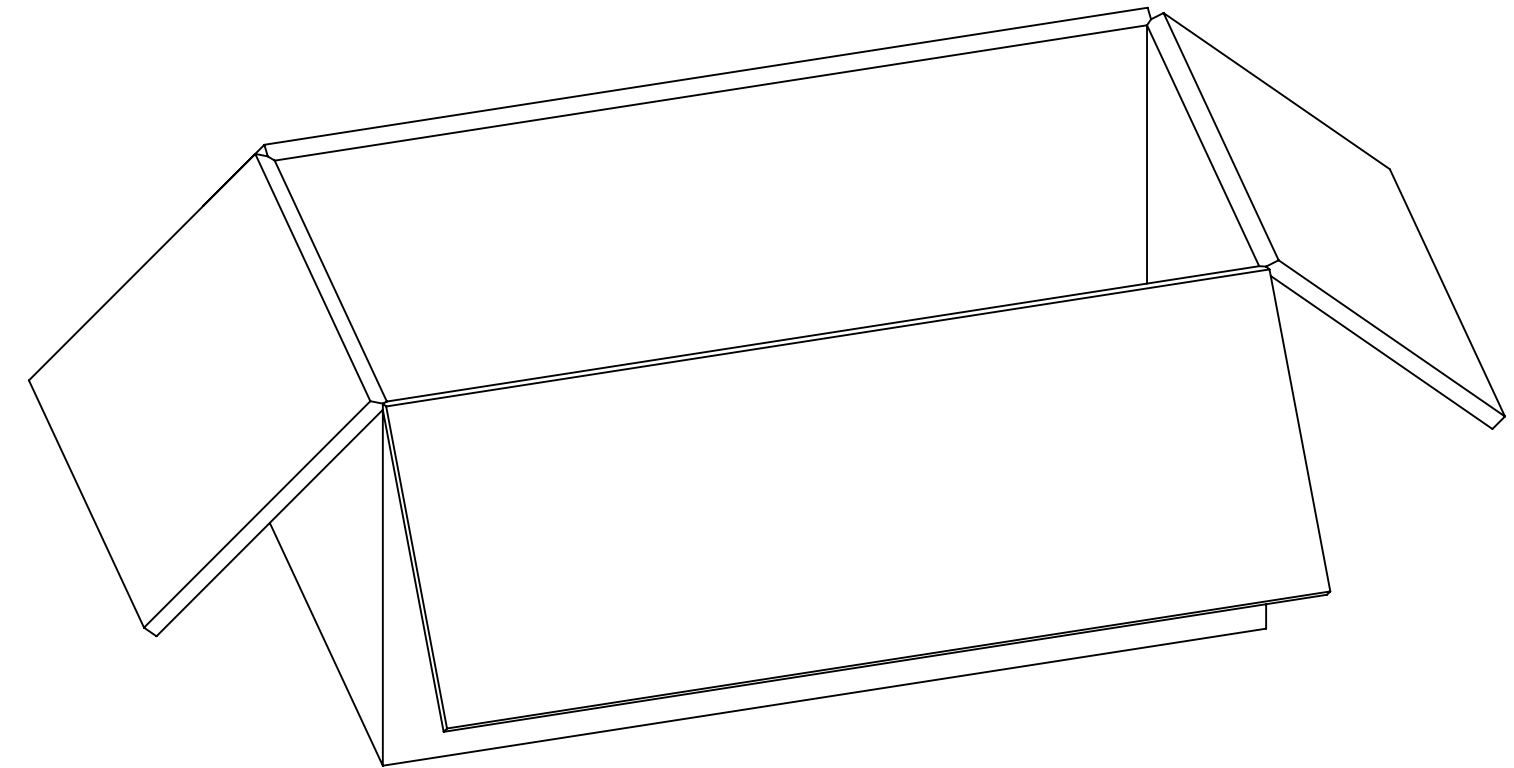
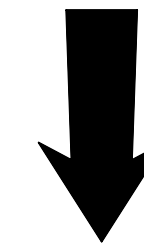


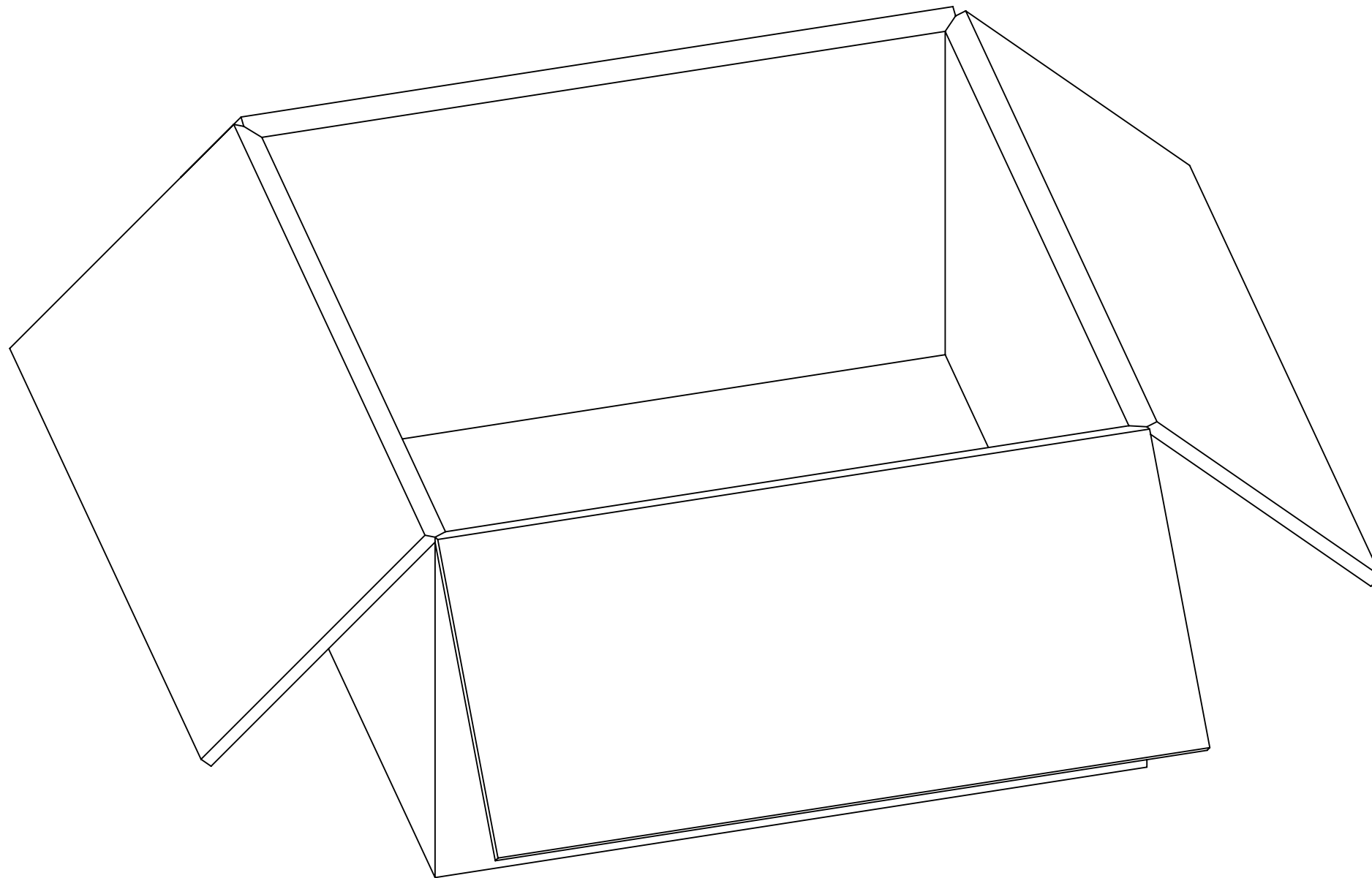
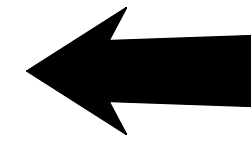
P/N: 73300-0030



**80 SETS PER TRAY
P/N: 89707-0190**

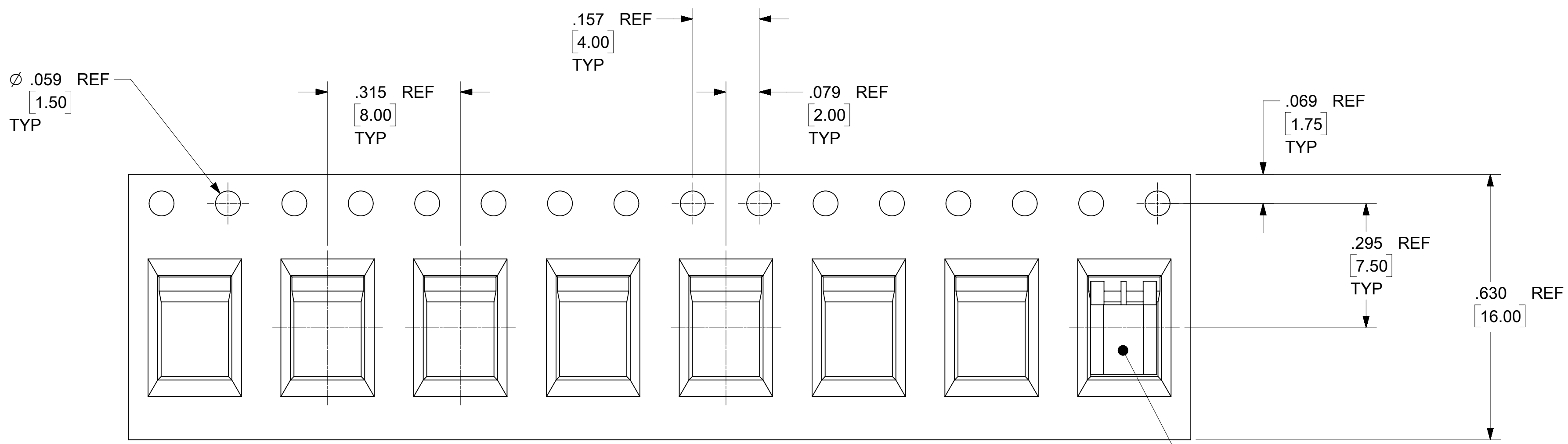


**1600 SETS PER
INNER CARTON BOX
P/N: 96707-0001**



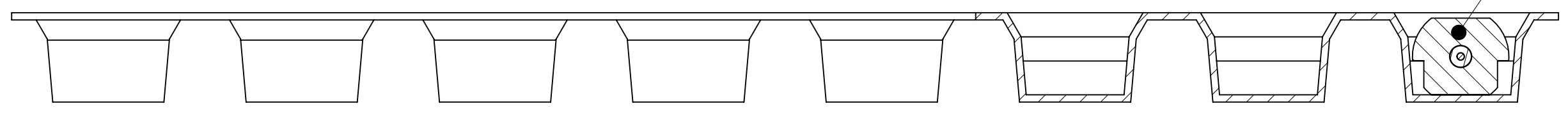
**3200 SETS PER
OUTER CARTON BOX
P/N: 96708-0005**

QUALITY SYMBOLS		THIS DRAWING CONTAINS INFORMATION THAT IS PROPRIETARY TO MOLEX ELECTRONIC TECHNOLOGIES, LLC AND SHOULD NOT BE USED WITHOUT WRITTEN PERMISSION											
▽ = 0	EC NO: 168078 DRWN: SH001 CHKD: SSSHAH REV / APPR: AROBERTSON 2017/08/15 2017/11/27 2017/11/27	GENERAL TOLERANCES (UNLESS SPECIFIED)				DIMENSION UNITS		SCALE					
▽ = 0				MM	INCH	INCH		NTS					
▽ = 0		4 PLACES ±		±	±	DRWN BY		DATE		SMPM, PLUG EDGE MOUNT 50 OHMS, SMOOTH BORE SMPM-P/PCB, EWR-11427			
▽ = 0		3 PLACES ±		±	±	JLEE		2007/09/20					
▽ = 0		2 PLACES ±		±	±	CHK'D BY		DATE		PRODUCT CUSTOMER DRAWING			
▽ = 0		1 PLACES ±		±	±	SSS		2007/09/20					
▽ = 0	0 PLACES ±		±	±	APPR BY		DATE		SERIES MATERIAL NUMBER CUSTOMER 73300 SEE TABLE				
☒ = 0	ANGULAR TOL = 2.0				DRAWING SIZE		THIRD ANGLE PROJECTION		DOCUMENT NUMBER DOC TYPE DOC PART SHEET NUMBER SD-73300-003 PSD 001 2 OF 5				
■ = 0	DRAFT WHERE APPLICABLE MUST REMAIN WITHIN DIMENSIONS												
▽ = 0	B3	C											



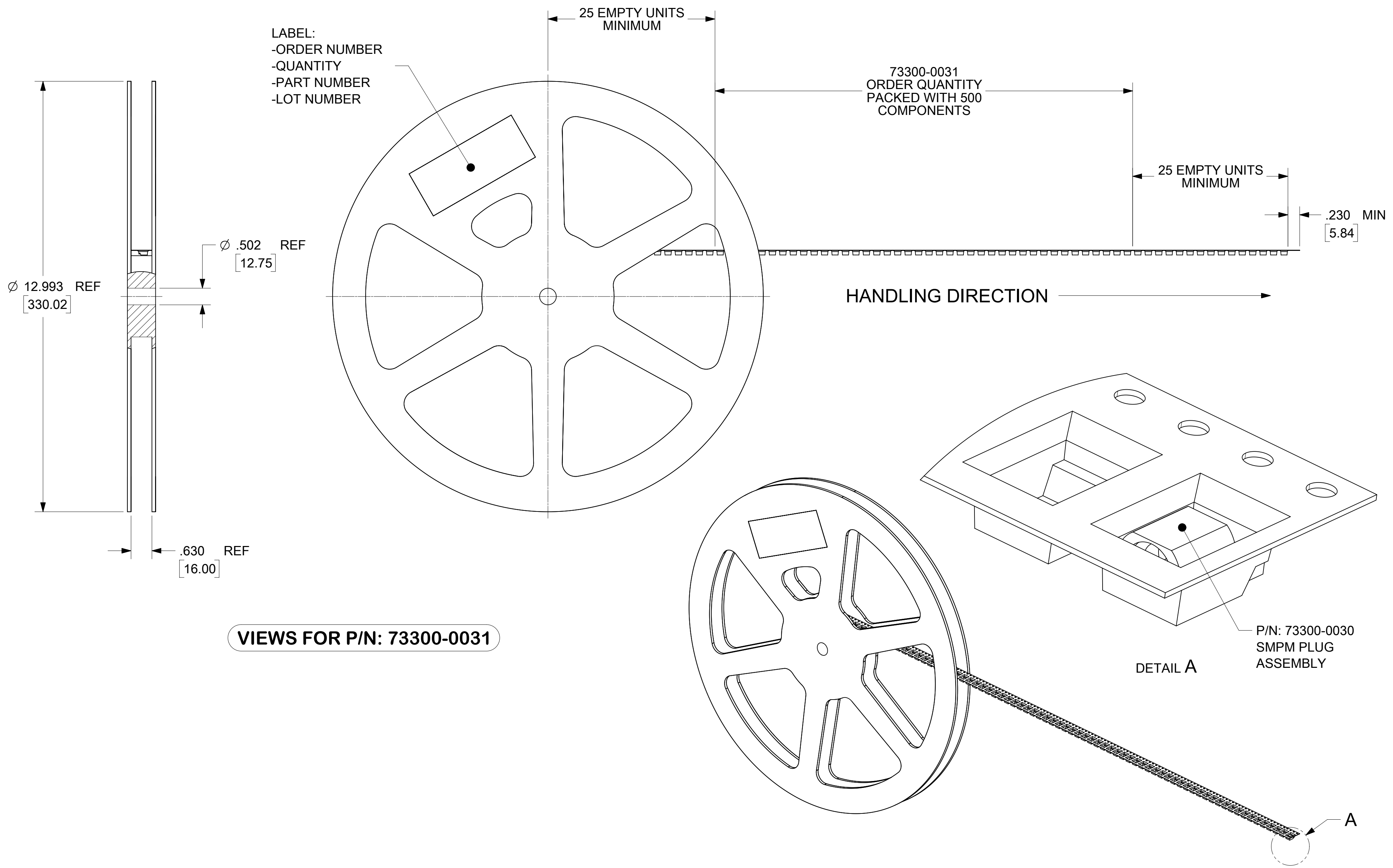
VIEWS FOR P/N: 73300-0031

P/N: 73300-0030
SMPM PLUG ASSEMBLY



QUALITY SYMBOLS 	THIS DRAWING CONTAINS INFORMATION THAT IS PROPRIETARY TO MOLEX ELECTRONIC TECHNOLOGIES, LLC AND SHOULD NOT BE USED WITHOUT WRITTEN PERMISSION										
	EC NO: 168078 DRWN: SH001 CHKD: SSSHAH REV / APPR: AROBERTSON	2017/08/15	2017/11/27	GENERAL TOLERANCES (UNLESS SPECIFIED)		DIMENSION UNITS	SCALE				
				MM	INCH	INCH	NTS				
		4 PLACES	±	±	DRWN BY	DATE	SMPM, PLUG EDGE MOUNT 50 OHMS, SMOOTH BORE SMPM-P/PCB, EWR-11427				
		3 PLACES	±	±	JLEE	2007/09/20					
		2 PLACES	±	±	CHK'D BY	DATE					
	1 PLACES	±	±	SSS	2007/09/20						
	0 PLACES	±	±	APPR BY	DATE	PRODUCT CUSTOMER DRAWING					
				JWIENER	2007/09/20						
	ANGULAR TOL = 2.0	DRAFT WHERE APPLICABLE MUST REMAIN WITHIN DIMENSIONS		DRAWING SIZE	THIRD ANGLE PROJECTION	SERIES	MATERIAL NUMBER	CUSTOMER	73300 SEE TABLE		
C			C		73300	SEE TABLE					
	B3				DOCUMENT NUMBER	DOC TYPE	DOC PART	SHEET NUMBER	SD-73300-003 PSD 001 3 OF 5		

LABEL:
 -ORDER NUMBER
 -QUANTITY
 -PART NUMBER
 -LOT NUMBER

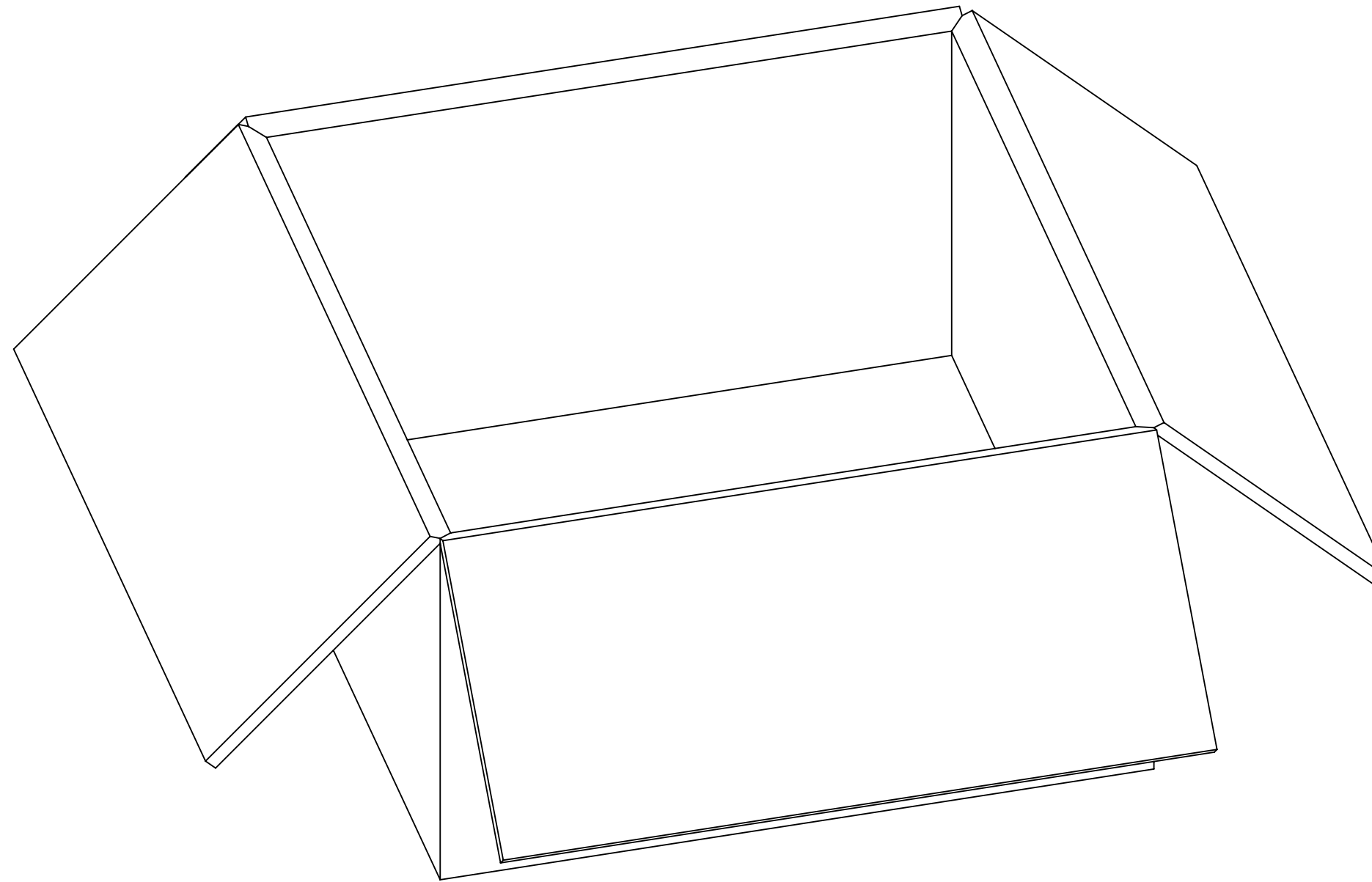
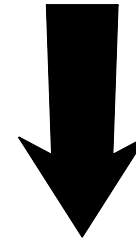
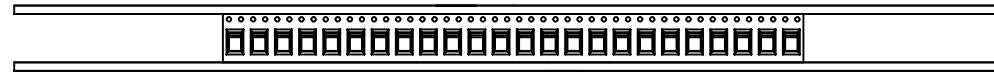


VIEW FOR P/N: 73300-0031

QUALITY SYMBOLS										THIS DRAWING CONTAINS INFORMATION THAT IS PROPRIETARY TO MOLEX ELECTRONIC TECHNOLOGIES, LLC AND SHOULD NOT BE USED WITHOUT WRITTEN PERMISSION															
▽ = 0	▽ = 0	▽ = 0	▽ = 0	▽ = 0	▽ = 0	▽ = 0	▽ = 0	▽ = 0	▽ = 0	2017/08/15	2017/11/27	2017/11/27	GENERAL TOLERANCES (UNLESS SPECIFIED)		DIMENSION UNITS		SCALE								
▽ = 0	▽ = 0	▽ = 0	▽ = 0	▽ = 0	▽ = 0	▽ = 0	▽ = 0	▽ = 0	EC NO: 168078	DRWN: SH001	CHKD: SSSHAH	REV / APPR: AROBERTSON	MM	INCH	INCH	NTS	DRWN BY: JLEE						DATE: 2007/09/20		
▽ = 0	▽ = 0	▽ = 0	▽ = 0	▽ = 0	▽ = 0	▽ = 0	▽ = 0	▽ = 0	4 PLACES	±	±	±	±	±	±	±	±	CHK'D BY: SSS		DATE: 2007/09/20		SMPM, PLUG EDGE MOUNT 50 OHMS, SMOOTH BORE SMPM-P/PCB, EWR-11427			
▽ = 0	▽ = 0	▽ = 0	▽ = 0	▽ = 0	▽ = 0	▽ = 0	▽ = 0	▽ = 0	3 PLACES	±	±	±	±	±	±	±	±	APPR BY: JWIENER		DATE: 2007/09/20					
▽ = 0	▽ = 0	▽ = 0	▽ = 0	▽ = 0	▽ = 0	▽ = 0	▽ = 0	▽ = 0	2 PLACES	±	±	±	±	±	±	±	±	DRAWING SIZE: C		THIRD ANGLE PROJECTION		SERIES: 73300 MATERIAL NUMBER: SEE TABLE CUSTOMER:			
▽ = 0	▽ = 0	▽ = 0	▽ = 0	▽ = 0	▽ = 0	▽ = 0	▽ = 0	▽ = 0	1 PLACES	±	±	±	±	±	±	±	±	DOCUMENT NUMBER: SD-73300-003		DOC TYPE: PSD					
▽ = 0	▽ = 0	▽ = 0	▽ = 0	▽ = 0	▽ = 0	▽ = 0	▽ = 0	▽ = 0	0 PLACES	±	±	±	±	±	±	±	±	DRAFT WHERE APPLICABLE MUST REMAIN WITHIN DIMENSIONS							

P/N: 73300-0031

**500 X 73300-0030 PER REEL
REEL P/N: 89707-0234**



**7 REELS PER CARTON
P/N: 89499-9031**

QUALITY SYMBOLS 	THIS DRAWING CONTAINS INFORMATION THAT IS PROPRIETARY TO MOLEX ELECTRONIC TECHNOLOGIES, LLC AND SHOULD NOT BE USED WITHOUT WRITTEN PERMISSION											
	EC NO: 168078 DRWN: SH001 CHKD: SSSHAH REV / APPR: AROBERTSON	2017/08/15 2017/11/27 2017/11/27	GENERAL TOLERANCES (UNLESS SPECIFIED)		DIMENSION UNITS	SCALE						
					INCH	NTS						
			4 PLACES	±	±	DRWN BY	DATE	SMPM, PLUG EDGE MOUNT 50 OHMS, SMOOTH BORE SMPM-P/PCB, EWR-11427				
			3 PLACES	±	±	JLEE	2007/09/20					
			2 PLACES	±	±	CHK'D BY	DATE					
	1 PLACES	±	±	SSS	2007/09/20							
	0 PLACES	±	±	APPR BY	DATE	PRODUCT CUSTOMER DRAWING						
	ANGULAR TOL = 2.0		DRAWING SIZE	THIRD ANGLE PROJECTION	SERIES: 73300 MATERIAL NUMBER: SEE TABLE CUSTOMER:							
	DRAFT WHERE APPLICABLE MUST REMAIN WITHIN DIMENSIONS		C		DOCUMENT NUMBER: SD-73300-003 DOC TYPE: PSD DOC PART: 001 SHEET NUMBER: 5 OF 5							