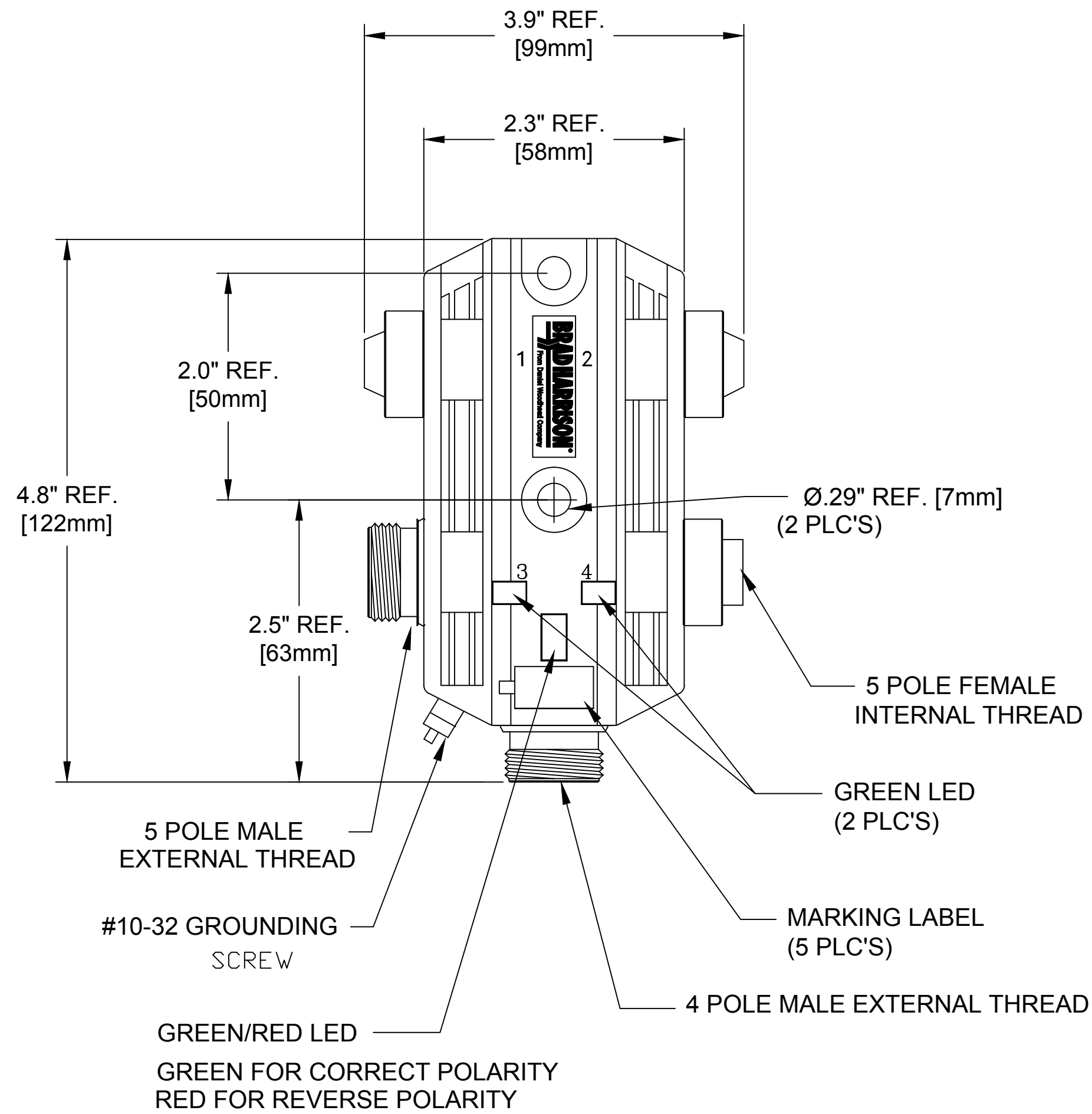
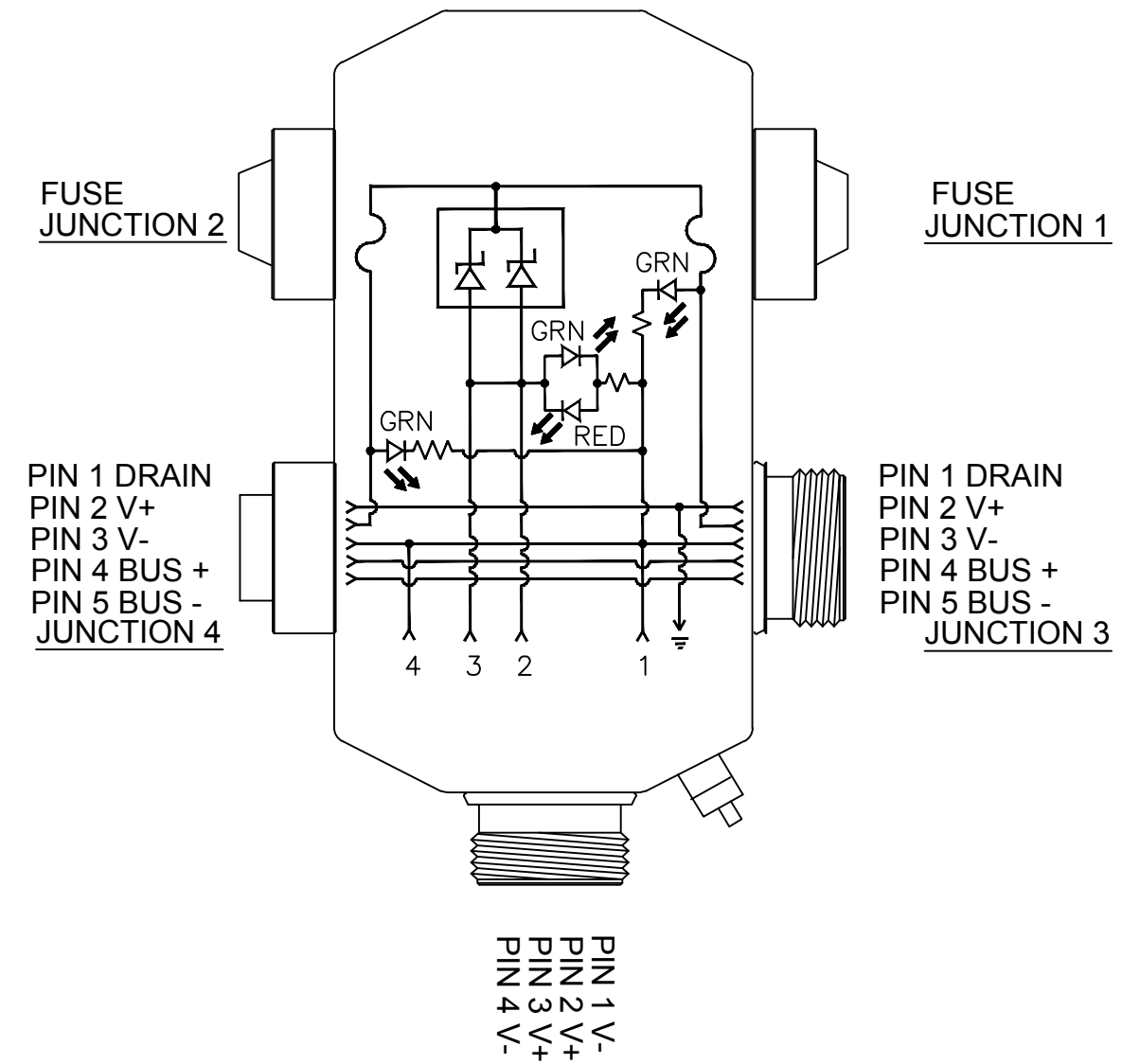


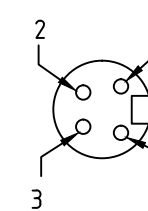
13	12	11	10	9	8	7	6	5	4	3	2	1
MATERIAL NUMBER		OLD PART NUMBER										
1300390393		DN-PT3										



### WIRING DIAGRAM



FACE VIEW-MALE INSERT



RELEASE EC NO: IFCG2014-0819 DRWN: GGUSTAFS 2013/10/07 CH'KD: VOU APPR: BWOODMAN2013/11/15 REV DESCRIPTION	QUALITY SYMBOL	GENERAL TOLERANCES (UNLESS SPECIFIED)		DIMENSION STYLE IN/MM		SCALE NTS	DESIGN UNITS INCH	THIRD ANGLE PROJECTION	
	▽=0	4 PLACES	±---	±---	DRAWN BY DATE	TITLE			
	∇=0	3 PLACES	±---	±.005	GGUSTAFS 2013/10/07	DN POWERTAP W/LEDS F-M M-DROP			
		2 PLACES	±0.13	±.010	CHECKED BY DATE	---			
	1 PLACE	±0.25	±.020	VOU 2013/11/15	APPROVED BY DATE	MOLEX INCORPORATED		SHEET NO.	
		ANGULAR ±.5°		BWOODMAN 2013/11/15	MATERIAL NO.	DOCUMENT NO.		1 OF 1	
		DRAFT WHERE APPLICABLE MUST REMAIN WITHIN DIMENSIONS		SEE CHART	SD-130039-055				
				SIZE C	THIS DRAWING CONTAINS INFORMATION THAT IS PROPRIETARY TO MOLEX INCORPORATED AND SHOULD NOT BE USED WITHOUT WRITTEN PERMISSION				