


SIGN	DATE	DESCRIPTION	APPROVER
△	12/22/09	Add UL standard	Jacke
△	10/20/11	The dimensions are added	Aaron
△	11/18'13	Update the drawing	Chen Bo

THIS IS CAD DRAWING, DO NOT REVISE MANUALLY!!!

Material:

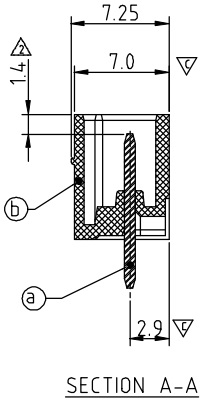
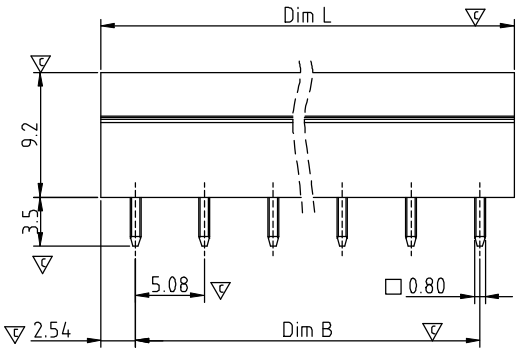
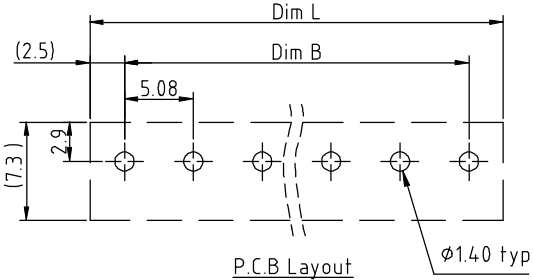
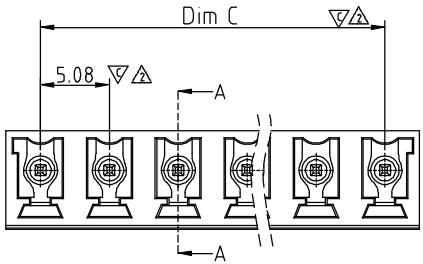
- Item ① Male contact pin: Copper, Tin plated
- Item ② Terminal(housing): Thermoplastic (UL94V-0)

Electrical:

- Voltage rating: 300V
- Current rating: 10A
- Withstanding Voltage: 1.6 KV
- Operating temperature: -40°C to +115°C
- Soldering temperature: 260°C±5°C/5 Sec
- △ ● Safety Approval: 
- Critical dimension: ▽

PART NO. VS xx 51 x 0 xxxx G

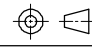
- |                |                     |   |
|----------------|---------------------|---|
| No. OF POLES   | Color               | G RoHS compliant (lead<4%)<br>In copper Alloy |
| 02 2 CONTACTS  | 0 Black (RAL9005)   | 0000: "@" Logo (Standard)                     |
| 03 3 CONTACTS  | 2 Red (RAL3001/D)   | 000A: "ANYTEK" Mark                           |
| ...            | 3 Orange(RAL2011/P) | Any special item by customer request.         |
| 24 24 CONTACTS | 4 Yellow(RAL1018/A) | please contact sales department.              |
|                | 5 Green(RAL6018/T)  |   |
|                | 6 Blue (RAL5015/A)  |   |
|                | 8 Grey(RAL7035/D)   |   |
|                | 9 White(RAL1102)    |   |
|                | C Green(RAL6018/U)  |   |



Dimension

N= Number of poles

Dimension	Value	Poles	Tolerance
Dim L	N×5.08	2p-5p	±0.15
Dim B	(N-1)×5.08	6p-10p	±0.25
Dim C	(N-1)×5.08	11p-15p	±0.30
		16p-24p	±0.40

<b>ANYTEK</b>		<b>CUSTOMER COPY</b>		ALL RIGHTS RESERVED. REPRODUCTION OR ISSUE TO THIRD PARTIES IN ANY FORM WHATSOEVER IS NOT PERMITTED WITHOUT WRITTEN AUTHORITY FROM THE PROPRIETOR. PROPERTY OF ANYTEK TECHNOLOGY CO., LTD			
				TITLE VS 5.08 Series Close Vertical		PART NO. VSxx51x0xxxxG	
APPROVED	CHECKED	DESIGNED	DRAWN	CUST NO.		Tolerance	
		Chen Bo 11/18`13	Chen Bo 11/18`13			UNIT: mm	X. ±0.50
				SHEET: 01/01		SCALE: NONE	X.X ±0.30
				REV.: D			X.XX ±0.10
							X° ±1°