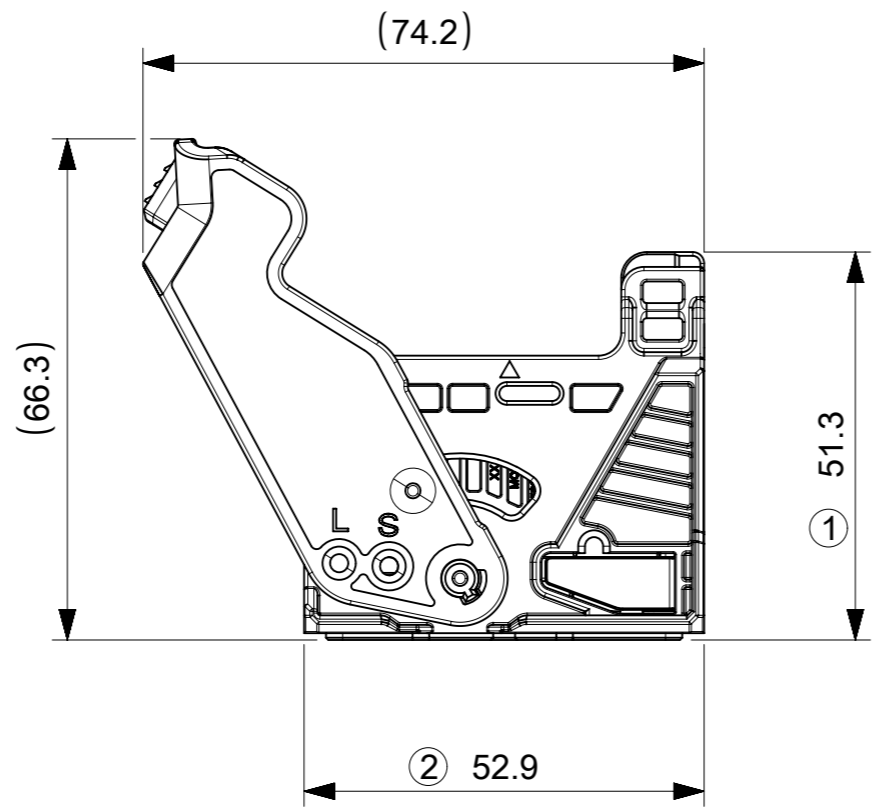
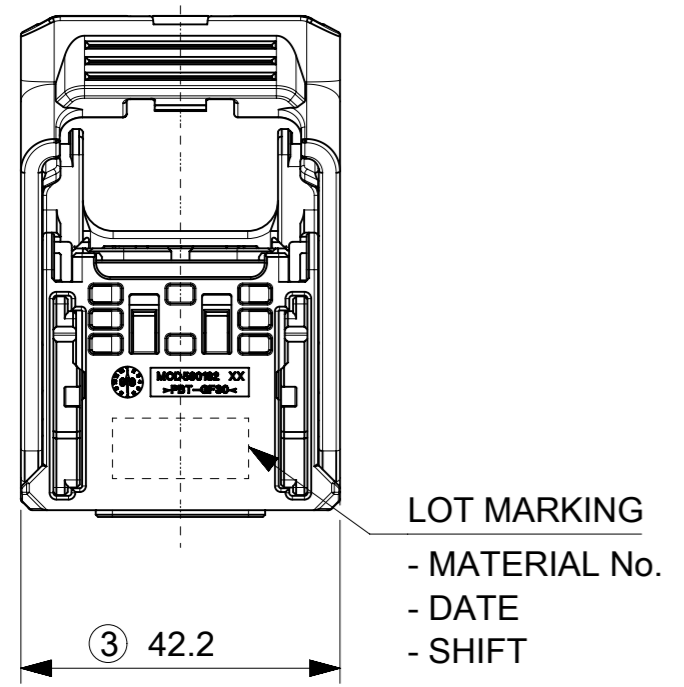
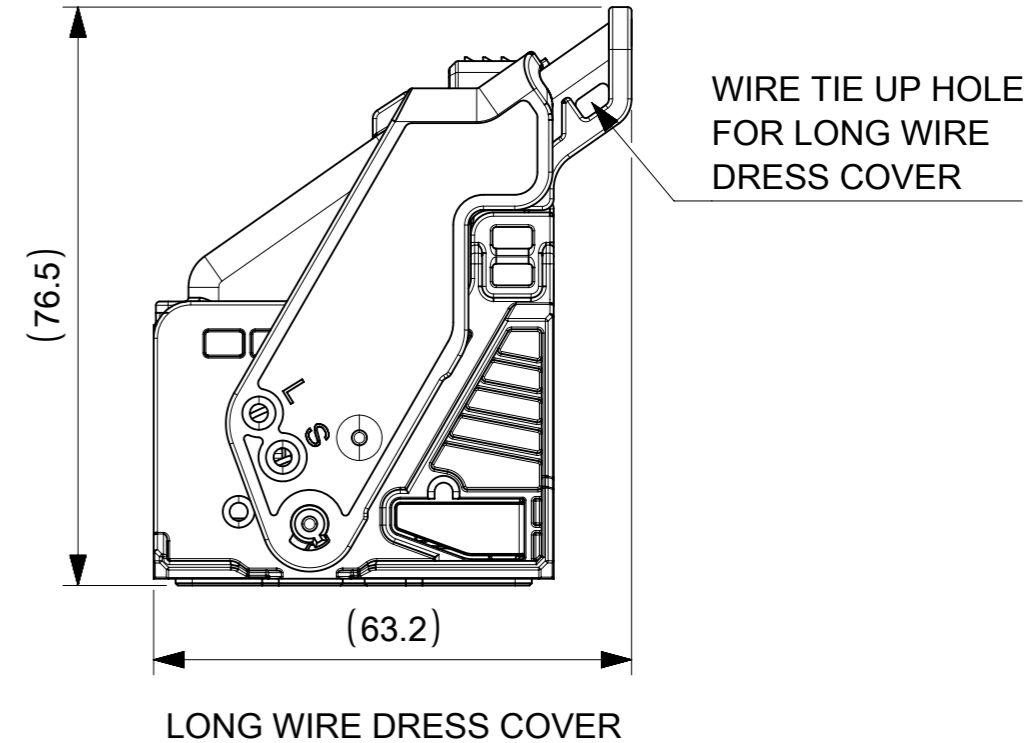
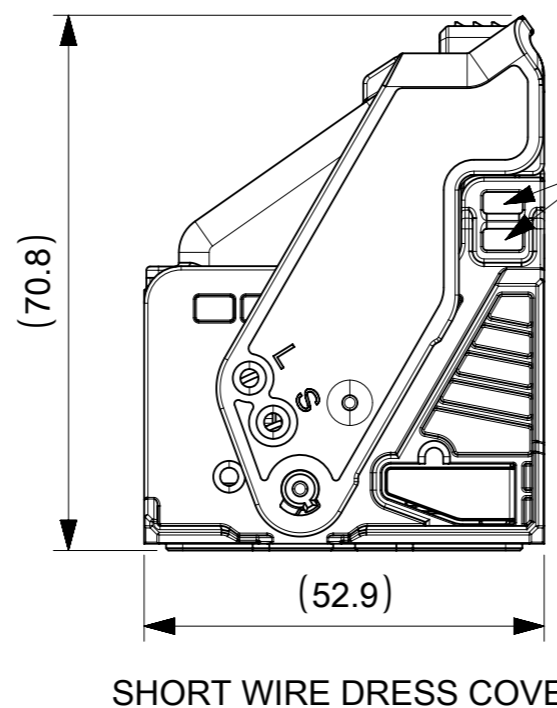
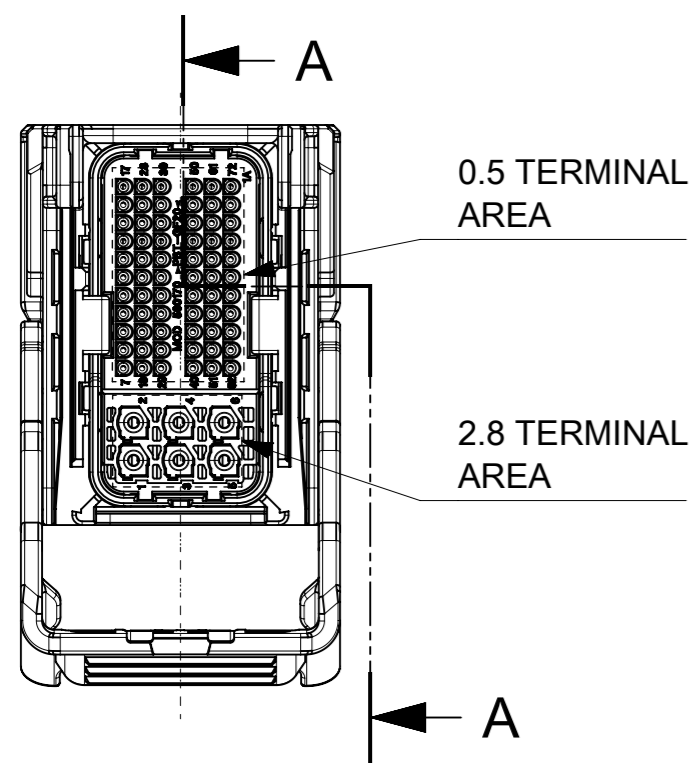


WIRE DRESS COVER OPTION



NOTES

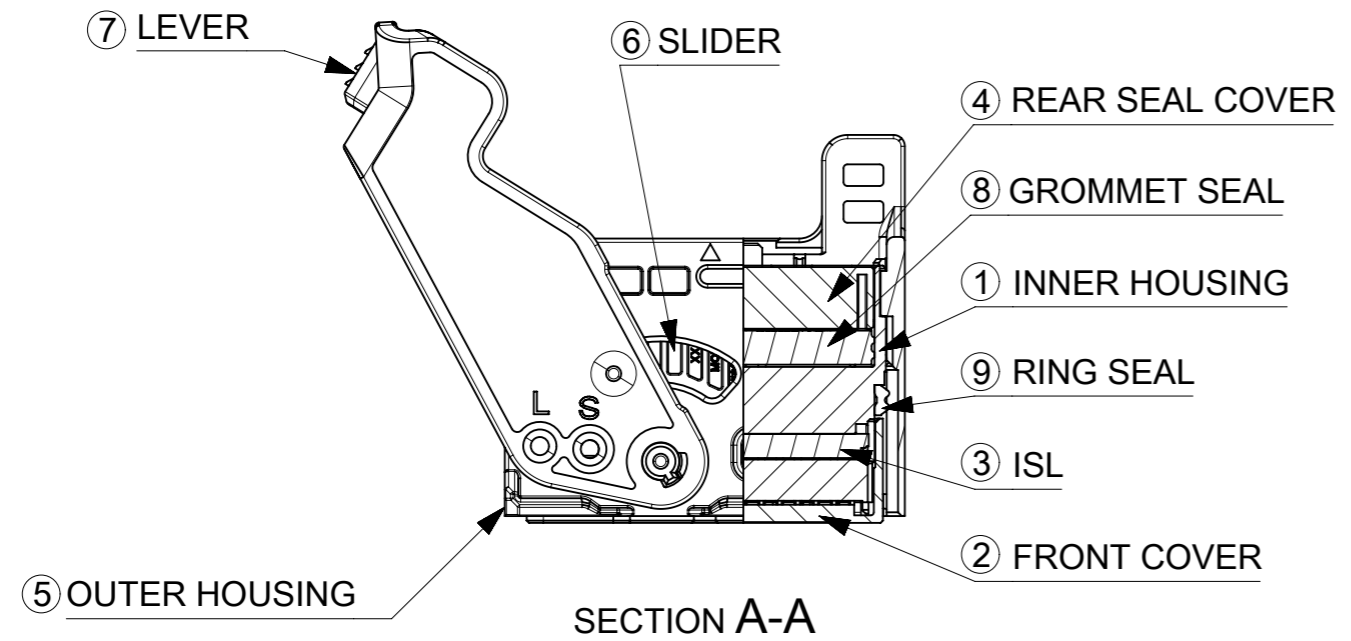
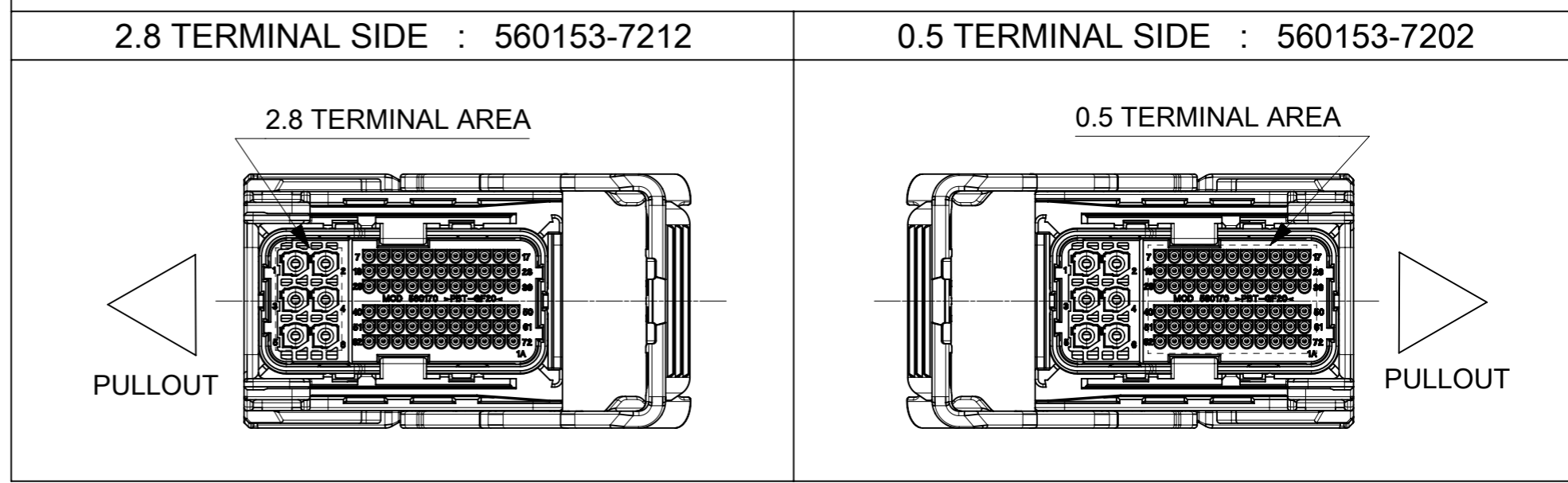
- 1. APPLICABLE TERMINAL
0.5 : 560121 SERIES
2.8 : 560122 SERIES
- 2. APPLICABLE WIRE SIZE
0.5 : REFER AS-560121-001
2.8 : REFER AS-560122-001
- 3. APPLICABLE INSULATION DIAMETER
0.5 : $\varnothing 1.1 \sim 1.7$ mm
2.8 : $\varnothing 2.5 \sim 3.0$ mm
- 4. APPLICABLE DUMMY PLUG
0.5 : 560144-0115
2.8 : 560145-0101
- 5. APPLICABLE WIRE DRESS COVER
SHORT : 560190-0101
LONG : 560190-0111

0.5 TERMINAL SIDE	560153-7202
2.8 TERMINAL SIDE	560153-7212
WIRE PULLOUT DIRECTION	MATERIAL No.

GENERAL TOLERANCES (UNLESS SPECIFIED)		
10 UNDER	± 0.3	
10 OVER 30 UNDER	± 0.4	
30 OVER	± 0.5	
ANGULAR	$\pm 5^\circ$	

THIS DRAWING CONTAINS INFORMATION THAT IS PROPRIETARY TO MOLEX ELECTRONIC TECHNOLOGIES, LLC AND SHOULD NOT BE USED WITHOUT WRITTEN PERMISSION		CURRENT REV DESC:		molex	
DIMENSION UNITS	SCALE	EC NO: 620306			
mm	1:1	DRWN: KKATO01 2019/05/30		COMPACTUS 72WAY ASSY	
GENERAL TOLERANCES (UNLESS SPECIFIED)		CHK'D: TIIDA01 2019/07/17			
ANGULAR TOL	\pm	APPR: TOSADA 2019/07/18		PRODUCT CUSTOMER DRAWING	
4 PLACES	\pm	INITIAL REVISION:		DOCUMENT NUMBER	
3 PLACES	\pm	DRWN: KKATO01 2019/05/30		5601530001-SD	
2 PLACES	\pm	APPR: TOSADA 2019/07/18		DOC TYPE	
1 PLACE	\pm	MATERIAL NUMBER		PSD	
0 PLACES	\pm	CUSTOMER		000	
DRAFT WHERE APPLICABLE MUST REMAIN WITHIN DIMENSIONS		THIRD ANGLE PROJECTION	DRAWING	SERIES	SHEET NUMBER
			A3-SIZE	560153	1 OF 2

WIRE PULLOUT DIRECTION



No.	PRODUCT NAME	MATERIAL	COLOR
1	INNER HOUSING	PBT, UNFILLED	BLACK
2	FRONT COVER	PBT, GLASS-FILLED	BLACK
3	ISL	PBT, GLASS-FILLED	NATURAL (WHITE)
4	REAR SEAL COVER	PBT, GLASS-FILLED	BLACK
5	OUTER HOUSING	PBT, GLASS-FILLED	BLACK
6	SLIDER	PA, GLASS-FILLED	BLACK
7	LEVER	PBT, GLASS-FILLED	DARK GRAY
8	GROMMET SEAL	SILICONE RUBBER	DARK BLUE
9	RING SEAL	SILICONE RUBBER	RED-BROWN

THIS DRAWING CONTAINS INFORMATION THAT IS PROPRIETARY TO MOLEX ELECTRONIC TECHNOLOGIES, LLC AND SHOULD NOT BE USED WITHOUT WRITTEN PERMISSION

DIMENSION UNITS mm	SCALE 1:1	CURRENT REV DESC:	molex		
GENERAL TOLERANCES (UNLESS SPECIFIED)		EC NO: 620306			
ANGULAR TOL ± °		DRWN: KKATO01	PRODUCT CUSTOMER DRAWING		
4 PLACES ±		CHK'D: TIIDA01	DOCUMENT NUMBER		
3 PLACES ±		APPR: TOSADA	5601530001-SD		
2 PLACES ±		INITIAL REVISION:	DOC TYPE	DOC PART	REVISION
1 PLACE ±		DRWN: KKATO01	PSD	000	A
0 PLACES ±		APPR: TOSADA	SHEET NUMBER		
DRAFT WHERE APPLICABLE MUST REMAIN WITHIN DIMENSIONS	THIRD ANGLE PROJECTION	DRAWING	SERIES	MATERIAL NUMBER	CUSTOMER
		A3-SIZE	560153	SEE TABLE	GENERAL