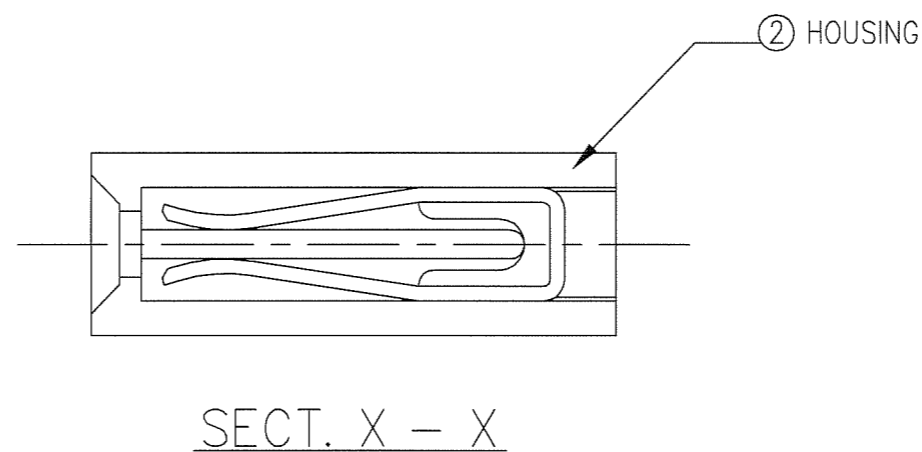
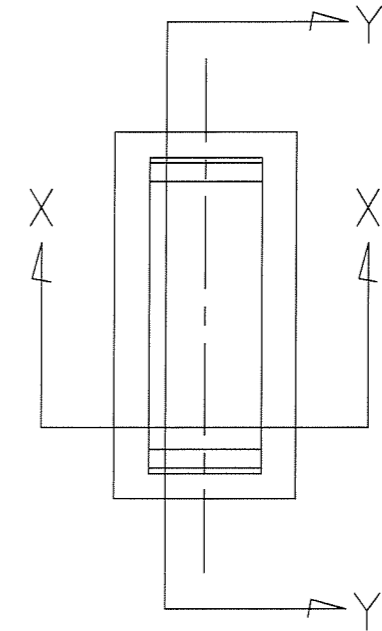
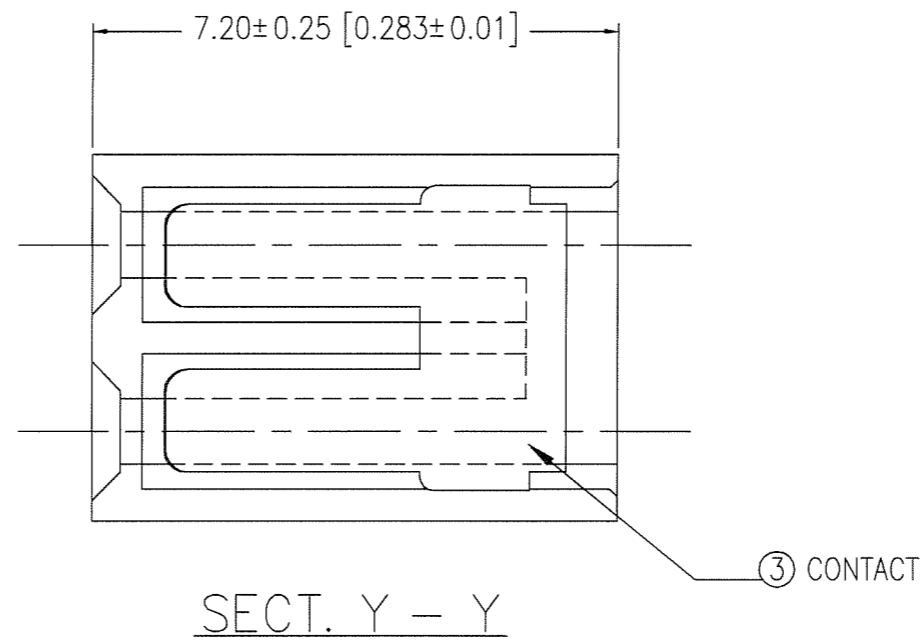
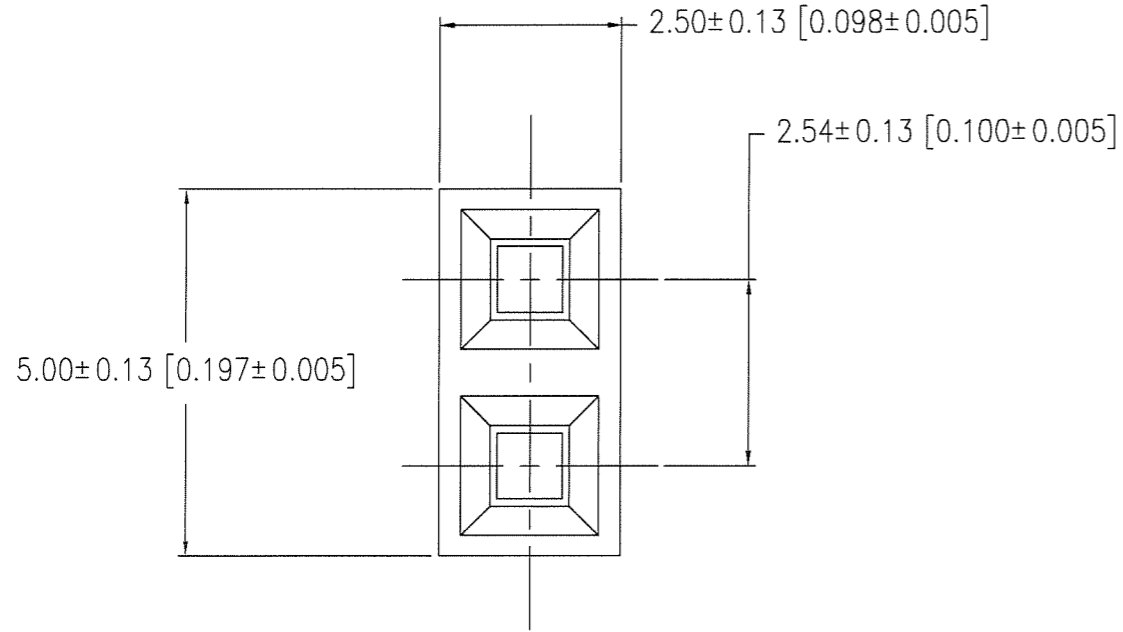


PRODUCT NO.

66464-102



NOTE

1 HEADER :

PIN SIZE 0.64±0.025 [.025±.001], SQUAER PIN
PIN LENGTH 5.84±0.51 [.230±.020]

② HOUSING :

MAT'L 15% GLASS FILLED PBT(UL94-V0)
COLOR BLACK

③ CONTACT :

MAT'L t=0.2[.0079] PHOSPHOR BRONZE
PLATING
CONTACT Au 0.5um min. [19u" min.]
OVER Ni 1.27um min. [50u" min.]
OTHER Ni 1.27um min. [50u" min.]

mat'l. code					surface ISO 1302	tolerance ISO 406 ISO 1101	projection mm[inch]	product family 5NEF - SHUNTS	CODE JP	
ltr	description	ecn no	dr	date	tolerances unless otherwise specified		scale 10:1	title 2POS. MINI JUMP CONN.		
C	REVISED	J8334	F.K	1986-8-21	angles	0.X		FCJ	dwg no 66464	
D	REVISED	J10-0128	S.W	2010-5-19	linear	0.XX			sheet 1 of 1 size A3	
					0'±X'	0.XXX	type Product Customer Drawing		Rev. D	
sheet index	revision sheet	D								
		1								

FCI CONFIDENTIAL



FCIconnect.com

Copyright FCI