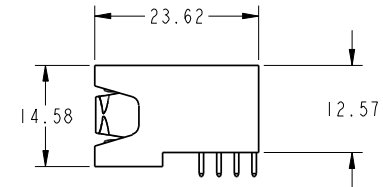
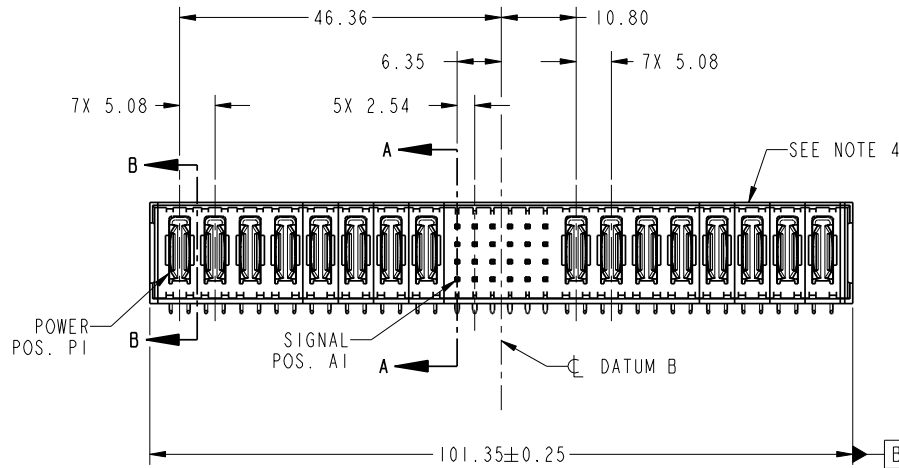


Tous droits strictement réservés. Reproduction ou communication o des liens interdite sous quelque forme que ce soit sans autorisation écrite du propriétaire. Propriete de c FCI. Droits de reproduction FCI.



All rights strictly reserved. Reproduction or issue to third parties in any form whatever is not permitted without written authority from the proprietor. Property of FCI. Copyright FCI.

| PRODUCT NO. | ROWS | POWER | | | | | | | | SIGNAL | | | | | | POWER | | | | | | | | | | | | | | | |
|-----------------------|------------------|-------|----|----|----|----|----|----|----|--------|---|---|---|---|---|-------|-----|-----|-----|-----|-----|-----|-----|----|----|----|----|----|----|----|----|
| | | P1 | P2 | P3 | P4 | P5 | P6 | P7 | P8 | 1 | 2 | 3 | 4 | 5 | 6 | P9 | P10 | P11 | P12 | P13 | P14 | P15 | P16 | | | | | | | | |
| 51939-578-- NOTE 3 | D C B A | PA | PA | PA | PA | PA | PA | PA | PA | U | U | U | U | U | U | S | S | S | S | S | S | S | S | PA | PA | PA | PA | PA | PA | PA | PA |



| CODE | DIM "M" MATING LENGTH | CONTACT TYPE |
|------|-----------------------|--------------|
| U | [6.86] | SIGNAL |
| T | [6.86] | SIGNAL |
| S | [6.86] | SIGNAL |
| R | [6.86] | SIGNAL |
| PA | [N/A] | POWER |

| | | | | | | | | | |
|-------------|----------------|----|----------|----------|----------------------|---------------------------------------|--|---------------------------|--|
| mat'l code | | | | SEE NOTE | | tolerances unless otherwise specified | | CUSTOMER | |
| lfr | ecn no. | dr | date | linear | 0.X ±0.5 | COPY | | FCI | |
| A | DG11-0031 | X0 | 01/28/11 | linear | 0.XX ±0.25 | projection | | www.fciconnect.com | |
| | | | | angles | 0.XXX ±0.1 | MM | | title | |
| | | | | dr | 0° ±2° | scale | | 8P + 24S + 8P | |
| | | | | engr | XQ Wang 01/28/11 | 1:1 | | RIGHT ANGLE SOLDER HEADER | |
| | | | | chr | Anson Liu 01/29/11 | | | product family | |
| | | | | appd | PM Zheng 01/28/11 | | | PwrBlade | |
| | | | | | Joseph Hsia 01/28/11 | | | code | |
| sheet index | revision sheet | A | A | A | A | | | 213 | |
| | | 1 | 2 | 3 | 4 | | | sheet | |
| | | | | | | | | 1 of 4 | |

| | | |
|-----------|-----------|--------|
| size | dwg no | code |
| A | 51939-578 | 213 |
| cage code | | sheet |
| 22526 | | 1 of 4 |

Pro/E

PDM: Rev:A

STATUS:Released

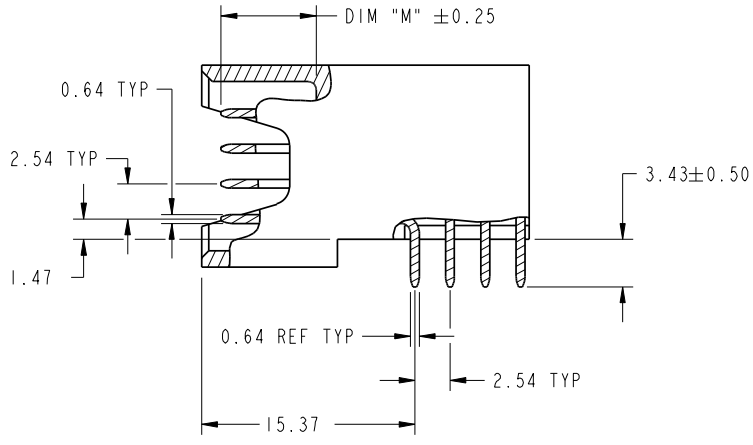
Printed: Feb 12, 2011

Tous droits strictement réservés. Reproduction ou communication o des liens interdite sous quelque forme que ce soit sans autorisation écrite du propriétaire. Propriete de c FCI. Droits de reproduction FCI.

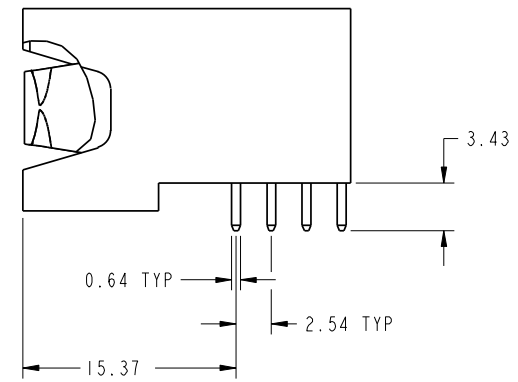
All rights strictly reserved. Reproduction or issue to third parties in any form whatever is not permitted without written authority from the proprietor. Property of FCI. Copyright FCI.



PRODUCT NUMBER
51939-578...
NOTE: 3



BROKEN-OUT SECTION A-A
SCALE 2:1



BROKEN-OUT SECTION B-B
SCALE 2:1

| | | | | | | | | | | | | | |
|-------------|----------------|----|------|----------|-------------|---------------------------------------|--|----------|--|---------------------------|--|--------------------|--|
| mail code | | | | SEE NOTE | | tolerances unless otherwise specified | | CUSTOMER | | FCI | | www.fciconnect.com | |
| ltr | ecn no. | dr | date | linear | 0.X ± 0.5 | projection | | COPY | | title | | 8P + 24S + 8P | |
| A | | | | angles | 0.XX ± 0.25 | MM | | A | | RIGHT ANGLE SOLDER HEADER | | | |
| | | | | dr | 0.XXX ± 0.1 | scale | | 1:1 | | product family | | PwrBlade | |
| | | | | engr | 0° ± 2° | | | | | size | | 213 | |
| | | | | chr | | | | | | A | | sheet | |
| | | | | appd | | | | | | 51939-578 | | 2 of 4 | |
| sheet index | revision sheet | | | | | | | | | | | | |
| | | | | | | | | | | | | | |

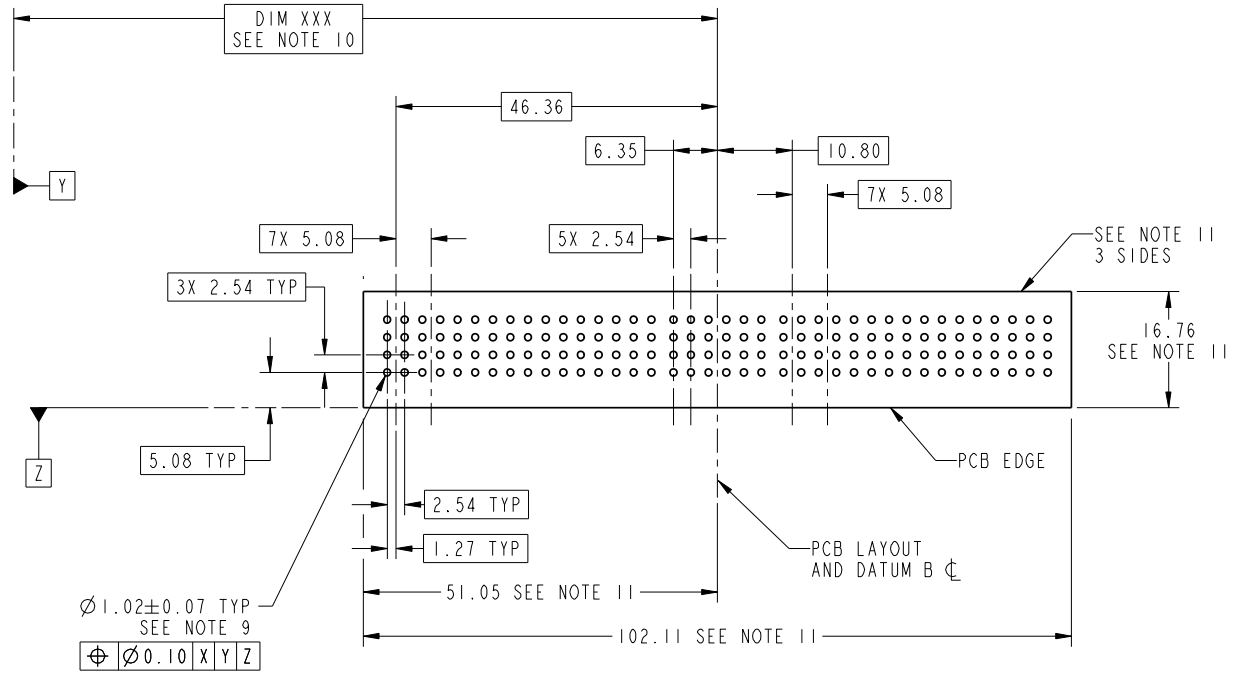
cage code 22526

Tous droits strictement réservés. Reproduction ou communication o des liens interdite sous quelque forme que ce soit sans autorisation écrite du propriétaire. Propriete de c FCI. Droits de reproduction FCI.



All rights strictly reserved. Reproduction or issue to third parties in any form whatever is not permitted without written authority from the proprietor. Property of FCI. Copyright FCI.

PRODUCT NUMBER
51939-578...
NOTE: 3



RECOMMENDED PCB LAYOUT

| | | | | | | | | | | | |
|-------------|----------------|----|------|----------|------------|---------------------------------------|--|----------------|--|--|--|
| mat'l code | | | | SEE NOTE | | tolerances unless otherwise specified | | CUSTOMER | | FCI www.fciconnect.com | |
| lfr | ecn no. | dr | date | linear | 0.X ±0.5 | COPY | | projection | | title | |
| A | | | | angles | 0.XX ±0.25 | MM | | ⊕ | | 8P + 24S + 8P RIGHT ANGLE SOLDER HEADER | |
| | | | | dr | 0.XXX ±0.1 | XQ Wang 01/28/11 | | product family | | PwrBlade code | |
| | | | | engr | 0° ±2° | Anson Liu 01/29/11 | | size | | 213 | |
| | | | | chr | | PM Zheng 01/28/11 | | A | | 51939-578 | |
| | | | | appd | | Joseph Hsia 01/28/11 | | scale | | 3 of 4 | |
| sheet index | revision sheet | | | | | | | | | | |

cage code 22526

Pro/E

PDM: Rev:A

STATUS:Released

Printed: Feb 12, 2011

Tous droits strictement réservés. Reproduction ou communication o des liens interdite sous quelque forme que ce soit sans autorisation écrite du propriétaire. Propriete de c FCI. Droits de reproduction FCI.



All rights strictly reserved. Reproduction or issue to third parties in any form whatever is not permitted without written authority from the proprietor. Property of FCI. Copyright FCI.

PRODUCT NUMBER
51939-578..
NOTE: 3

NOTES:

1. DIMENSIONS AND TOLERANCES ARE IN ACCORDANCE WITH ASME Y14.5M, 1994 UNLESS OTHERWISE SPECIFIED.

CONNECTOR NOTES:

- 2. HOUSING MATERIAL: UL 94 V-0 GLASS FILLED HIGH-TEMP THERMOPLASTIC
POWER CONTACT MATERIAL: COPPER ALLOY
SIGNAL PIN MATERIAL: COPPER ALLOY
- 3. SEE ITEM 1 & 2 IN PRINT 10064183 FOR PLATING SPEC OF 51939-578 AND 51939-578LF RESPECTIVELY.
- 4. MANUFACTURER'S NAME, DATE CODE AND OPTIONAL P/N TO APPEAR ON THIS SURFACE. THE P/N CAN BE OMITTED IF THERE IS NOT ENOUGH SPACE ON THIS SURFACE.
- 5. PRODUCT SPECIFICATION GS-12-149.
APPLICATION SPECIFICATION BUS-20-067.
- 6. PACKAGED IN TRAYS.

PCB NOTES:

- 7. ALL HOLE DIAMETERS ARE FINISHED HOLE SIZE.
- 8. MOUNTING HOLES, WHERE APPLICABLE, ARE UNPLATED.
- 9. $\varnothing 1.151 \pm 0.025$ DRILLED HOLES PLATED WITH
0.008 MIN SnPb OR Sn OVER 0.03
TO 0.08 Cu PLATING TO ACHIEVE
 $\varnothing 1.02 \pm 0.07$ HOLE.
- 10. "DIM XXX" TO BE DETERMINED BY THE CUSTOMER.
- 11. CONNECTOR KEEP-OUT ZONE.

| | | | | | | | | | | | |
|-------------|----------------|----------|------|---------------------------------------|----------------------|----------|--|----------------|--|--|--|
| mat'l code | | SEE NOTE | | tolerances unless otherwise specified | | CUSTOMER | | FCI | | www.fciconnect.com | |
| lfr | ecn no. | dr | date | linear | 0.X ± 0.5 | COPY | | projection | | title | |
| A | | | | | 0.XX ± 0.25 | MM | | | | 8P + 24S + 8P RIGHT ANGLE SOLDER HEADER | |
| | | | | angles | 0.XXX ± 0.1 | scale | | product family | | code | |
| | | | | dr | 0° ± 2° | 1:1 | | PwrBlade | | 213 | |
| | | | | engr | XQ Wang 01/28/11 | | | size | | sheet | |
| | | | | chr | Anson Liu 01/29/11 | | | A | | 4 of 4 | |
| | | | | appd | PM Zheng 01/28/11 | | | 51939-578 | | | |
| | | | | | Joseph Hsia 01/28/11 | | | | | | |
| sheet index | revision sheet | | | | | | | | | | |



MM

1:1

product family
PwrBlade
size
A
51939-578

cage code
22526

Pro/E

PDM: Rev:A

STATUS: Released

Printed: Feb 12, 2011