

SACC-DSI-M12FS-12CON-M16/2,0 - Device connector, rear mounting



1458790

<https://www.phoenixcontact.com/us/products/1458790>

Please be informed that the data shown in this PDF document is generated from our online catalog. Please find the complete data in the user documentation. Our general terms of use for downloads are valid.



Device connector, rear mounting, 12-position, Flush-type female connector, straight, M12, coding: A , on free cable end, Rear mounting, M16 x 1.5, Individual wires, cable length: 2 m, TPE litz wire, Alternative product in accordance with RoHS II without Exemption 6c (Pb <0.1%) item no.: 1239856

Commercial data

Item number	1458790
Packing unit	1 pc
Minimum order quantity	1 pc
Sales key	AB24
Product key	ABQCHB
GTIN	4046356645041
Weight per piece (including packing)	73 g
Weight per piece (excluding packing)	71.6 g
Customs tariff number	85444290
Country of origin	DE

SACC-DSI-M12FS-12CON-M16/2,0 - Device connector, rear mounting



1458790

<https://www.phoenixcontact.com/us/products/1458790>

Technical data

Notes

General	Lock nut is included in the scope of delivery
---------	---

Mounting

Mounting type	Rear mounting M16 x 1.5 With flat nut
Assembly instructions	With flat nut
Connection method	Individual wires

Product properties

Product type	Circular connectors (device side)
Number of positions	12
No. of cable outlets	1
Shielded	no
Coding	A
Thread type	M12

Insulation characteristics

Overvoltage category	II
Degree of pollution	3

Material specifications

Flammability rating according to UL 94	V0
Seal material	NBR
Contact material	CuZn
Contact surface material	Au
Contact carrier material	PA 6.6
Material for screw connection	Zinc die-cast, nickel-plated
Conductor material	Tin-plated Cu litz wires

Electrical properties

Rated surge voltage	0.8 kV
Contact resistance	$\leq 3 \text{ m}\Omega$
Insulation resistance	$\geq 100 \text{ M}\Omega$
Nominal voltage U_N	30 V
Nominal current I_N	1.5 A

Connection data

Conductor connection

Connection method	Individual wires
Contact connection type	Socket

SACC-DSI-M12FS-12CON-M16/2,0 - Device connector, rear mounting



1458790

<https://www.phoenixcontact.com/us/products/1458790>

Connector

Connection 1

Head design	Flush-type female connector
Head cable outlet	straight
Head thread type	M12
Coding	A

Connection 2

Head design	free cable end
-------------	----------------

Cable/line

Cable length	2 m
Cable type	TPE litz wire
Single wire, color	color-coded DIN 47100
Conductor material	Tin-plated Cu litz wires
AWG signal line	26

Environmental and real-life conditions

Ambient conditions

Degree of protection	IP67 (When plugged in)
	IP65 (When plugged in)
	IP65/IP67
Ambient temperature (operation)	-25 °C ... 85 °C (Plug / socket)
	-25 °C ... 85 °C (cable, fixed installation)

Standards and regulations

Standard designation	M12 connector
Standards/specifications	IEC 61076-2-101

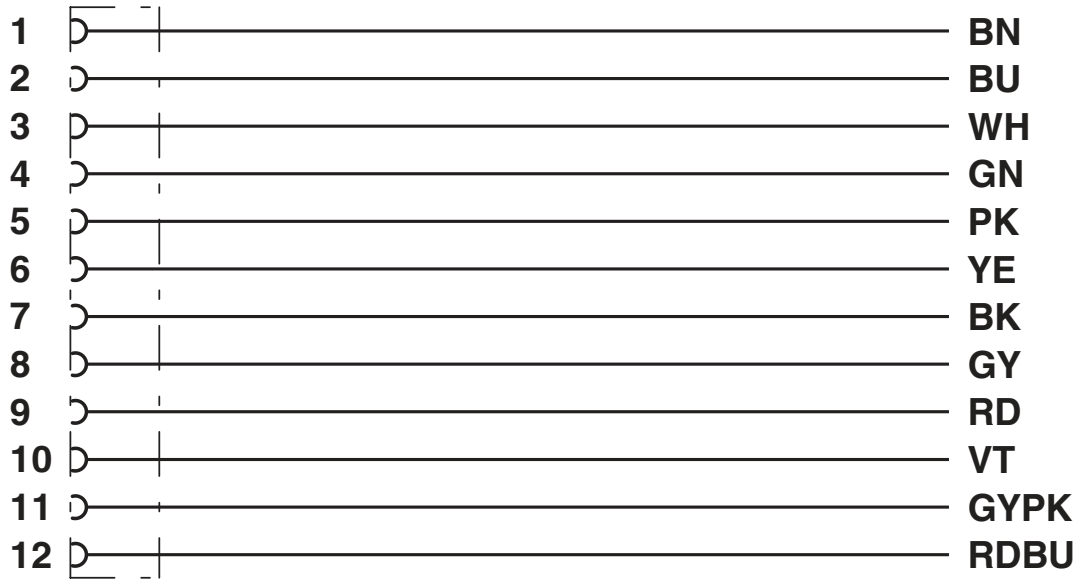
SACC-DSI-M12FS-12CON-M16/2,0 - Device connector, rear mounting

1458790

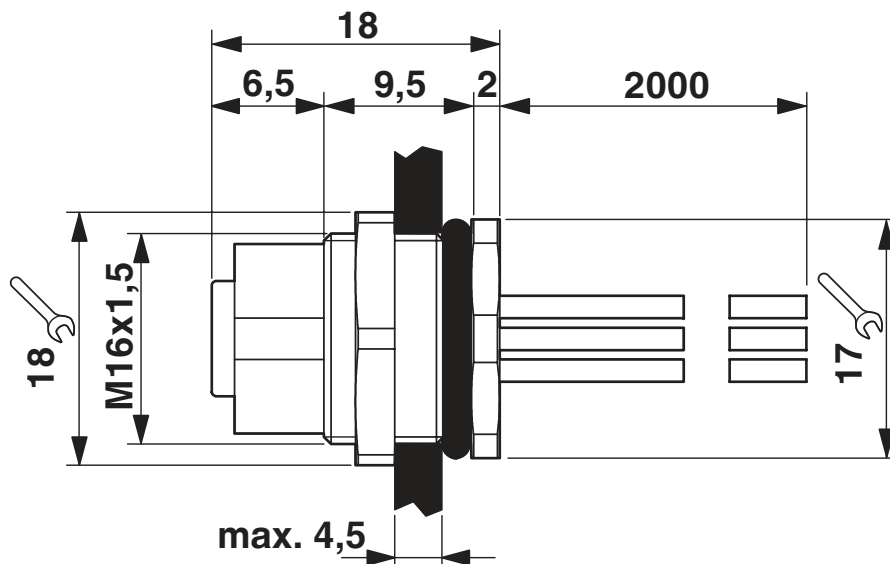
<https://www.phoenixcontact.com/us/products/1458790>

Drawings

Circuit diagram



Dimensional drawing



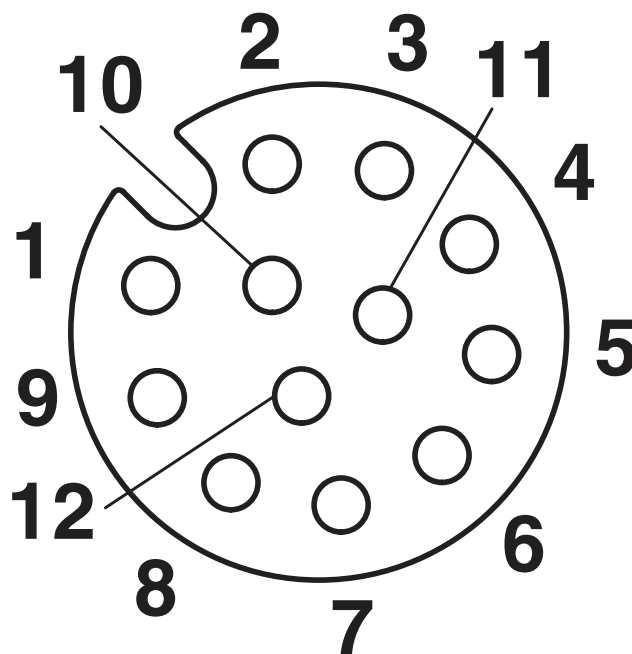
Dimensional drawing

SACC-DSI-M12FS-12CON-M16/2,0 - Device connector, rear mounting

1458790

<https://www.phoenixcontact.com/us/products/1458790>

Schematic diagram



Pin assignment M12, 12-pos., female side view

SACC-DSI-M12FS-12CON-M16/2,0 - Device connector, rear mounting





1458790

<https://www.phoenixcontact.com/us/products/1458790>

Approvals

To download certificates, visit the product detail page: <https://www.phoenixcontact.com/us/products/1458790>

 UL Recognized Approval ID: E118976-20100522	Nominal voltage U_N	Nominal current I_N	Cross section AWG	Cross section mm^2
	30 V	1.5 A	- 26	-

 EAC Approval ID: B.01687
--

 cULus Recognized Approval ID: E221474-20140616	Nominal voltage U_N	Nominal current I_N	Cross section AWG	Cross section mm^2
	30 V	1.5 A	- 26	-

SACC-DSI-M12FS-12CON-M16/2,0 - Device connector, rear mounting



1458790

<https://www.phoenixcontact.com/us/products/1458790>

Classifications

ECLASS

ECLASS-11.0	27440102
ECLASS-12.0	27440116
ECLASS-13.0	27440116

ETIM

ETIM 8.0	EC002635
----------	----------

UNSPSC

UNSPSC 21.0	39121400
-------------	----------

SACC-DSI-M12FS-12CON-M16/2,0 - Device connector, rear mounting



1458790

<https://www.phoenixcontact.com/us/products/1458790>

Environmental product compliance

REACH SVHC	Lead 7439-92-1
China RoHS	Environmentally Friendly Use Period = 50 years
	For information on hazardous substances, refer to the manufacturer's declaration available under "Downloads"

Phoenix Contact 2023 © - all rights reserved
<https://www.phoenixcontact.com>

Phoenix Contact USA
586 Fulling Mill Road
Middletown, PA 17057, United States
(+717) 944-1300
info@phoenixcon.com