

4

3

2

1

THIS DRAWING IS UNPUBLISHED. RELEASED FOR PUBLICATION 20
 © COPYRIGHT 20 BY - ALL RIGHTS RESERVED.

REVISIONS				
P	LTR	DESCRIPTION	DATE	APVD
2		ADD NEW DASH NUMBER	19JUN2015	AD SH
4		REVISE BOM	25JUN2015	AD SH
8		ADDED DASH NUMBER 2288226-4	06FEB2017	TX SH
9		REVISED PER ECN-22-167680	03AUG2022	AK SZ

1. MATERIAL : CAGE : 0.3MM THICK NICKEL SILVER ALLOY;
 EMI SPRING: COPPER ALLOY;
 HEAT SINK CLIP: STAINLESS STEEL;
 HEAT SINK: ALUMINUM ALLOY;
 RECEPTACLE COVER: ZINC ALLOY;

2. FINISH: EMI SPRING -1.27um NICKEL PLATING OVER ALL;
 HEAT SINK: BLACK ANODIZED COATING;
 RECEPTACLE COVER: 1.27um MIN NICKEL PLATING OVER COPPER PLATING;
 HEAT SINK CLIP: PASSIVATE;

3. MATES WITH CFP MSA COMPLIANT TRANSCEIVERS.

4. DATUM AND BASIC DIMENSION ESTABLISHED BY CUSTOMER.

5. MINIMUM PC BOARD THICKNESS: SINGLE SIDE APPLICATIONS=2.99±0.63mm.

6. PADS AND VIAS CHASSIS GROUND;

7. REFERENCE APPLICATION SPEC 114-XXXX, HOLE A, FOR
 RECOMMENDED DRILL HOLE DIAMETER AND PLATING THICKNESS.

O B S O L E T E

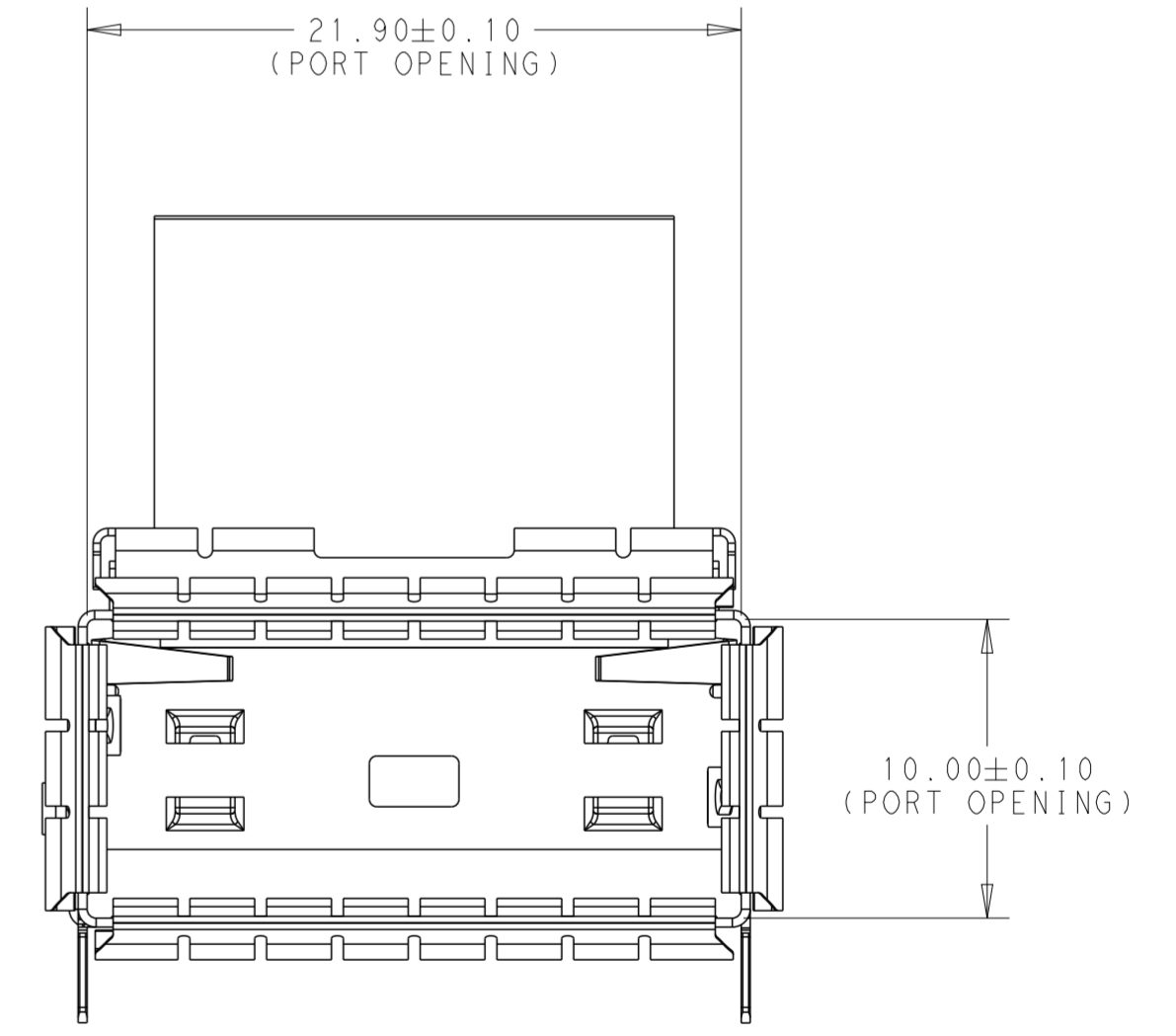
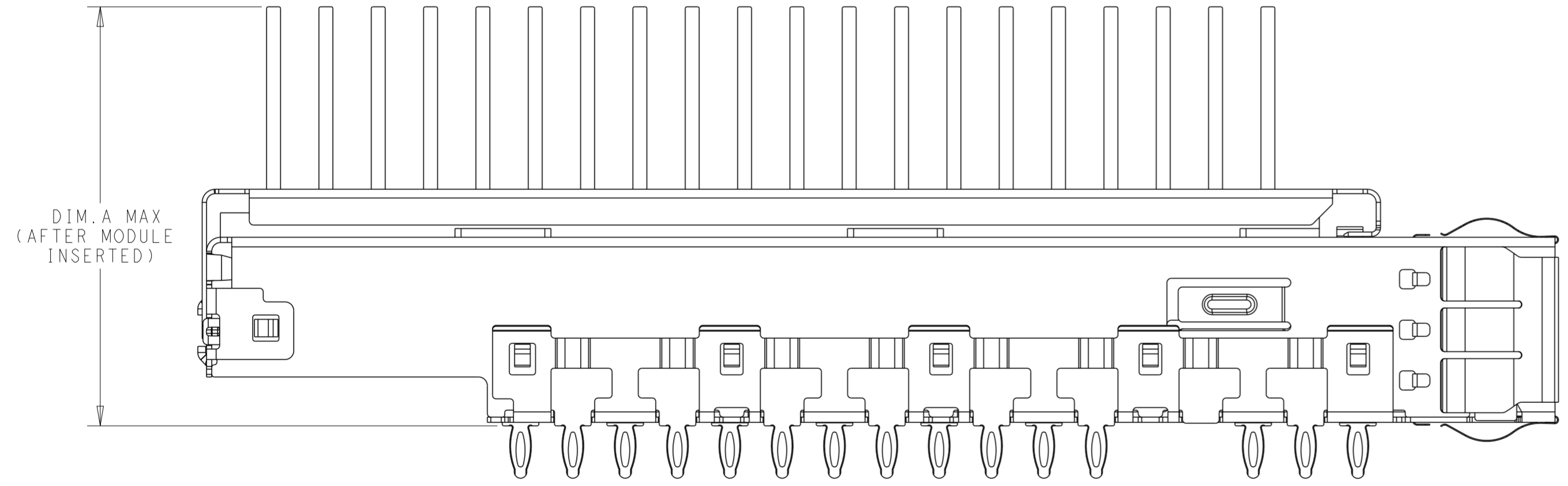
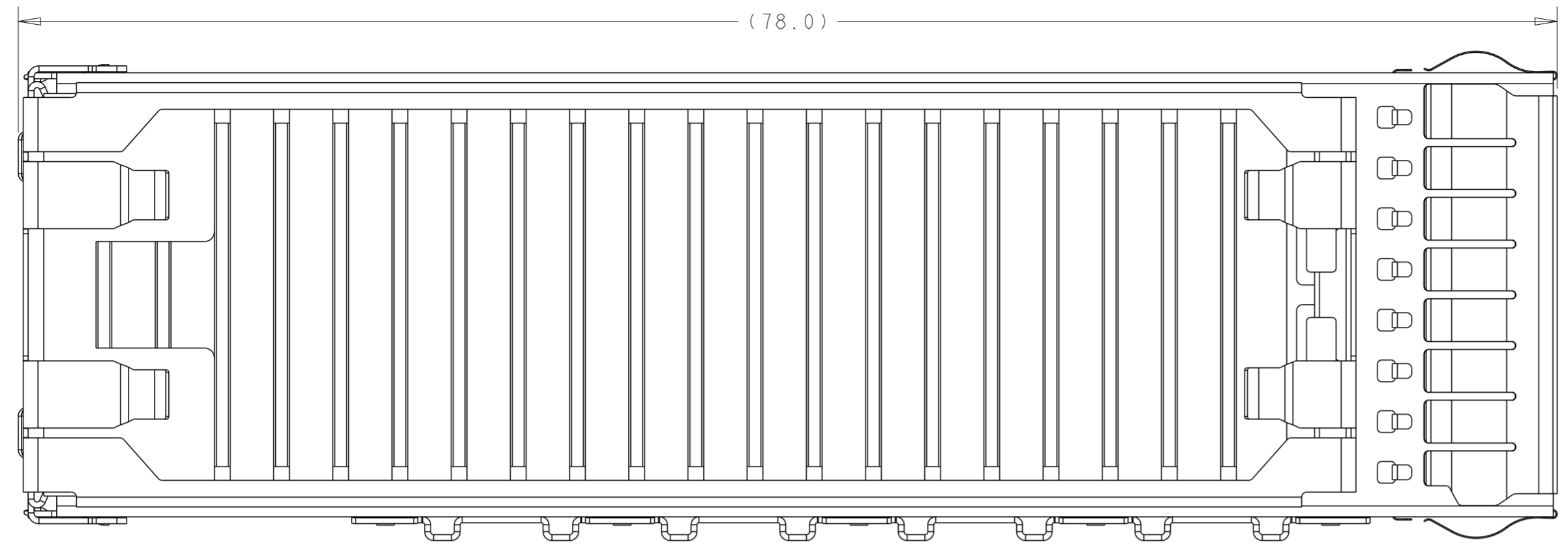
1	-	-	-	2293289-6		
-	1	-	-	2293289-5	CAGE ASSEMBLY WITH HS, CFP4 1X1	4
-	-	1	-	2293289-2		
2	2	2	2	2292789-1	SCREW	3
1	1	1	1	2288228-1	RECEPTACLE COVER ASSEMBLY	2
-	-	-	1	2293289-1	CAGE ASSEMBLY WITH HS, CFP4 1X1	1
-4	-3	-2	-1	PAR NUMBER	DESCRIPTION	ITEM

DIMENSIONS:		TOLERANCES UNLESS OTHERWISE SPECIFIED:		APVD		NAME	
mm		0 PLC	±	DWN	ANDY.XIE	12JUN2015	TE Connectivity
		1 PLC	±0.25	CHK	SEAN.HAN	12JUN2015	
		2 PLC	±0.13	APVD	SEAN.HAN	12JUN2015	
		3 PLC	±0.10	PRODUCT SPEC			
		4 PLC	±	APPLICATION SPEC			HARD WARE KIT FOR CFP4 1X1 PRESS FIT (CAGE, HS, HS CLIP, COVER, SCREW)
MATERIAL		ANGLES	±	WEIGHT			SIZE: A2 CAGE CODE: - DRAWING NO: C-2288226
		FINISH	±	CUSTOMER DRAWING			RESTRICTED TO: - SCALE: 1:1 SHEET: 1 OF 7 REV: 9

1471-9 (3/13)


THIS DRAWING IS UNPUBLISHED. RELEASED FOR PUBLICATION 20
 © COPYRIGHT 20 BY - ALL RIGHTS RESERVED.

REVISIONS				
P	LTR	DESCRIPTION	DATE	APVD
-		SEE SHEET 1	-	-



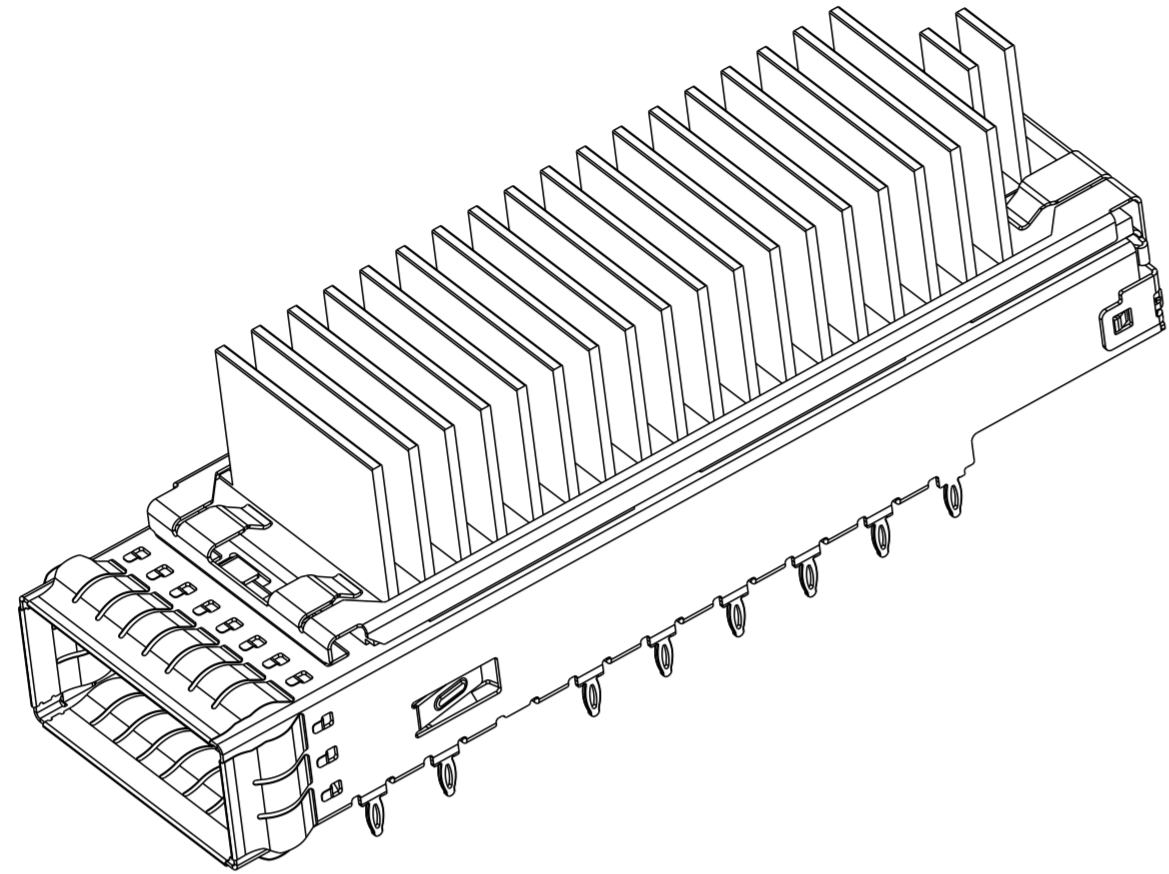
18.5MAX	2293289-6
18.5MAX	2293289-5
25MAX	2293289-2
25MAX	2293289-1
DIM. A	PART NUMBER

OBSOLETE

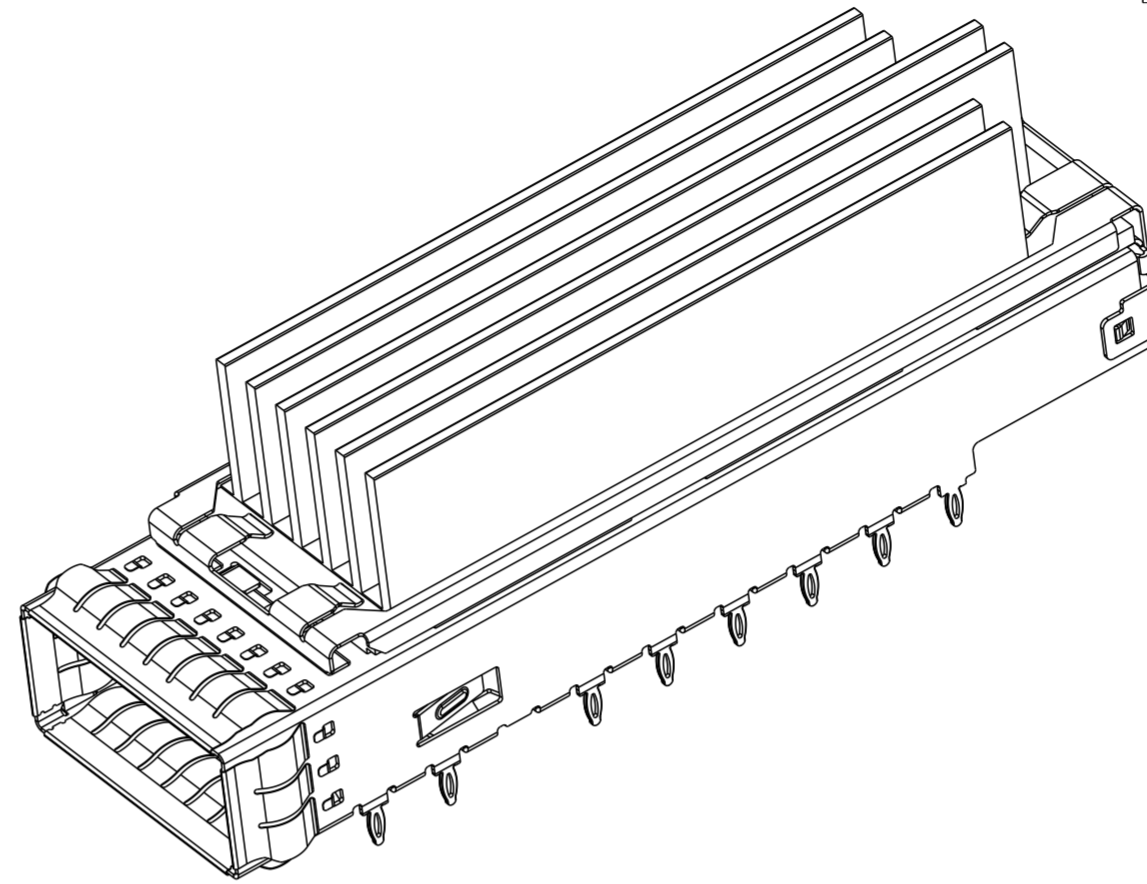
THIS DRAWING IS A CONTROLLED DOCUMENT.		DWN ANDY.XIE 12JUN2015	 TE Connectivity	
DIMENSIONS: mm		CHK SEAN.HAN 12JUN2015		
TOLERANCES UNLESS OTHERWISE SPECIFIED:		APVD SEAN.HAN 12JUN2015	NAME HARD WARE KIT FOR CFP4 1X1 PRESS FIT (CAGE, HS, HS CLIP, COVER, SCREW)	
0 PLC ± 1 PLC ±0.25 2 PLC ±0.13 3 PLC ±0.10 4 PLC ± ANGLES ± FINISH ±		PRODUCT SPEC -	SIZE A2	RESTRICTED TO -
MATERIAL -		APPLICATION SPEC -	CAGE CODE -	DRAWING NO. C-2288226
		WEIGHT -	SCALE 1:1	SHEET 2 OF 7 REV 9
		CUSTOMER DRAWING		

THIS DRAWING IS UNPUBLISHED. RELEASED FOR PUBLICATION 20
 © COPYRIGHT 20 BY - ALL RIGHTS RESERVED.

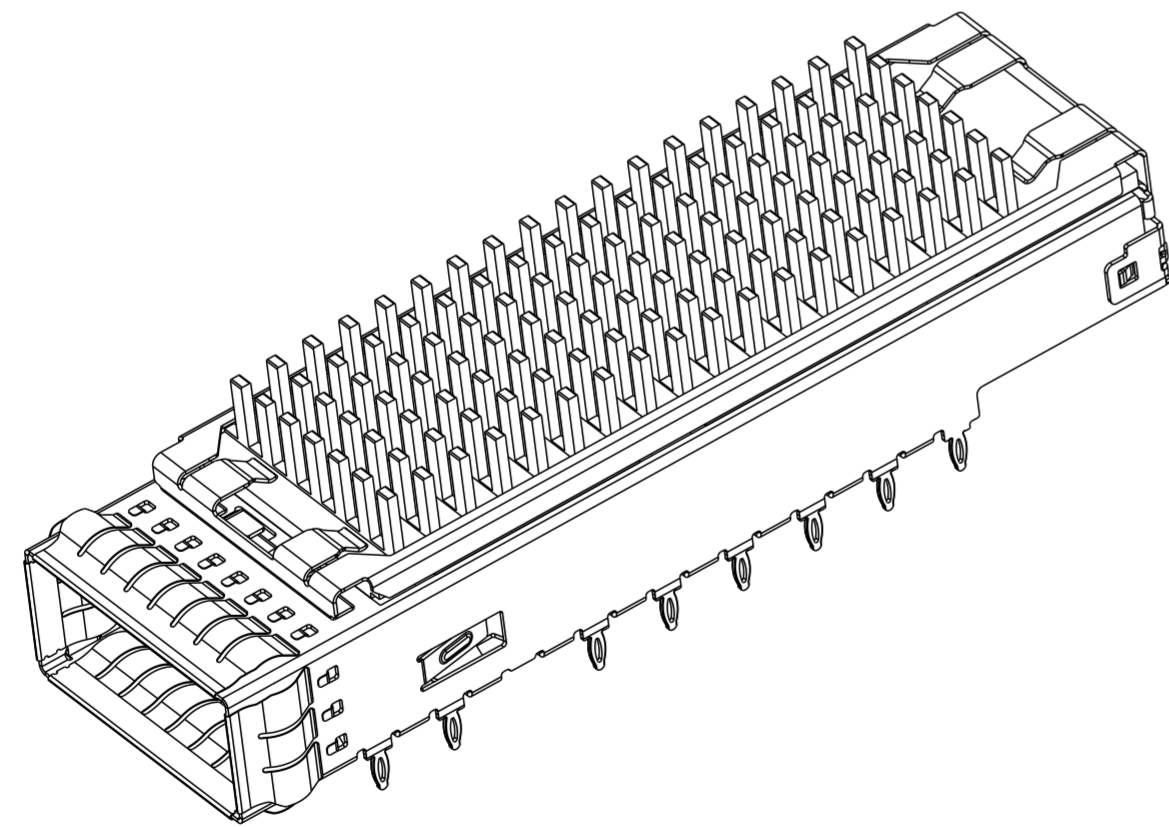
REVISIONS				
P	LTR	DESCRIPTION	DATE	APVD
-		SEE SHEET 1	-	-



2293289-1
 2293289-6
 SCALE 2:1


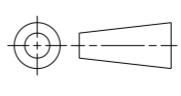


2293289-2
 SCALE 2:1



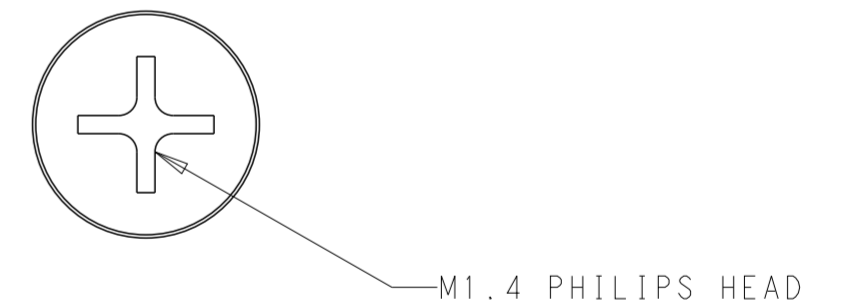
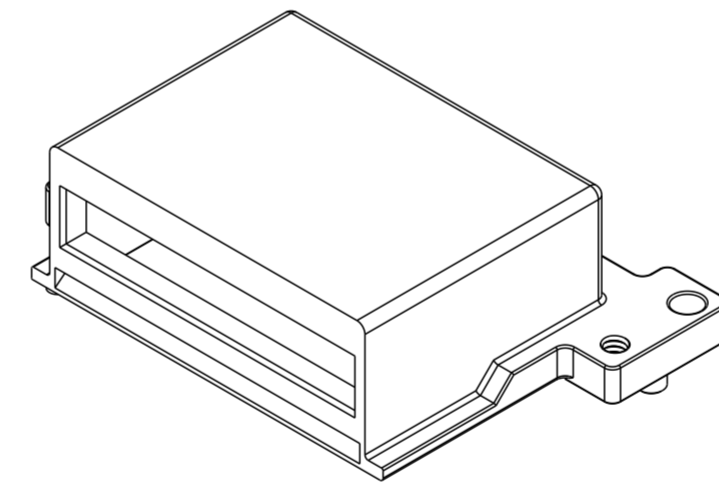
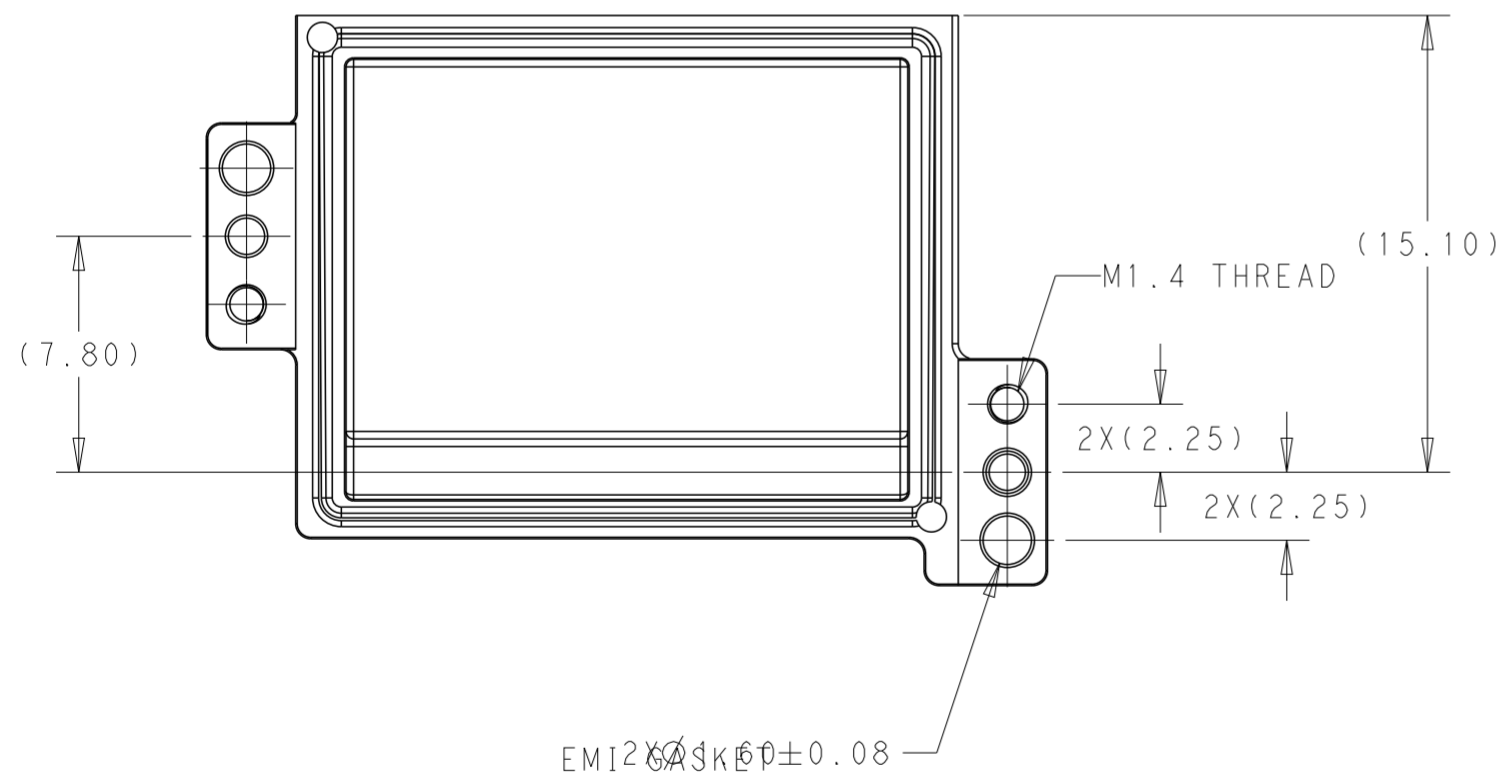
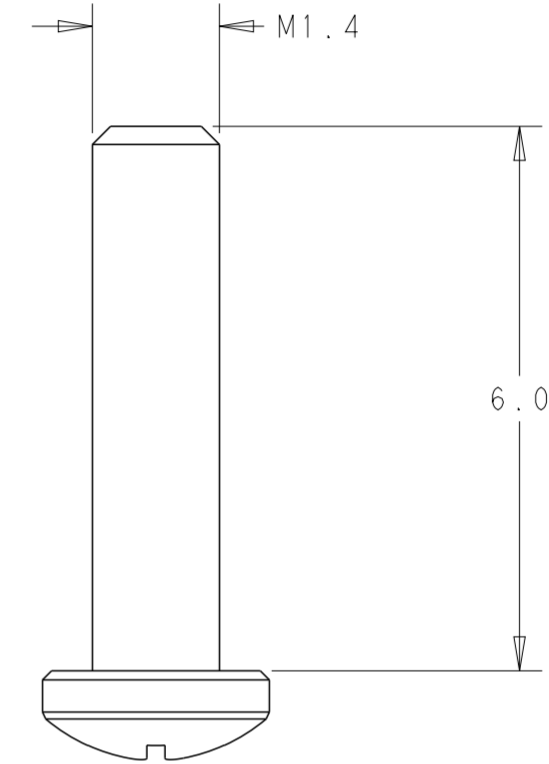
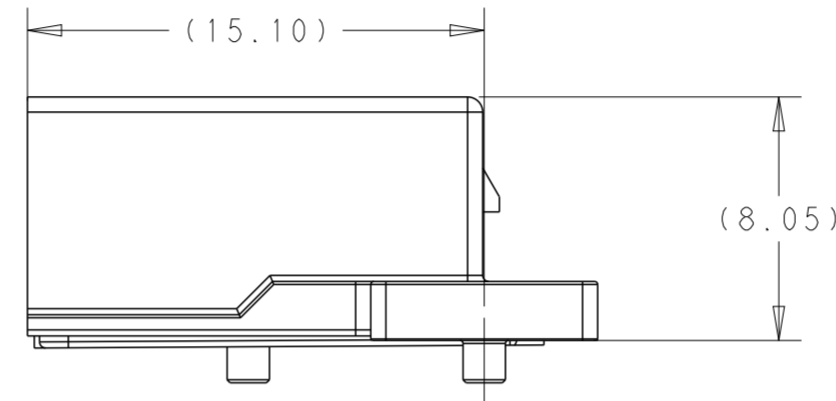
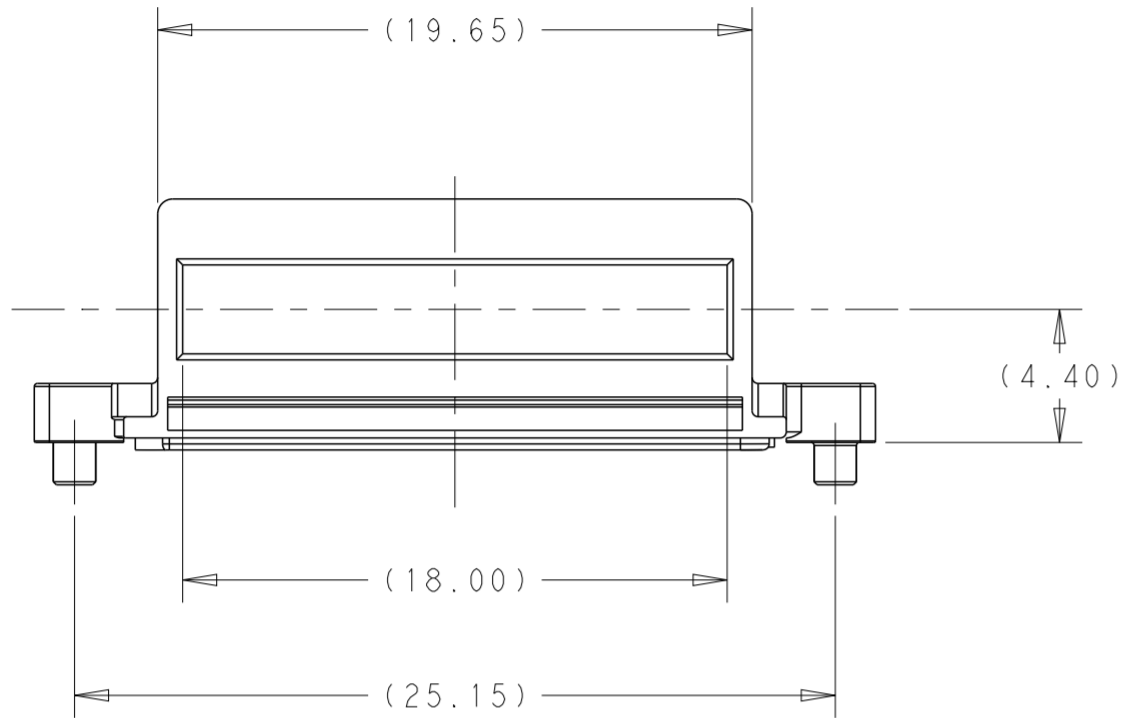
2293289-5
 SCALE 2:1

OBSOLETE

THIS DRAWING IS A CONTROLLED DOCUMENT.		DWN ANDY.XIE 12JUN2015	 TE Connectivity	
DIMENSIONS:		CHK SEAN.HAN 12JUN2015		
mm		APVD SEAN.HAN 12JUN2015		
		PRODUCT SPEC		
TOLERANCES UNLESS OTHERWISE SPECIFIED:		APPLICATION SPEC	NAME HARD WARE KIT FOR CFP4 1X1 PRESS FIT (CAGE, HS, HS CLIP, COVER, SCREW)	
0 PLC ±-		WEIGHT	SIZE	CAGE CODE
1 PLC ±0.25			A2	-
2 PLC ±0.13			DRAWING NO	RESTRICTED TO
3 PLC ±0.10			C-2288226	-
4 PLC ±-			SCALE	SHEET
ANGLES ±-			1:1	3 OF 7
FINISH			REV	9
-			CUSTOMER DRAWING	

THIS DRAWING IS UNPUBLISHED. RELEASED FOR PUBLICATION 20
 © COPYRIGHT 20 BY - ALL RIGHTS RESERVED.

REVISIONS					
P	LTR	DESCRIPTION	DATE	DWN	APVD
-	-	SEE SHEET 1	-	-	-

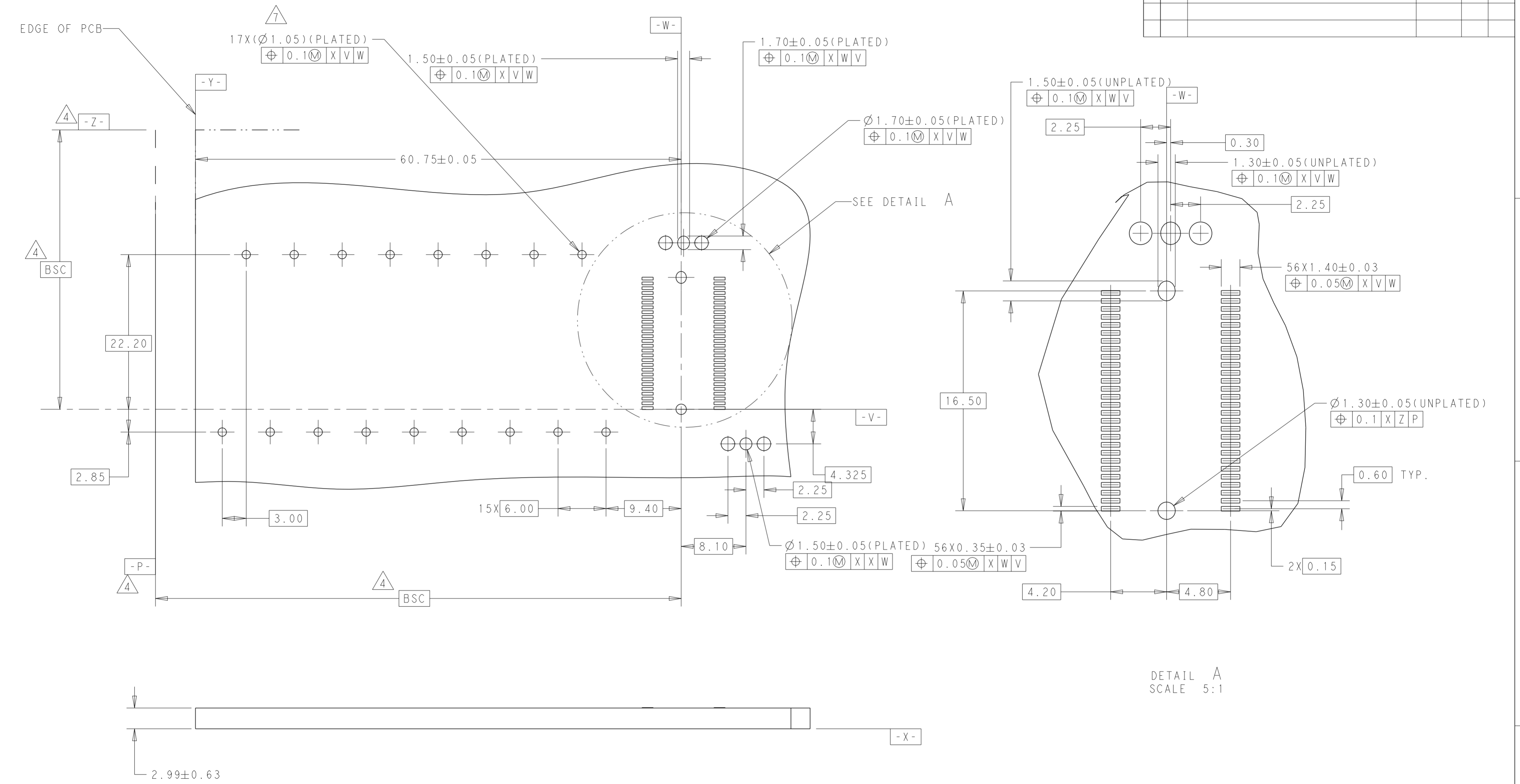


OBSOLETE

THIS DRAWING IS A CONTROLLED DOCUMENT.		DWN ANDY.XIE 12JUN2015	TE Connectivity		
DIMENSIONS: mm		CHK SEAN.HAN 12JUN2015			
TOLERANCES UNLESS OTHERWISE SPECIFIED:		APVD SEAN.HAN 12JUN2015	NAME HARD WARE KIT FOR CFP4 1X1 PRESS FIT (CAGE, HS, HS CLIP, COVER, SCREW)		
0 PLC ±	1 PLC ±0.25	PRODUCT SPEC	SIZE A2	CAGE CODE -	DRAWING NO C-2288226
2 PLC ±0.13	3 PLC ±0.10	APPLICATION SPEC	RESTRICTED TO	-	
4 PLC ±	ANGLES ±	WEIGHT -	SCALE 1:1	SHEET 4 OF 7	REV 9
MATERIAL -	FINISH -	CUSTOMER DRAWING			

THIS DRAWING IS UNPUBLISHED. RELEASED FOR PUBLICATION 20
 © COPYRIGHT 20 BY - ALL RIGHTS RESERVED.

REVISIONS				
P	LTR	DESCRIPTION	DATE	APVD
-	-	SEE SHEET 1	-	-

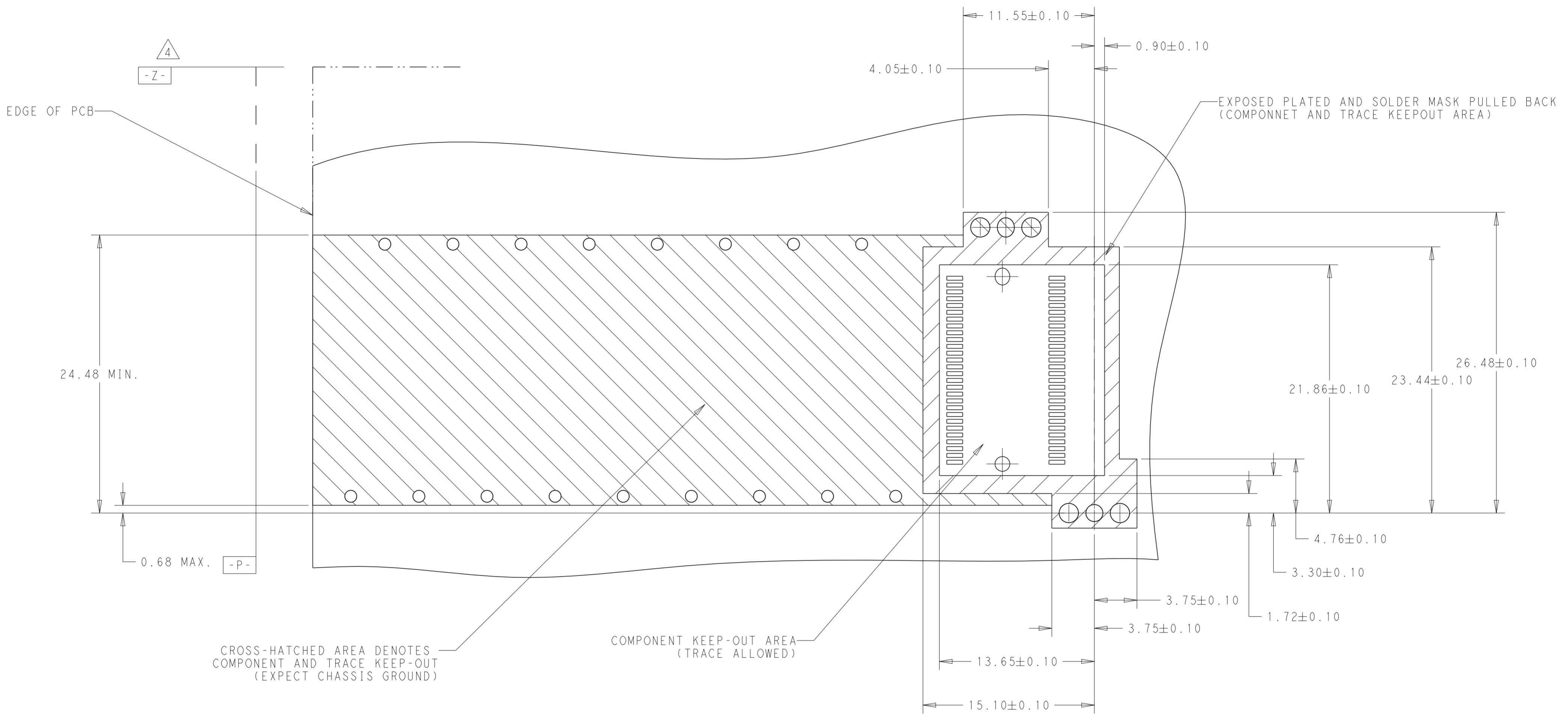


O B S O L E T E

THIS DRAWING IS A CONTROLLED DOCUMENT.		DWN ANDY.XIE 12JUN2015	STE TE Connectivity	
DIMENSIONS: mm		CHK SEAN.HAN 12JUN2015		
TOLERANCES UNLESS OTHERWISE SPECIFIED:		APVD SEAN.HAN 12JUN2015	NAME HARD WARE KIT FOR CFP4 1X1 PRESS FIT (CAGE, HS, HS CLIP, COVER, SCREW)	
0 PLC ± 1 PLC ±0.25 2 PLC ±0.13 3 PLC ±0.10 4 PLC ±		PRODUCT SPEC -	SIZE A2	CAGE CODE -
MATERIAL -		FINISH -	DRAWING NO C-2288226	RESTRICTED TO -
		APPLICATION SPEC -	SCALE 1:1	SHEET 5 OF 7
		WEIGHT -	CUSTOMER DRAWING	REV 9

THIS DRAWING IS UNPUBLISHED. RELEASED FOR PUBLICATION 20
 © COPYRIGHT 20 BY - ALL RIGHTS RESERVED.

REVISIONS				
P	LTR	DESCRIPTION	DATE	APVD
-	-	SEE SHEET 1	-	-

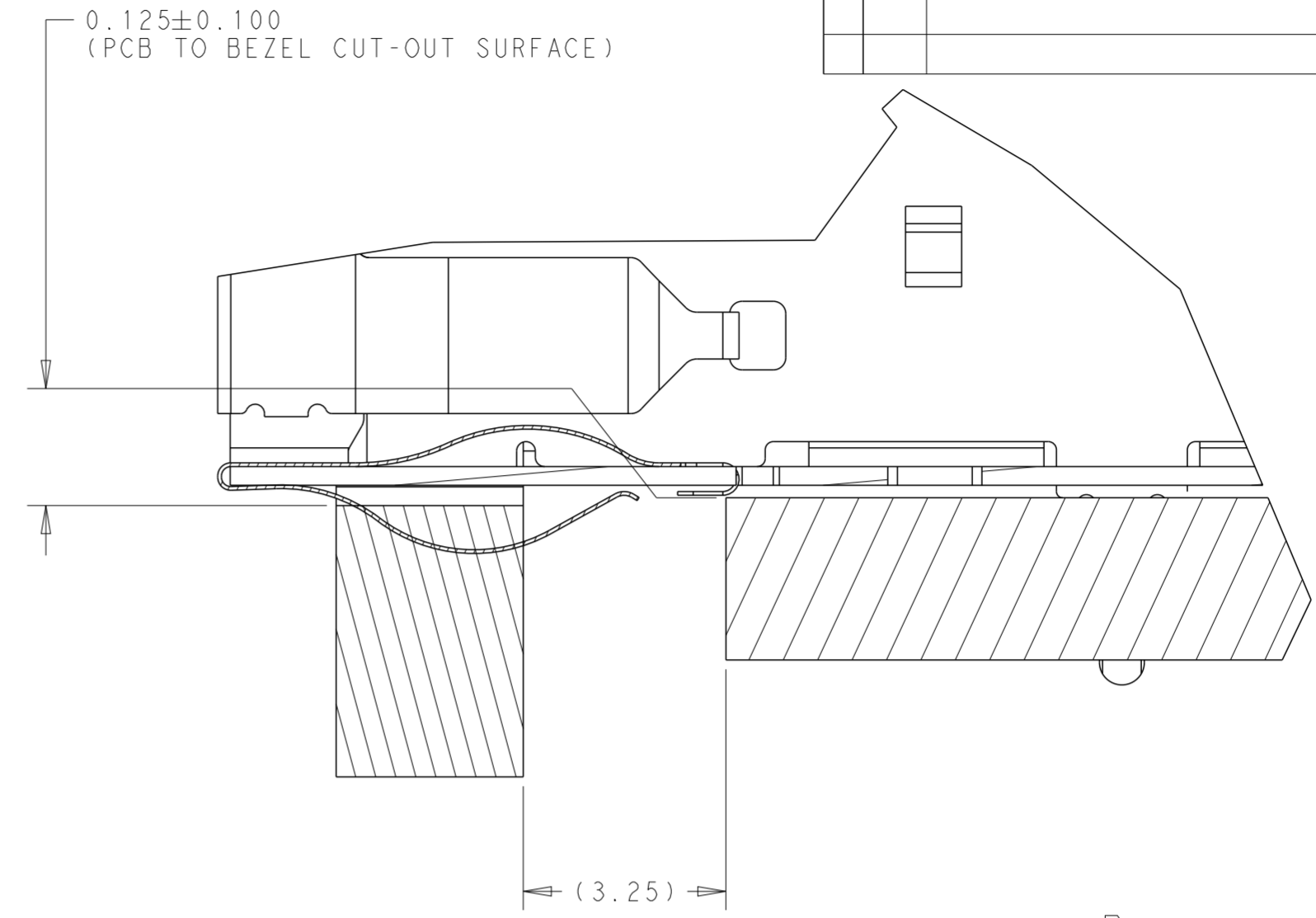
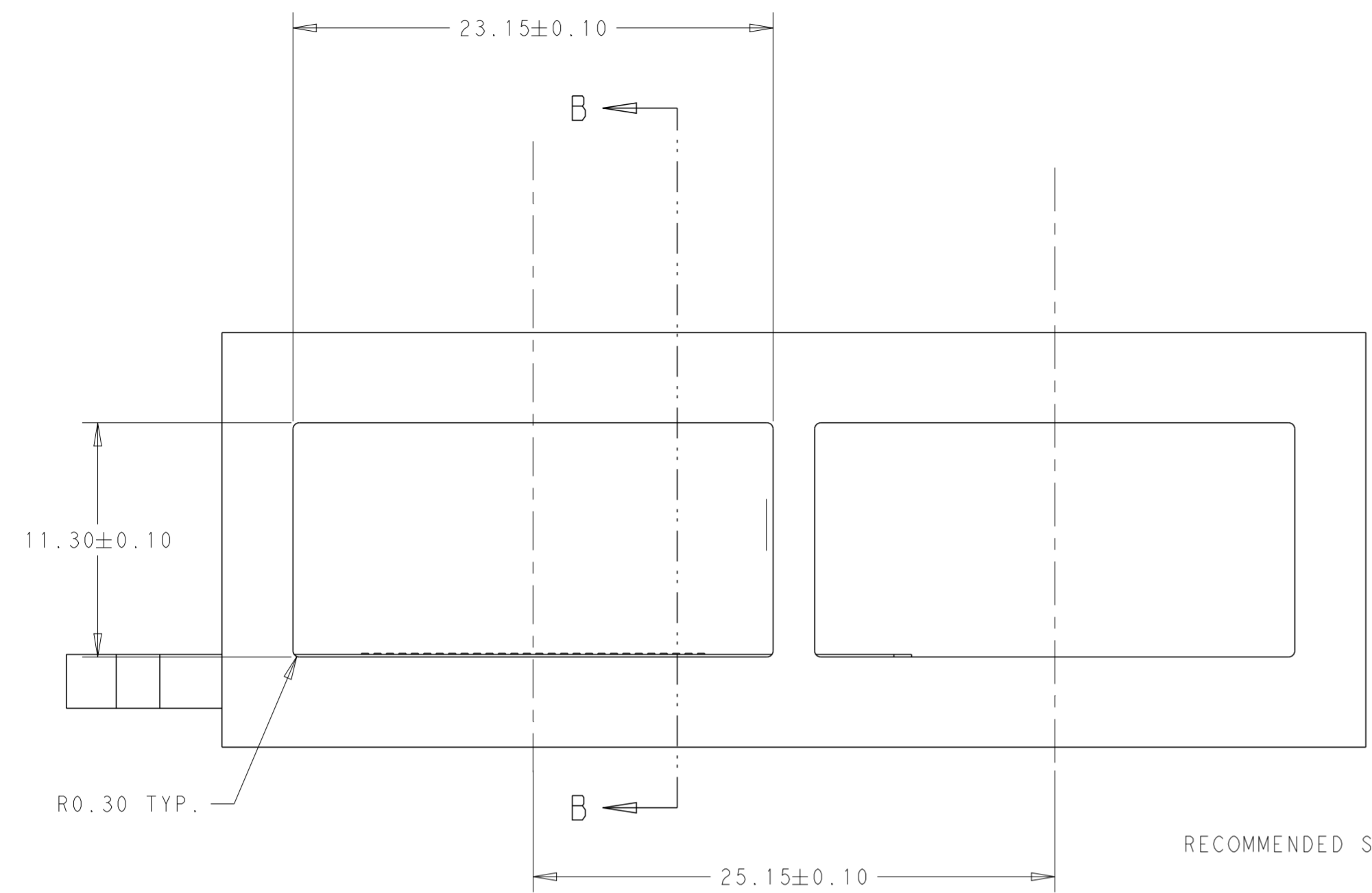


O B S O L E T E

THIS DRAWING IS A CONTROLLED DOCUMENT.		DWN ANDY.XIE 12JUN2015	STE TE Connectivity	
DIMENSIONS: mm		CHK SEAN.HAN 12JUN2015		
TOLERANCES UNLESS OTHERWISE SPECIFIED:		APVD SEAN.HAN 12JUN2015	NAME HARD WARE KIT FOR CFP4 1X1 PRESS FIT (CAGE, HS, HS CLIP, COVER, SCREW)	
0 PLC ± 1 PLC ±0.25 2 PLC ±0.13 3 PLC ±0.10 4 PLC ±		PRODUCT SPEC -	SIZE A2	CAGE CODE -
MATERIAL -		FINISH -	DRAWING NO. C-2288226	RESTRICTED TO -
		WEIGHT -	SCALE 1:1	SHEET 6 OF 7
		CUSTOMER DRAWING	REV 9	

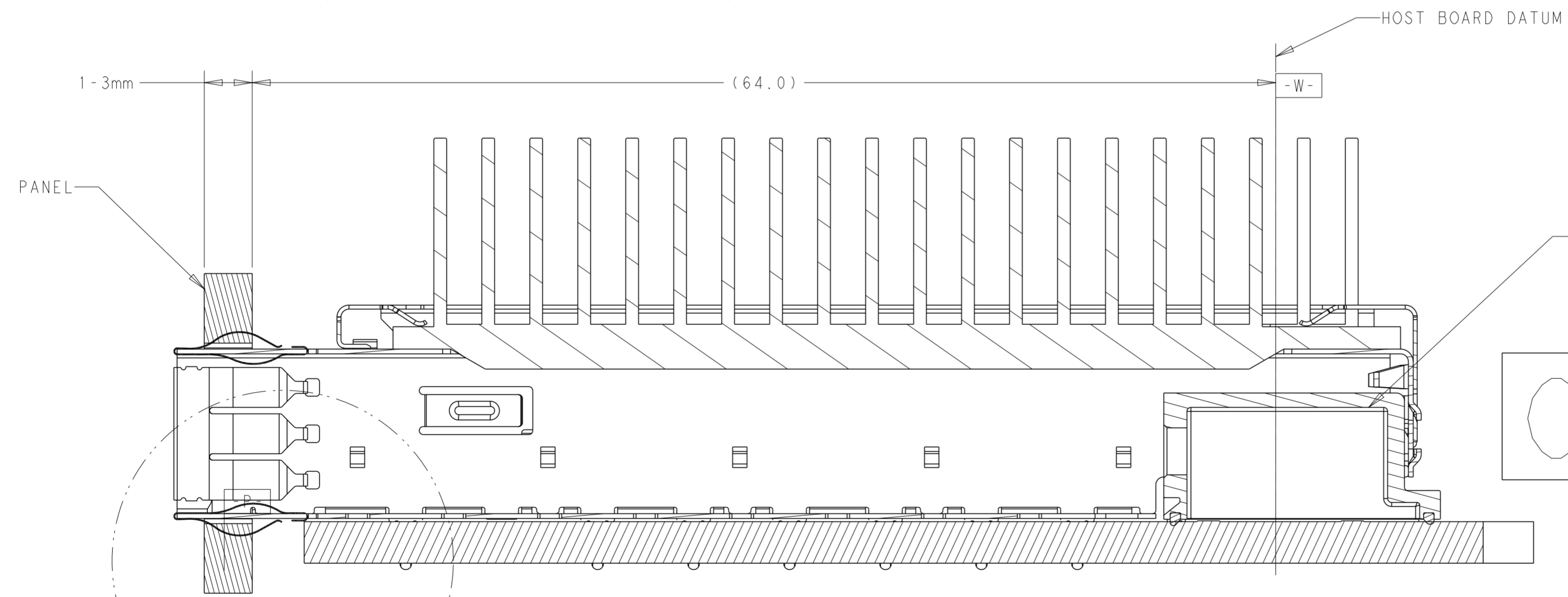
THIS DRAWING IS UNPUBLISHED. RELEASED FOR PUBLICATION 20
 © COPYRIGHT 20 BY - ALL RIGHTS RESERVED.

REVISIONS				
P	LTR	DESCRIPTION	DATE	APVD
-	-	SEE SHEET 1	-	-



RECOMMENDED SINGLE SIDE APPLICATION

DETAIL B
SCALE 10:1



OBSOLETE

SEE DETAIL B

SECTION B-B
SCALE 4:1

THIS DRAWING IS A CONTROLLED DOCUMENT.		DWN ANDY.XIE 12JUN2015	STE TE Connectivity	
DIMENSIONS: mm		CHK SEAN.HAN 12JUN2015		
TOLERANCES UNLESS OTHERWISE SPECIFIED:		APVD SEAN.HAN 12JUN2015	NAME HARD WARE KIT FOR CFP4 1X1	
0 PLC ±		PRODUCT SPEC -	PRESS FIT	
1 PLC ±0.25		APPLICATION SPEC -	(CAGE, HS, HS CLIP, COVER, SCREW)	
2 PLC ±0.13		WEIGHT -	SIZE A2	RESTRICTED TO -
3 PLC ±0.10		CUSTOMER DRAWING	CAGE CODE -	DRAWING NO. C-2288226
4 PLC ±		SCALE 1:1	SHEET 7 OF 7	REV 9
ANGLES ±				
FINISH -				