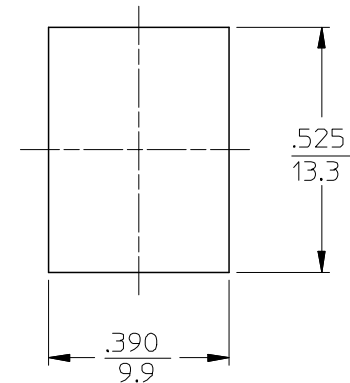
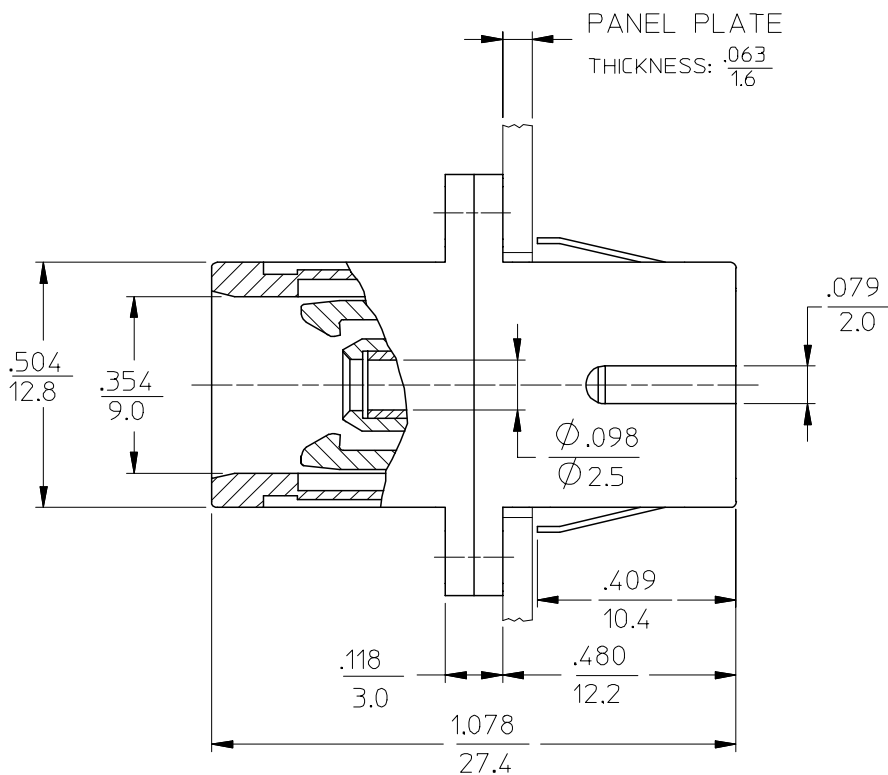
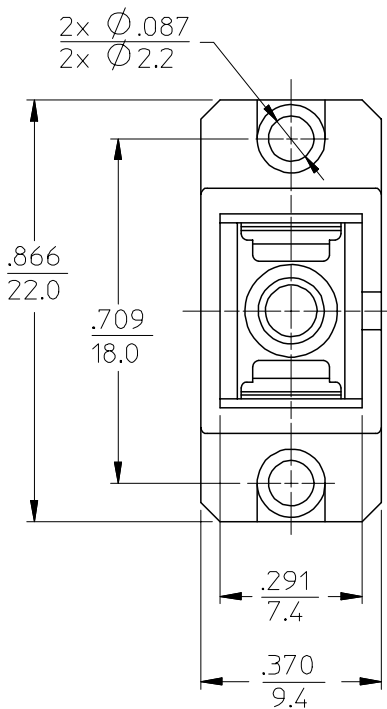


10 9 8 7 6 5 4 3 2 106160

ADAPTER P/N	SPRING LEVER COLOR	MATERIAL OF SLEEVE	SHELL COLOR
106160-0000	BLUE	PHOSPHOR BRONZE	BLUE
106161-0000		Zr,	
106160-0100*		LOW COST	
106160-1000	BLACK	PHOSPHOR BRONZE	RED
106161-1000		Zr	
106160-2000		PHOSPHOR BRONZE	BLACK
106161-2000	Zr		
106160-3000	BLUE	PHOSPHOR BRONZE	GREEN
106160-3100*		Zr,	
106161-3000		LOW COST	
106161-3100*			
106160-5000	BLACK	PHOSPHOR BRONZE	BEIGE
106161-5000		Zr	



RECOMMENDED MOUNTING HOLE

NOTES:

- DUST CAPS ARE NOT SHOWN BUT INCLUDED.
- *2. P/Ns 106160-3100, 106161-0100 AND 106161-3100 ARE BULK PACKED IN QUANTITIES OF 100 pcs.
- ALL MATERIALS USED IN ADAPTER MEET UL94 V-0.

ENTER DESCRIPTION EC NO: MF2007-0737 DRWN:KPEVNER CHKD: APPR:IGUMIN 2007/05/30 2007/05/30 2007/05/30	QUALITY SYMBOLS	GENERAL TOLERANCES (UNLESS SPECIFIED)	DIMENSION STYLE	SCALE	DESIGN UNITS	THIRD ANGLE PROJECTION
	▽=0	4 PLACES ± ---	IN/MM	4:1	INCH	
	▽=0	3 PLACES ± ---				
		2 PLACES ± ---				
	1 PLACE ± ---	ANGULAR ±1/2°				
		DRAFT WHERE APPLICABLE MUST REMAIN WITHIN DIMENSIONS				
			DRAWN BY: RPACIFICI	DATE: 2005/12/22	TITLE: SC TYPE ADAPTER	
			CHECKED BY:	DATE:	MOLEX INCORPORATED	
			APPROVED BY:	DATE:	MATERIAL NO. SEE TABLE	
					DOCUMENT NO. SD-10616X-X000	
					SHEET NO. 1 OF 01	
					THIS DRAWING CONTAINS INFORMATION THAT IS PROPRIETARY TO MOLEX INCORPORATED AND SHOULD NOT BE USED WITHOUT WRITTEN PERMISSION	

9 8 7 6 5 4 3 2 1