



# 40x40x10mm

- Airflow: 5.08~8.71CFM
- Static Pressure: 1.69~5.08 mm-H<sub>2</sub>O
- Blade / Housing: Plastic Material UL 94V-0 P.B.T.
- Lead Wire: UL1007 #26 AWG
- Weight: 13.6 g

Model No.	Bearing	Rated Voltage VDC	Operating Voltage Range VDC	Speed RPM	Max. Airflow CFM	Max. Static Pressure mm-H <sub>2</sub> O	Current mA	Power Consumption W	Life at 40°C L10 Hour	P-Q Curve	Noise Level dB(A)
NYW04010005LL	L	05	4~5.5	5000	5.08	1.69	70	0.35	50000	4	17.5
NYW04010005LM	L		4~5.5	6000	6.09	2.64	120	0.60	50000	3	21.5
NYW04010005LH	L		4~5.5	7500	7.69	3.64	180	0.90	55000	2	25.0
NYW04010012BL	2B	12	8~13.2	5000	5.08	1.69	25	0.30	80000	4	17.5
NYW04010012BM	2B		8~13.2	6000	6.09	2.64	40	0.48	80000	3	21.5
NYW04010012BH	2B		7~13.2	7500	7.69	3.64	60	0.72	75000	2	25.0
NYW04010012BS	2B		7~13.2	8500	8.71	5.09	80	0.96	65000	1	28.0
NYW040100012LL	L		7~13.2	5000	5.08	1.69	30	0.42	50000	4	17.5
NYW040100012LM	L		7~13.2	6000	6.09	2.64	50	0.60	50000	3	21.5
NYW040100012LH	L		7~13.2	7500	7.69	3.64	75	0.90	50000	2	25.0

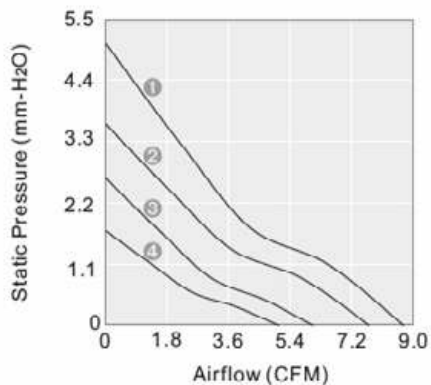
2B: 2-ball bearing L: sintetico bearing S: sleeve bearing

Voltage Available  
05 12 24 48

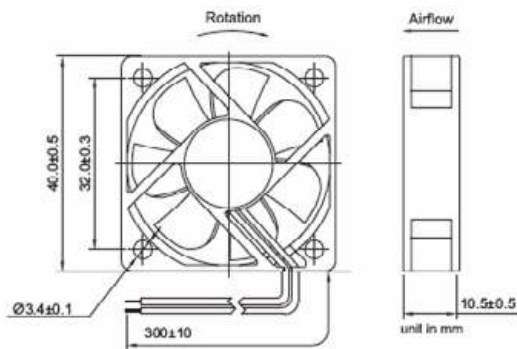
Bearing System Available  
2B L S

Function Available  
1 6 5 4 3 2 7 8 9 10 11 14 12 13

PERFORMANCE P-Q CURVE



OUTLINE DIMENSIONS



Please refer to Model Numbering System for bearing, function and speed level indication. Specifications are subject to changes without notice. Please refer to the formally issued product specification via contacting Y.S. TECH sales department. Visit Y.S. TECH web site at <http://www.ystechusa.com/> for updated information. Customized Specifications are designed accordingly.