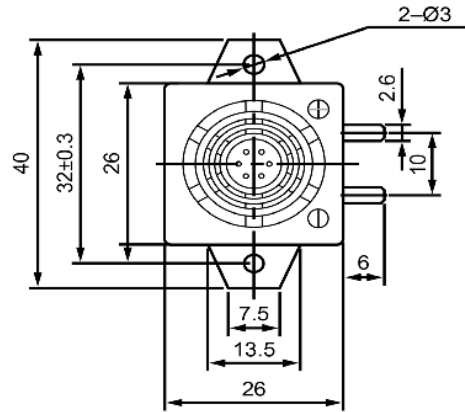
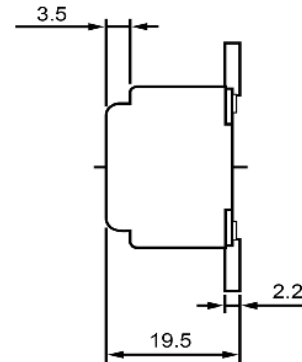




TOP VIEW



SIDE VIEW



| Specifications | | | Notes | Revision History | | | | | | | |
|--|--------------------|-------|--|------------------|---------------------------|-------------------------------------|------------|-------------------|------------|-----|------------|
| Description | Value | Unit | | Version | Description | | Date | Approved | | | |
| Technology | Electro-Mechanical | | 1) All dimensions are in mm unless otherwise noted 2) All parts meet RoHS | 1 | Released from Engineering | | 10/21/2013 | J.S | | | |
| Resonant Frequency | 400 | (Hz) | | | | | | | | | |
| Rated Voltage | 6 | (V) | | | | | | | | | |
| SPL @ 10cm | 95 | (dBA) | | | | | | | | | |
| Tone | Single | | | | | | | | | | |
| Mount Type | Flange Mount | | | | | | | | | | |
| Voltage Range | 4 ~ 8 | (V) | | | | | | | | | |
| Max Rated Current | 65 | (mA) | | | | | | | | | |
| Housing Material | ABS | | | | | | | | | | |
| Operating Temperature | -20 ~ +60 | °C | | | | | | | | | |
| Storage Temperature | -30 ~ +70 | °C | | | | | | | | | |
| Weight | 17 | (g) | | | | | | | | | |
|  DB UNLIMITED | | |  DB UNLIMITED | | | Electro-Mechanical Indicator | | IE260406-2 | | | |
| | | | | | | | | | | | Drawn by |
| | | | | | | A.B. | 10/21/2013 | C.E. | 10/21/2013 | J.S | 10/21/2013 |

Additional considerations can be found at www.dbunlimitedco.com/technical-articles.