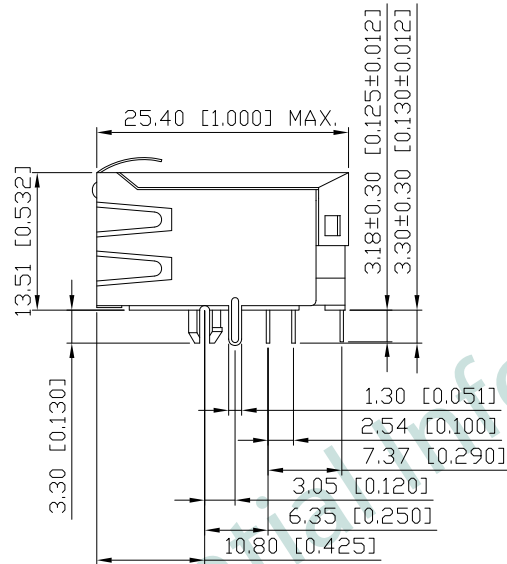
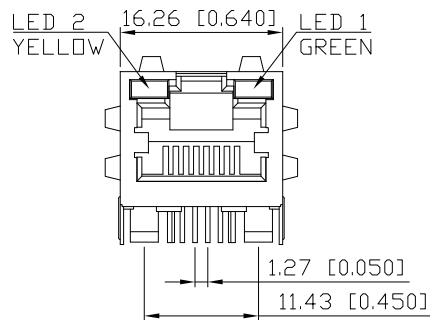
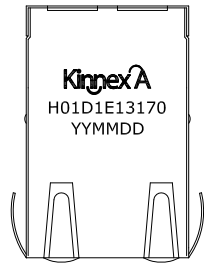
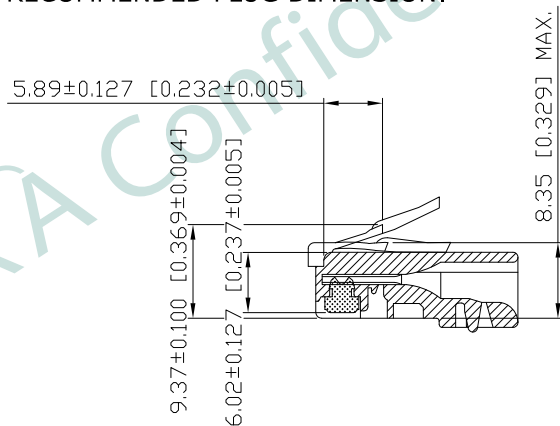


1. MECHANICAL DIMENSIONS :

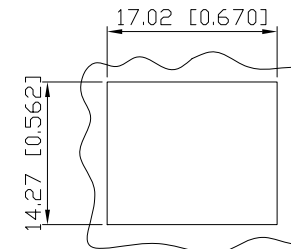


RECOMMENDED PLUG DIMENSION:



REV.	DATE	DESCRIPTION
02	Sep. 27, '17	1. UPDATE THE NOTES & PROFILE OF WAVE SOLDER 2. ADD THE SCHEMATIC SPEC
01	Aug. 11, '16	1st RELEASE

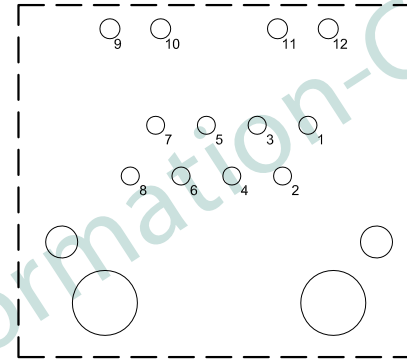
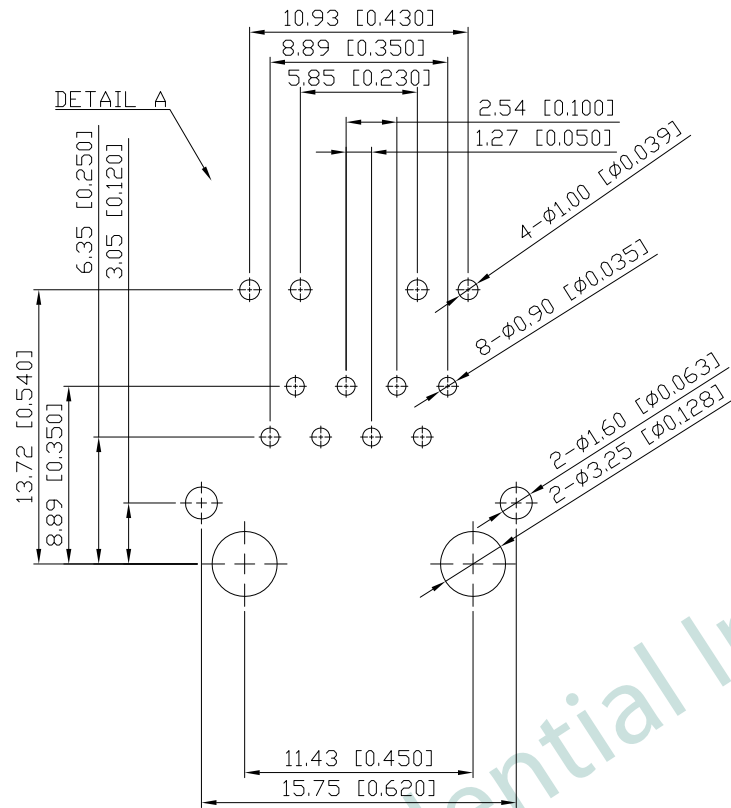
- NOTES:
- MATERIAL:  
HOUSING: HIGH THERMOPLASTIC, UL94V-0, BLACK  
CONTACTS: T=0.35mm PHOS-BRONZE, 15u" GOLD PLATING ON CONTACT AREA, NICKEL UNDERPLATING OVERALL  
SHIELD: T=0.20mm COPPER ALLOY, NICKEL PLATING
  - OPERATING TEMPERATURE: -40°C~+85°C
  - INSERTION FORCE: 4 POUNDS MAX.  
EXTRACTION FORCE: 4 POUNDS MAX.
  - DURABILITY: 750 MATING CYCLED MIN.
  - CAVITY CONFORMS TO FCC RULES AND REGULATIONS PART 68, SUBPART F.
  - UNSPECIFIED TOLERANCE: .XX ±0.25[0.010]  
.X ±0.30[0.012]



RECOMMENDED PANEL CUTOUT DIMENSION

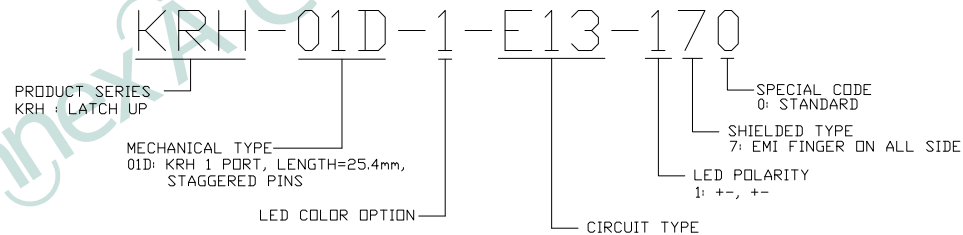
PART NO		KRH-01D-1-E13-170		
TITLE	RJ45 8P8C, W/ 10/100 TRANSFORMER, W/LED, SHIELDED			
REV : 02				
UNIT	DRAWN	CHKD	DATE	SHEET
mm[inch]	CINDY	DANIEL	Sep. 27, '17	1 of 4

2. PCB LAYOUT :



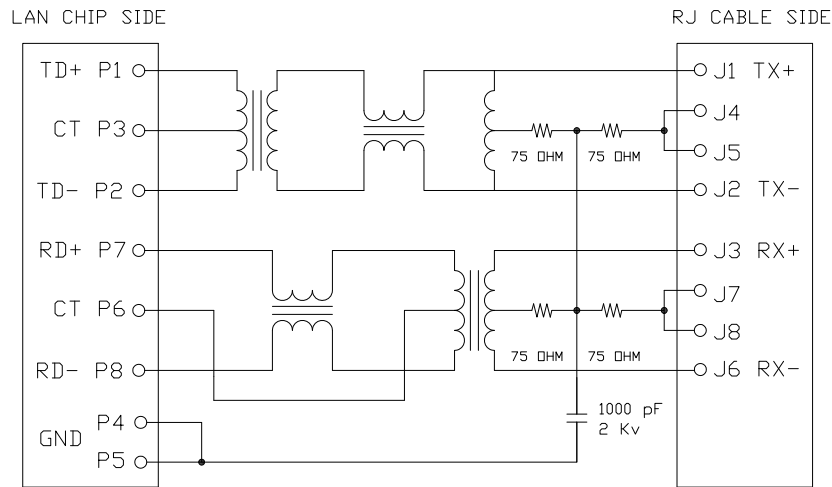
P#	DEFINITION
P1	TD+
P2	TD-
P3	CT
P4	GND
P5	GND
P6	CT
P7	RD+
P8	RD-
P9	LEFT YE+
P10	LEFT YE-
P11	RIGHT GR+
P12	RIGHT GR-

SUGGESTED PCB LAYOUT  
(TOP VIEW) SCALE 2:1  
DIMENSIONAL TOLERANCE: .XX ±0.08[0.003]



PART NO		KRH-01D-1-E13-170		
TITLE	RJ45 8P8C, W/ 10/100 TRANSFORMER, W/LED, SHIELDED			
REV : 02				
UNIT	DRAWN	CHKD	DATE	SHEET
mm[inch]	CINDY	DANIEL	Sep. 27, '17	2 of 4

3. SCHEMATIC :



COLOR	VF(V) @20mA		IV(mcd) @20mA	IF(mA)	PEAK WAVE LENGTH λP(nm) @20mA
	TYP	MAX	TYP	TYP	TYP
YELLOW	2.2	2.6	15	20	588
GREEN	2.2	2.6	10	20	570

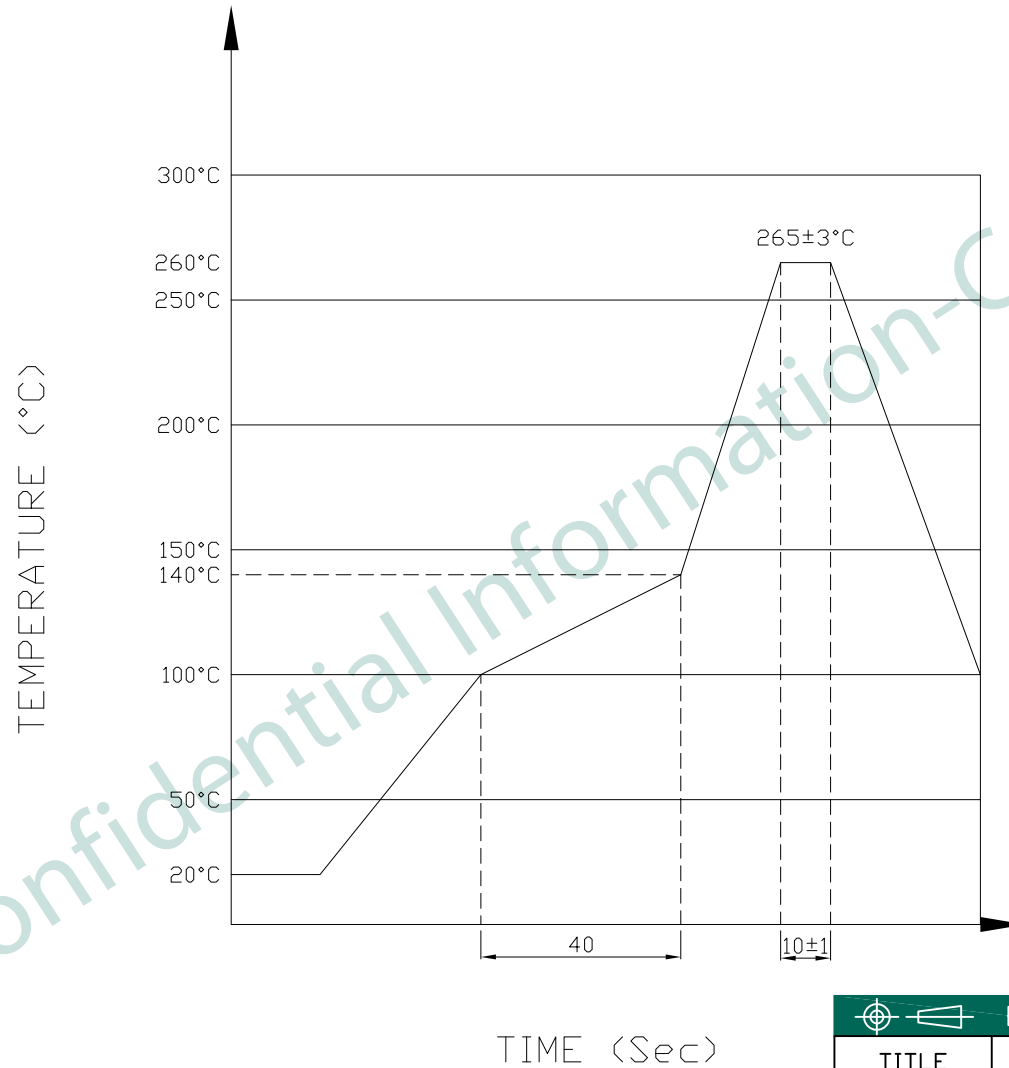
4. ELECTRICAL CHARACTERISTICS :

TEST NOTES:(25±5°C)


- TR:  
INPUT TO OUTPUT=1:1±3%
- LX:(100KHz,100mV,8mA, DC Bias)  
350uH MINIMUM
- DCR:  
EVERY RJ PAIR=1.2 Ω MAXIMUM
- HIPOT:  
INPUT(RJ SIDE) TO OUTPUT(LAN SIDE):  
1500 VAC/60SEC
- INSERTION LOSS:  
-1.0dB MAXIMUM AT 0.3MHz TO 100MHz
- RETURN LOSS:  
-20dB MINIMUM AT 1MHz TO 30MHz  
-15dB MINIMUM AT 30MHz TO 60MHz  
-10dB MINIMUM AT 60MHz TO 80MHz
- CROSS TALK:  
-30dB MINIMUM AT 1MHz TO 100MHz
- COMMON TO COMMON MODE REJECTION:  
-30dB MINIMUM AT 1MHz TO 100MHz

PART NO		KRH-01D-1-E13-170		
TITLE	RJ45 8P8C, W/ 10/100 TRANSFORMER, W/LED, SHIELDED			
REV : 02				
UNIT	DRAWN	CHKD	DATE	SHEET
mm[inch]	CINDY	DANIEL	Sep. 27, '17	3 of 4

5. PROFILE OF WAVE SOLDER : 



The measuring point for the specified temperature shall be on the soldered part of the lead

 PART NO		KRH-01D-1-E13-170		
TITLE	RJ45 8P8C, W/ 10/100 TRANSFORMER, W/LED, SHIELDED			
REV : 02				
UNIT	DRAWN	CHKD	DATE	SHEET
mm[inch]	CINDY	DANIEL	Sep. 27, '17	4 of 4