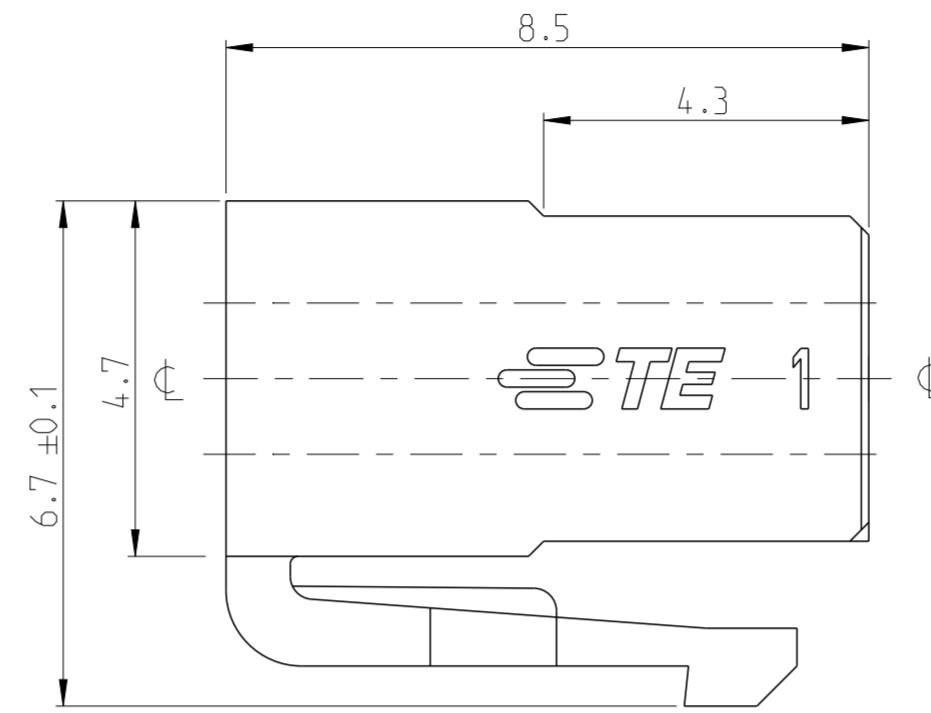
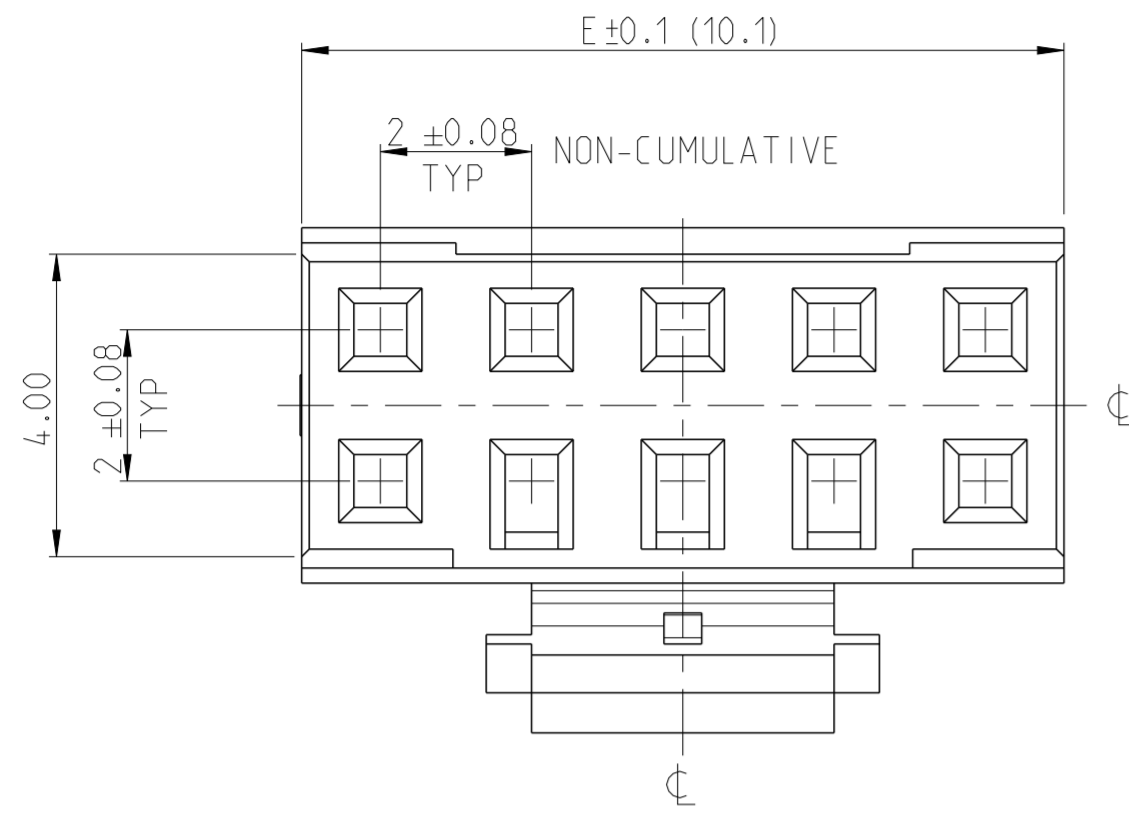
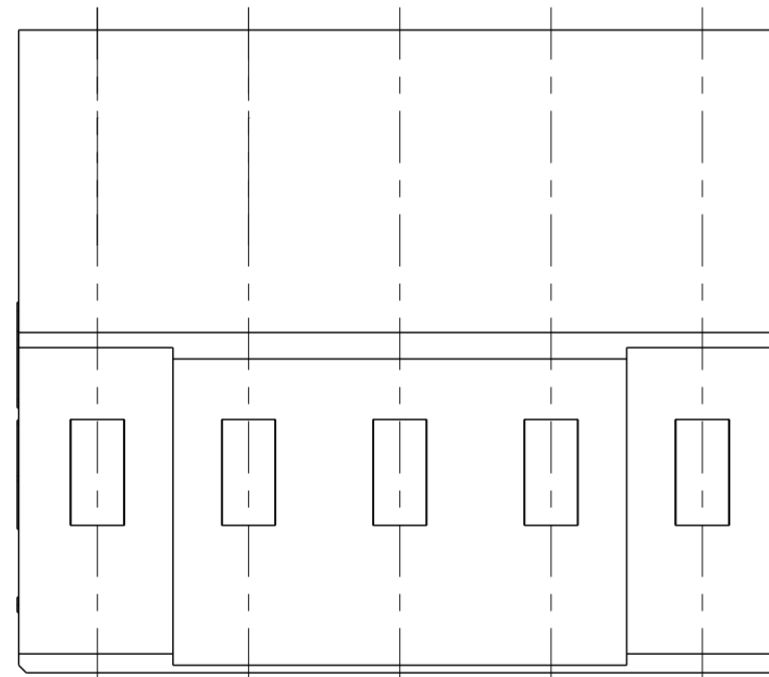


P	LTR	DESCRIPTION	DATE	DWN	APVD
	A	RELEASE TO PRODUCTION	22FEB2022	AY	PS

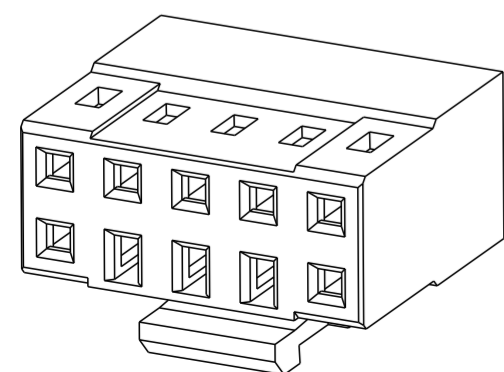


NOTES:

- MATERIAL:
LCP BLACK, UL94 V0
- N = NUMBER OF POSITION PER HOUSING.
- HOUSING TO BE USED WITH CRIMP CONTACTS
2316113 (AWG 28-24/0.08-0.22 mm²) AND
2316114 (AWG 30-28/0.05-0.08 mm²)
- PACKAGING : BOX



DUAL ROW HOUSING
CENTER LATCH VERSION.
1- -0 AS SHOWN



SCALE 5:1

CENTERLINE AND POSITIONS UNDER THE LATCH		HSG W / ODD POS PER ROW	50.1	50	2MM-RCP-D25-BX
			44.1	44	2MM-RCP-D22-BX
			40.1	40	2MM-RCP-D20-BX
			32.1	32	2MM-RCP-D16-BX
			30.1	30	2MM-RCP-D15-BX
			28.1	28	2MM-RCP-D14-BX
			26.1	26	2MM-RCP-D13-BX
			24.1	24	2MM-RCP-D12-BX
			22.1	22	2MM-RCP-D11-BX
			20.1	20	2MM-RCP-D10-BX
			18.1	18	2MM-RCP-D09-BX
			16.1	16	2MM-RCP-D08-BX
			14.1	14	2MM-RCP-D07-BX
		12.1	12	2MM-RCP-D06-BX	
		10.1	10	2MM-RCP-D05-BX	
		8.1	8	2MM-RCP-D04-BX	
		6.1	6	2MM-RCP-D03-BX	
		DIM "E"	N	SMART PN	

THIS DRAWING IS A CONTROLLED DOCUMENT.

DIMENSIONS: mm	TOLERANCES UNLESS OTHERWISE SPECIFIED: 0 PLC ± 1 PLC ±0.15 2 PLC ±0.10 3 PLC ± 4 PLC ± ANGLES ±2°	DWN 06SEP2016 RAKSHITH R NAYAK CHK 06SEP2016 PRASHANTH S APVD 06SEP2016 PRASHANTH S	NAME AMPMODU 2mm, WTB, RECEPTACLE, HOUSING, CRIMP, DUAL ROW, CENTER LATCH
MATERIAL SEE NOTE 1	FINISH -	PRODUCT SPEC 108-64040-1 APPLICATION SPEC 114-32173 WEIGHT -	SIZE A2 CAGE CODE 00779 DRAWING NO C-2316110 RESTRICTED TO -
CUSTOMER DRAWING		SCALE 8:1	SHEET 1 OF 2 REV A

TE Connectivity

P	LTR	DESCRIPTION	DATE	DWN	APVD
-	-	SEE SHEET 1	-	-	-

SMART PART NUMBER
2MM - RCP - D__ - BX

PRODUCT SERIES

2MM AMPMODU 2mm SERIES

GENDER / TYPE

RCP RECEPTACLE HOUSING FOR CRIMP WITH POSITIVE LATCH

NUMBER OF ROWS

D DUAL ROW

PACKAGING


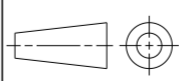
BX BOX

NUMBER OF PINS PER ROW

XX 03 THROUGH 16
(ENTER TWO DIGITS)

SMART PN EXAMPLES:

- 2MM-RCP-D03-BX:
AMPMODU 2mm, RECEPTACLE HOUSING FOR CRIMP WITH POSITIVE LATCH, DUAL ROW , 03 POSITION PER ROW , BOX PACKAGING
- 2MM-RCP-D16-BX:
AMPMODU 2mm, RECEPTACLE HOUSING FOR CRIMP WITH POSITIVE LATCH, DUAL ROW , 16 POSITION PER ROW , BOX PACKAGING

THIS DRAWING IS A CONTROLLED DOCUMENT.		DWN 06SEP2016 RAKSHITH R NAYAK	 TE Connectivity	
DIMENSIONS: mm		CHK 06SEP2016 PRASHANTH S		
		TOLERANCES UNLESS OTHERWISE SPECIFIED:		APVD 06SEP2016 PRASHANTH S
0 PLC ± 1 PLC ±0.15 2 PLC ±0.10 3 PLC ± 4 PLC ± ANGLES ±°		PRODUCT SPEC 108-64040-1	NAME AMPMODU 2mm, WTB, RECEPTACLE, HOUSING, CRIMP, DUAL ROW, CENTER LATCH	
MATERIAL SEE NOTE 1		APPLICATION SPEC 114-32173	SIZE A2	CAGE CODE 00779
FINISH -		WEIGHT -	DRAWING NO C-2316110	RESTRICTED TO -
CUSTOMER DRAWING			SCALE 1:1	SHEET 2 OF 2
			REV A	