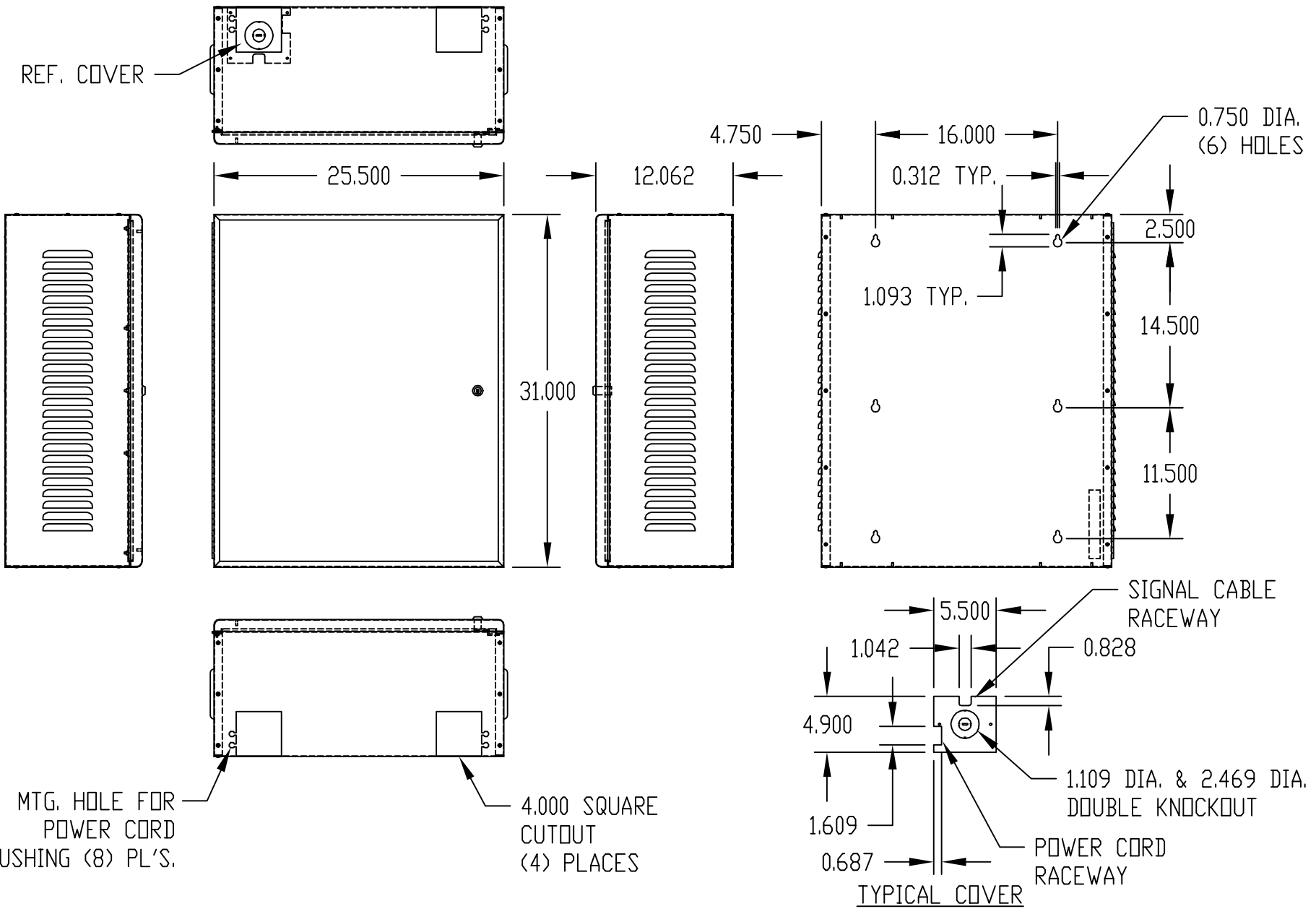


PART NAME	MEGA NETWORK CABINET	PART No.	MNC-8085	REV. DATE	10-6-05
-----------	----------------------	----------	----------	-----------	---------



MATERIAL:

BODY ASSEMBLY, DOOR & COVERS _____ 18 GA. STEEL
 SWING DOWN & MOUNTING BRACKETS _____ 14 GA. STEEL
 CONTINUOUS HINGE _____ 20 GA. STAINLESS STEEL (0.100 DIA. PIN)
 KNOBS _____ PLASTIC
 GROUNDING BAR _____ 0.250 THK. COPPER

FINISH:

BODY ASSEMBLY, DOOR, SWING DOWN BRACKETS & COVERS _____ UNICREAM
 CONTINUOUS HINGE & GROUNDING BAR _____ NATURAL
 KNOBS _____ BLACK

DOOR CAN BE HINGED EITHER LEFT OR RIGHT (SUPPLIED HINGED LEFT)

SWING-DOWN BRACKETS HAVE #10-32 TAPPED HOLES ON E.I.A. UNIVERSAL HOLE SPACING
 FIXED MOUNTING BRACKETS HAVE 0.281 DIA. HOLES ON E.I.A. UNIVERSAL HOLE SPACING
 SWING-DOWN BRACKETS SUPPLIED ASSEMBLED QTY. (4)
 COVERS SUPPLIED UNASSEMBLED QTY. (2)
 POWER CORD STRAIN RELIEF BUSHING SUPPLIED UNASSEMBLED QTY. (12) EACH
 #10-32 SCREWS & CLIP NUTS SUPPLIED FOR ACCESSORY MOUNTING

