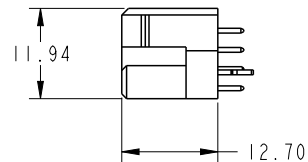
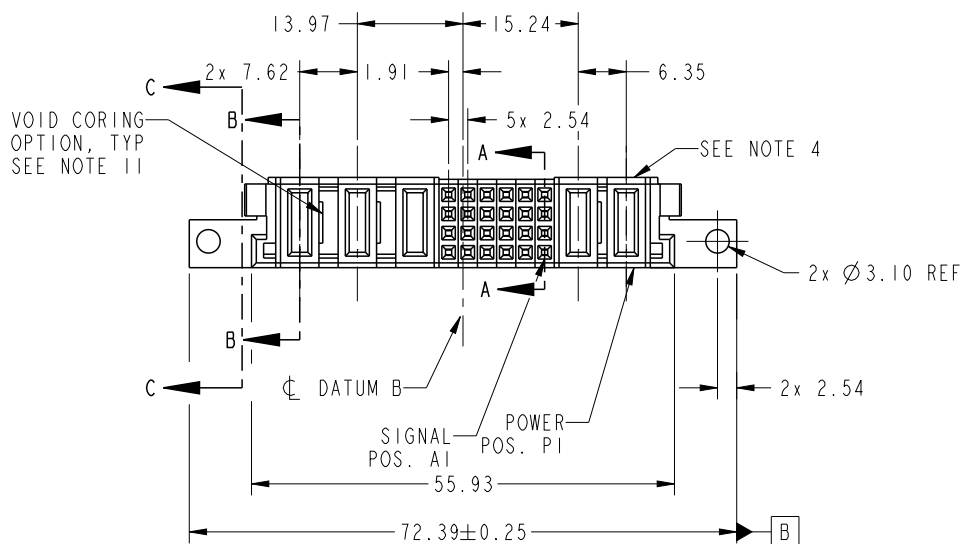
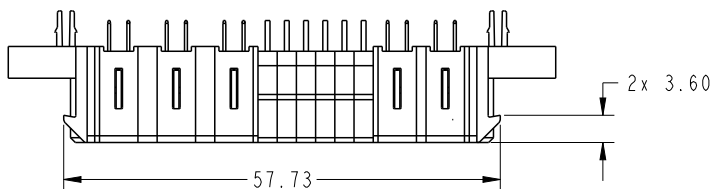


PRODUCT NO.	ROWS	POWER			SIGNAL						POWER		E1	
		E2	P5	P4	P3	6	5	4	3	2	1	P2		P1
51940-532-- NOTE: 3	D C B A													

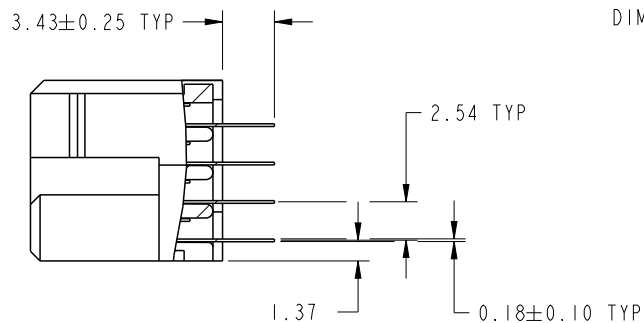


CODE	DIM "M" MATING LENGTH	CONTACT TYPE
E	[N/A]	SIGNAL
PA	[1.07]	POWER
HA	[N/A]	HOLD-DOWN

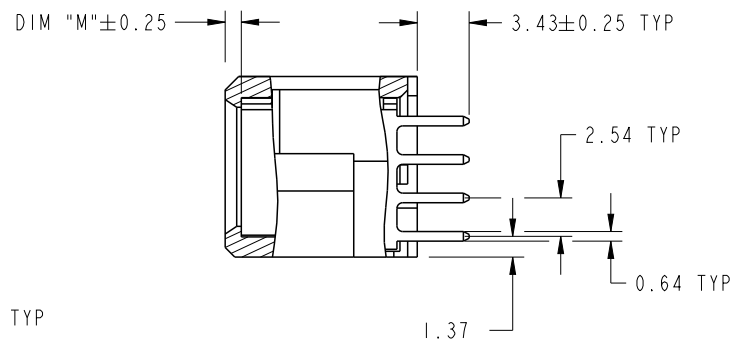
spec ref	*	dr	Ruan MT	2014/04/22	projection	MM	size	A4	scale	1:1
tolerance std	TOLERANCES UNLESS OTHERWISE SPECIFIED	eng	De-Ming Lu	2014/05/26		←→	ecn no	ELX-DG-17788-1		
SEE NOTE		chr	-	-				product family	PwrBlade	rel level
surface ✓	linear	0.X	±0.5		title	2P+24S+3ACP	dwg no	51940-532	rev	B
		0.XX	±0.25							
0.XXX	±0.1									
angular	0°	±2°	www.fci.com	cat. no.	*	Product - Customer Drw	sheet 1 of 4			

PRODUCT NUMBER

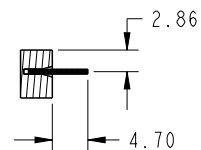
51940-532__
NOTE: 3



SECTION A-A
SCALE 2:1



SECTION B-B
SCALE 2:1

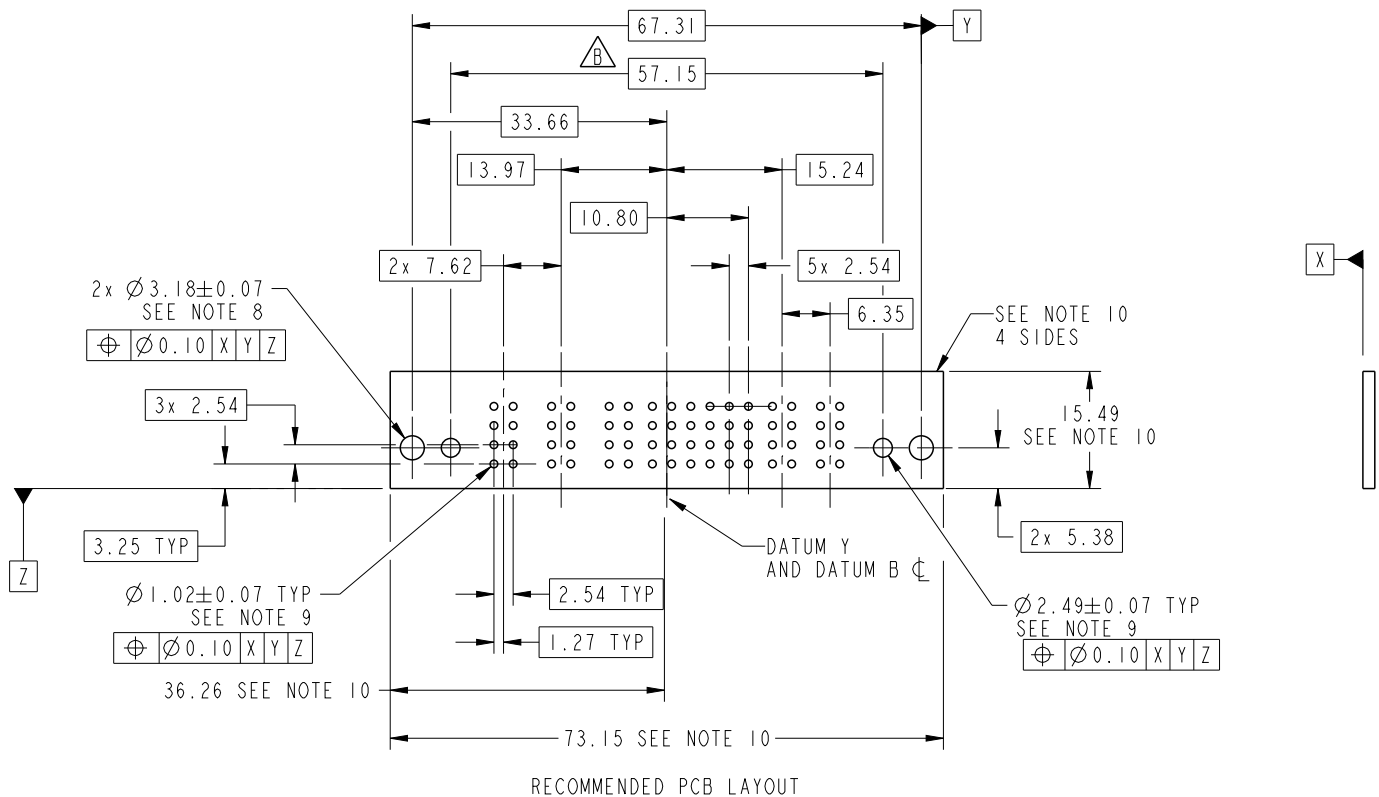


SECTION C-C

dr	Ruan MT	2014/04/22	projection 	MM 	size	A4	scale	1:1	
eng	De-Ming Lu	2014/05/26			ecn no	ELX-DG-17788-1			
chr	-	-			rel level	Released			
appr	Pei-Ming Zheng	2014/05/27	product family	PwrBlade					
		title	2P+24S+3ACP VERTICAL SOLDER RECEPT		dwg no	51940-532		rev	B
www.fci.com		cat. no.	*	Product - Customer Drw			sheet 2 of 4		

PRODUCT NUMBER

51940-532__
NOTE: 3



RECOMMENDED PCB LAYOUT

dr	Ruan MT	2014/04/22	projection 	MM 	size	A4	scale	1:1
eng	De-Ming Lu	2014/05/26			ecn no	ELX-DG-17788-1		
chr	-	-			rel level	Released		
appr	Pei-Ming Zheng	2014/05/27	product family	PwrBlade		rev	B	
		title	2P+24S+3ACP VERTICAL SOLDER RECEPT		dwg no	51940-532		sheet 3 of 4
www.fci.com		cat. no.	*	Product - Customer Drw		sheet 3 of 4		

PRODUCT NUMBER

51940-532__
NOTE: 3

NOTES:

1. DIMENSIONS AND TOLERANCES ARE IN ACCORDANCE WITH ASME Y14.5M, 1994 UNLESS OTHERWISE SPECIFIED.

CONNECTOR NOTES:

- 2 HOUSING MATERIAL: UL 94 V-0 GLASS FILLED HIGH-TEMP THERMOPLASTIC
POWER CONTACT MATERIAL: COPPER ALLOY
SIGNAL PIN MATERIAL: COPPER ALLOY
 - 3. SEE ITEM 5 & 6 IN PRINT 10064183 FOR PLATING SPEC OF 51940-532 AND 51940-532LF RESPECTIVELY.
 - 4 MANUFACTURER'S NAME, DATE CODE AND OPTIONAL P/N TO APPEAR ON THIS SURFACE. THE MARK CAN BE OMITTED IF THERE IS NOT ENOUGH SPACE ON THIS SURFACE.
 - 5. PRODUCT SPECIFICATION GS-12-149.
APPLICATION SPECIFICATION BUS-20-067.
 - 6. PACKAGED IN TRAYS.
- PCB NOTES:
- 7. ALL HOLE DIAMETERS ARE FINISHED HOLE SIZE.
 - 8 MOUNTING HOLES, WHERE APPLICABLE, ARE UNPLATED.
 - 9 $\varnothing 1.151 \pm 0.025$ DRILLED HOLES PLATED WITH
0.008 MIN SnPb OR Sn OVER 0.03
TO 0.08 Cu PLATING TO ACHIEVE
 $\varnothing 1.02 \pm 0.07$ HOLE.
 - 10 CONNECTOR KEEP-OUT ZONE.
 - 11. THE VOID CORING IN BETWEEN POWER MODULES, SIGNAL MODULES AND END MODULES ARE OPTIONAL AND THE SHAPE MAY BE DIFFERENT FOR OPTIMIZE THE MOLDING PROCESS. THE VOID CORING WILL NOT EFFECT TO PRODUCT FUNCTION.
 - 12. A \triangle B SYMBOL WILL BE NEXT TO ANY DIMENSION, VIEW, OR NOTE WHICH HAS BEEN MODIFIED WITH THE CURRENT DRAWING REVISION.

dr	Ruan MT	2014/04/22	projection 	MM 	size	A4	scale	1:1			
eng	De-Ming Lu	2014/05/26			ecn no	ELX-DG-17788-1					
chr	-	-			product family	PwrBlade	rel level	Released			
appr	Pei-Ming Zheng	2014/05/27	FCj		title	2P+24S+3ACP		dwg no	51940-532	rev	B
www.fci.com		cat. no.	*	Product - Customer Drw			sheet 4 of 4				