

GENERAL CHARACTERISTICS AND ROHS INFORMATIONS:
 SEE PRODUCT SPECIFICATION 65-12-446

NORMINATIVE REF = IEC-61076-4-104

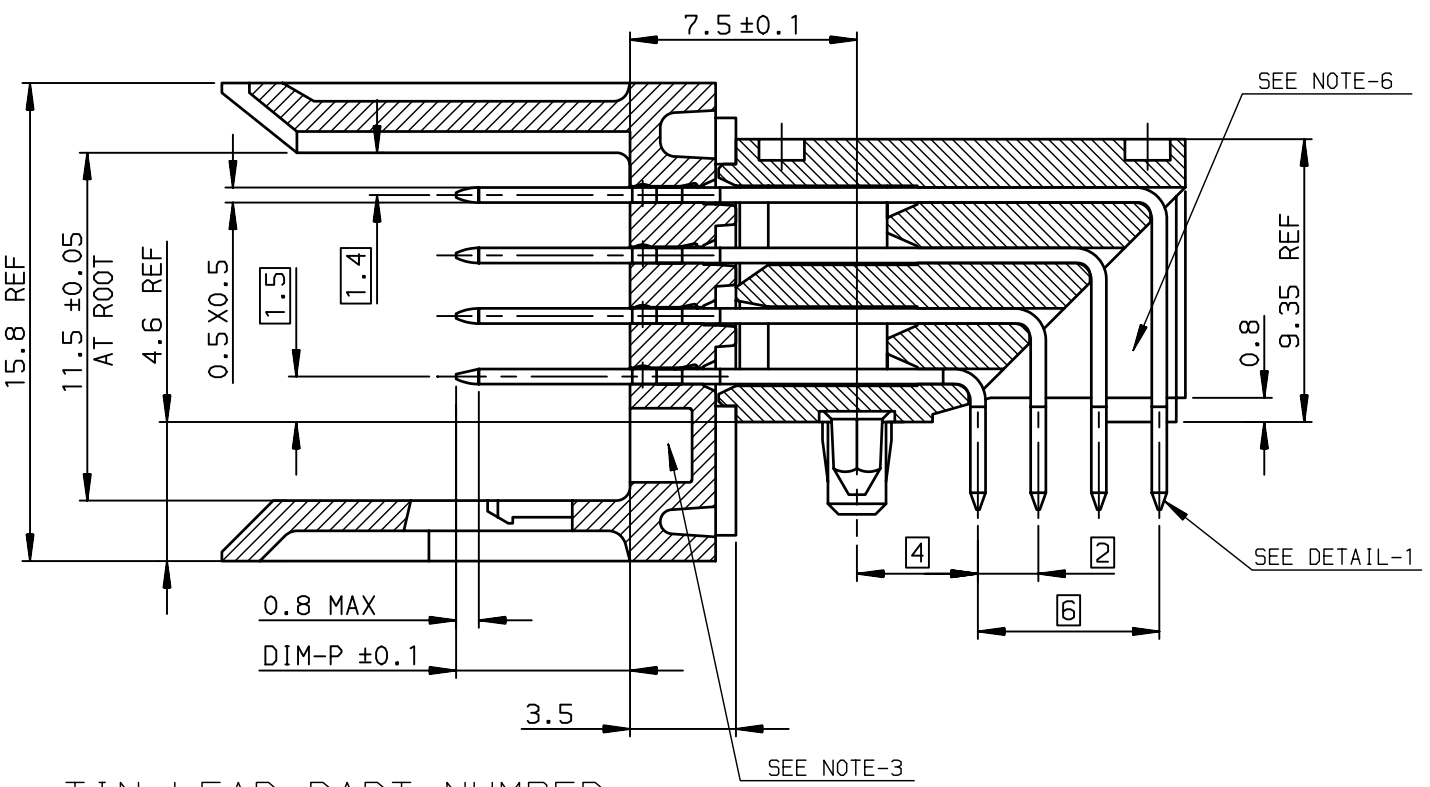
NOTE-2: ONE CENTER PEG FOR HOLD DOWN FORCE

NOTE-3: CODING RECESS FOR 8MM EXTENDED KEYS

NOTE-4: PRODUCT MARKING = PRODUCT NUMBER + BATCH CODE + FCI
 FOR 2 MODULE SIZE, END OF PART NUMBER ONLY

NOTE-6: CENTRAL WALL WITH END REAR SUPPORT

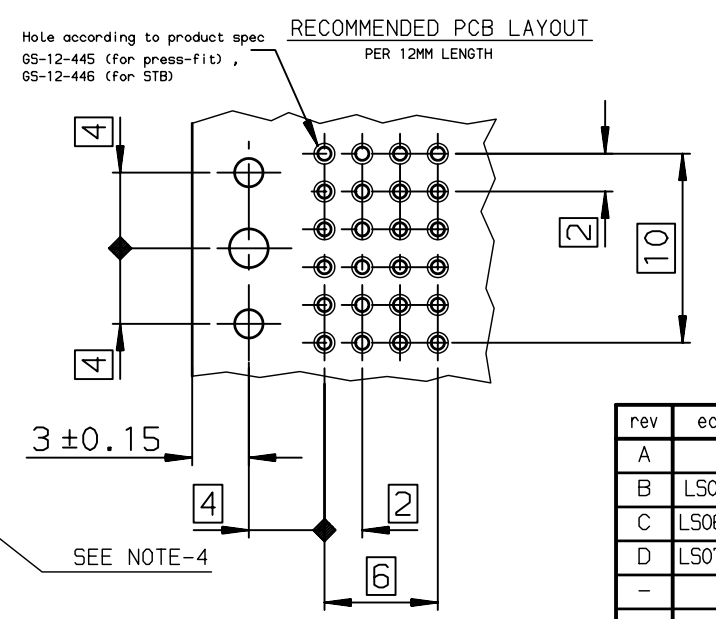
NOTE-7: PACKAGING IN TRAY + COVER
 IF SUFFIX "P" IS ADDED IN P/N PACKAGING IS IN TRAYS
 BUT CONNECTOR MARKING IS WITHOUT "P"
 EXAMPLE: HM1XXXXXXXXXH6P, MARKED HM1XXXXXXXXXH6



- SPECIFIC DATAS:**
- VISUAL INSPECTION: 100%
- marking failure
 - housing material failure
 - spoilt housing
 - stained housing
 - broken contacts (twisted or loosen)

TIN LEAD PART NUMBER
P/N : HM1L42AAP400H6P

LEAD FREE PART NUMBER
P/N : HM1L42AAP400H6PLF



rev	ecn no	dr	date
A	-	-	2004/08/31
B	LS05-001	MLE	2005/03/15
C	LS06-0095	LGO	2006/06/30
D	LS07-0184	MLE	2007/07/27

www.fciconnect.com		surface ISO 1302 ✓	tolerance std ISO 406 ISO 1101	projection mm
TOLERANCES UNLESS OTHERWISE SPECIFIED				size A3
Dr	LENOIR	24/01/37	ANGULAR	Scale 2.5
Eng	LENOIR	2004/08/31	LINEAR	ECN LS07-0184
Chr	LEGARE	2004/08/31	0.xx' ±2'	Spec ref -
Appr	LEGARE	2004/08/31	Product family METRAL	
FCI METRAL RA HEADER WB CONVERGED			dwg no C-8626-11258	Rev. D
4x12 CTS - STB - PUSH PEG			CUSTOMER	sheet 1 of 1