

SACC-DSI-M12MSL-4CON-M16XL/0,5 - Device connector, rear mounting



1163033

<https://www.phoenixcontact.com/us/products/1163033>

Please be informed that the data shown in this PDF document is generated from our online catalog. Please find the complete data in the user documentation. Our general terms of use for downloads are valid.



Device connector, rear mounting, Power, 4-position, Flush-type male connector, straight, M12, coding: L , Rear mounting, M16 x 1.5, Individual wires, cable length: 0.5 m, 2.50 mm², PEX litz wire, Alternative product in accordance with RoHS II without Exemption 6c (Pb <0.1%) item no.: 1238563

Your advantages

- For compact devices: transmit high power in a confined space
- Easy-to-install, optimized XL housing contour with wrench size 19
- Mechanical tightening limitation for long-term-stable gasket
- Preassembled with litz wires for immediate use
- Customer-specific assemblies and litz wire lengths available
- Sealed on the litz wire side for optimum leak-tightness
- For high transmission safety: shield connection to the housing with optional EMC nut

Commercial data

| | |
|--------------------------------------|---------------|
| Item number | 1163033 |
| Packing unit | 1 pc |
| Minimum order quantity | 25 pc |
| Sales key | AB27 |
| Product key | ABQCGG |
| GTIN | 4063151174019 |
| Weight per piece (including packing) | 22.22 g |
| Weight per piece (excluding packing) | 22.22 g |
| Customs tariff number | 85444290 |
| Country of origin | DE |

SACC-DSI-M12MSL-4CON-M16XL/0,5 - Device connector, rear mounting



1163033

<https://www.phoenixcontact.com/us/products/1163033>

Technical data

Notes

| | |
|---------|--|
| General | The electrical and mechanical data specified assume that the connector pair is correctly locked and mounted. If the connector is unlocked and if there is a danger of contamination, the connector must be sealed using a protective cap > IP54. Influences arising from litz wires, cables or PCB assembly must also be taken into consideration. |
| General | Lock nut is included in the scope of delivery |

Mounting

| | |
|-----------------------|---|
| Mounting type | Rear mounting M16 x 1.5 Tightening limitation |
| Assembly instructions | Tightening limitation |
| Connection method | Individual wires |

Product properties

| | |
|----------------------|-----------------------------------|
| Product type | Circular connectors (device side) |
| Sensor type | Power |
| Number of positions | 4 |
| No. of cable outlets | 1 |
| Shielded | no |
| Coding | L |
| Thread type | M12 |

Insulation characteristics

| | |
|----------------------|-----|
| Overvoltage category | III |
| Degree of pollution | 3 |

Material specifications

| | |
|--|------------------------------|
| Flammability rating according to UL 94 | V0 |
| Seal material | FKM |
| Contact material | CuZn |
| Contact surface material | Au |
| Contact carrier material | PA |
| Material for screw connection | Zinc die-cast, nickel-plated |
| Conductor material | Tin-plated Cu litz wires |

Electrical properties

| | |
|-----------------------|--------------|
| Rated surge voltage | 1.5 kV |
| | 1.5 kV AC/DC |
| Nominal voltage U_N | 63 V |
| Nominal current I_N | 16 A |
| Test voltage | 1.5 kV |

SACC-DSI-M12MSL-4CON-M16XL/0,5 - Device connector, rear mounting



1163033

<https://www.phoenixcontact.com/us/products/1163033>

Connection data

Conductor connection

| | |
|-------------------------|---------------------|
| Connection method | Individual wires |
| Contact connection type | Pin |
| Conductor cross section | 2.5 mm ² |

Connector

Connection 1

| | |
|-------------------|---------------------------|
| Head design | Flush-type male connector |
| Head cable outlet | straight |
| Head thread type | M12 |
| Coding | L |

Cable/line

| | |
|---------------------------------|--|
| Cable length | 0.5 m |
| Cable type | PEX litz wire |
| Signal type/category | Power |
| Single wire, color | brown 1, white 2, blue 3, black 4 |
| Conductor material | Tin-plated Cu litz wires |
| AWG signal line | 14 |
| Material wire insulation | PE-X |
| Halogen-free | according to IEC 60754-1 |
| Flame resistance | in acc. with UL FT-2 |
| Ambient temperature (operation) | -40 °C ... 85 °C (without mechanical actuation) -40 °C ... 85 °C (without mechanical actuation) -25 °C ... 105 °C (Cable, flexible installation) |

Environmental and real-life conditions

Ambient conditions

| | |
|---------------------------------|--|
| Degree of protection | IP67 IP65/IP67 |
| Ambient temperature (operation) | -25 °C ... 85 °C (Plug / socket) -40 °C ... 85 °C (without mechanical actuation) -25 °C ... 105 °C (Cable, flexible installation) -40 °C ... 105 °C (cable, fixed installation) |

Standards and regulations

| | |
|------------------|----------------------|
| Flame resistance | in acc. with UL FT-2 |
|------------------|----------------------|

M12

| | |
|----------------------|---------------|
| Standard designation | M12 connector |
|----------------------|---------------|

SACC-DSI-M12MSL-4CON-M16XL/0,5 - Device connector, rear mounting



1163033

<https://www.phoenixcontact.com/us/products/1163033>

| | |
|--------------------------|-----------------|
| Standards/specifications | IEC 61076-2-111 |
| Note | In line with |

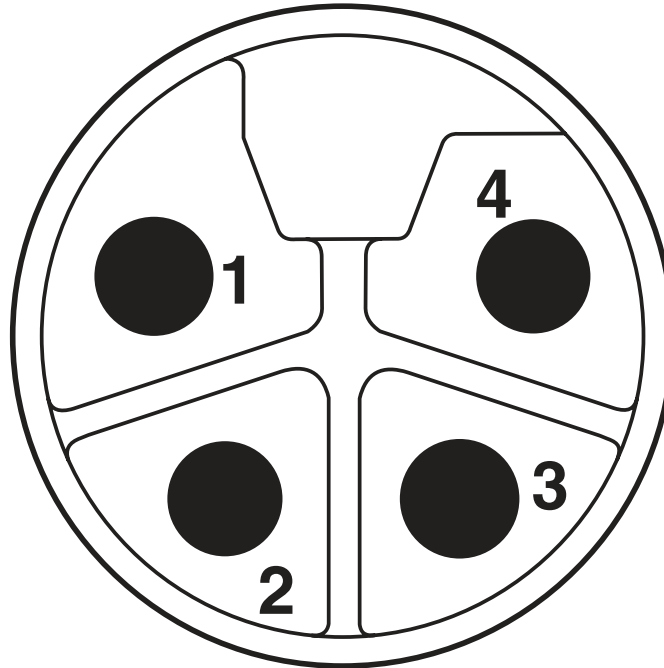
SACC-DSI-M12MSL-4CON-M16XL/0,5 - Device connector, rear mounting

1163033

<https://www.phoenixcontact.com/us/products/1163033>

Drawings

Schematic diagram



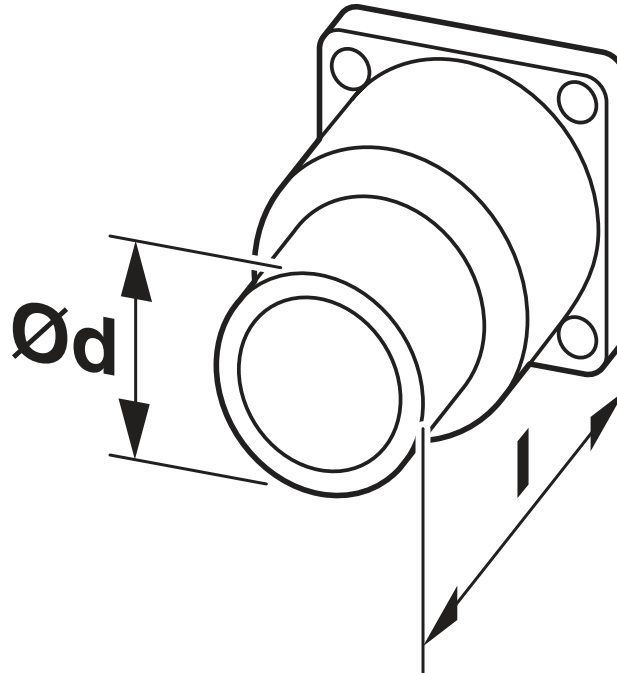
Pin assignment of M12 connector, 4-pos., L-coded, pin side view

SACC-DSI-M12MSL-4CON-M16XL/0,5 - Device connector, rear mounting

1163033

<https://www.phoenixcontact.com/us/products/1163033>

Dimensional drawing



Technical drawings can be found under Downloads

SACC-DSI-M12MSL-4CON-M16XL/0,5 - Device connector, rear mounting



1163033

<https://www.phoenixcontact.com/us/products/1163033>

Approvals

To download certificates, visit the product detail page: <https://www.phoenixcontact.com/us/products/1163033>



EAC

Approval ID: B.01687



cULus Recognized

Approval ID: E468743-20180113

| | Nominal voltage U_N | Nominal current I_N | Cross section AWG | Cross section mm^2 |
|--|-----------------------|-----------------------|-------------------|-----------------------------|
| | 63 V | 16 A | - 14 | - |

SACC-DSI-M12MSL-4CON-M16XL/0,5 - Device connector, rear mounting



1163033

<https://www.phoenixcontact.com/us/products/1163033>

Classifications

ECLASS

| | |
|-------------|----------|
| ECLASS-11.0 | 27440102 |
| ECLASS-12.0 | 27440116 |
| ECLASS-13.0 | 27440116 |

ETIM

| | |
|----------|----------|
| ETIM 8.0 | EC002635 |
|----------|----------|

UNSPSC

| | |
|-------------|----------|
| UNSPSC 21.0 | 39121400 |
|-------------|----------|

SACC-DSI-M12MSL-4CON-M16XL/0,5 - Device connector, rear mounting



1163033

<https://www.phoenixcontact.com/us/products/1163033>

Environmental product compliance

| | |
|------------|--|
| REACH SVHC | Lead 7439-92-1 |
| China RoHS | Environmentally Friendly Use Period = 50 years |
| | For information on hazardous substances, refer to the manufacturer's declaration available under "Downloads" |

SACC-DSI-M12MSL-4CON-M16XL/0,5 - Device connector, rear mounting



1163033

<https://www.phoenixcontact.com/us/products/1163033>

Accessories

PROT-M12 FS-M - Sealing cap

1430488

<https://www.phoenixcontact.com/us/products/1430488>



M12 metal sealing cap for unoccupied M12 plugs of the sensor/actuator cable, flush-type plugs and I/O devices in the field

Phoenix Contact 2023 © - all rights reserved
<https://www.phoenixcontact.com>

Phoenix Contact USA
586 Fulling Mill Road
Middletown, PA 17057, United States
(+717) 944-1300
info@phoenixcon.com