

48 x 48 Digital LED Timer 816 Part number 88857607



Relay output

- Multi-range
- Multi-voltage
- 1 relay output
- Access to programming locked
- Up or down timing mode
- Internal power supply by battery (10 years / 20 °C)

Part numbers

	Type	Functions	Connection	Relay outputs	Supply voltage	Nominal rating
88857607	Timer 816	A, B, C, D, Di, H	Plug-in 8 way	1 timed changeover	24 V ACDC / 110 V AC	8 A

Specifications

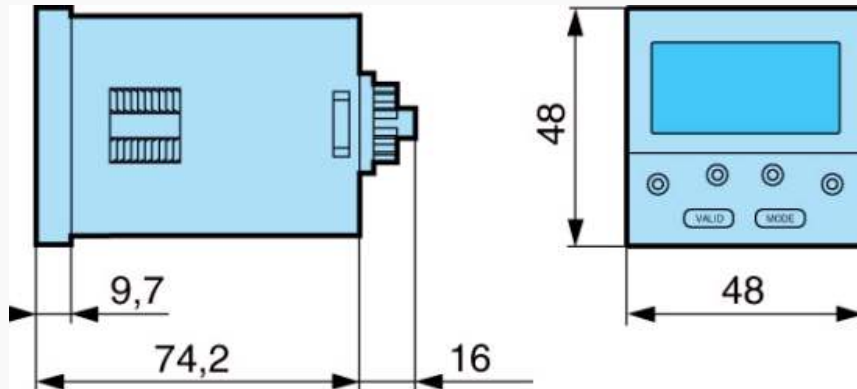
Number of digits	4
Height of digits	7 mm
Timing ranges	99 ■ 99 s 999 ■ 9 s 9999 s 99 mn 59 s 99 ■ 99 mn 999 ■ 9 mn 9999 mn 99 h 59 mn 99 ■ 99 h 999 ■ 9 h 9999 h
Repetition accuracy (with constant parameters)	± 0,03 % ± 20 ms
Display precision	± 0.03 % ± 20 ms
Min. control pulse	50 ms
Maximum reset time by de-energisation during timed delay	50 ms
Maximum reset time by de-energisation after timing	50 ms
Nominal rating	8 A AC 8 A DC
Max. breaking voltage	250 V AC 30 V DC
Maximum power rating (resistive)	2000 VA - 190 W
Maximum admissible current	15 A < 0,01 s
Minimum current	100 mA
Electrical life at I max., 250 V AC resistive (cycles)	10 ⁵
Max. permitted number of operations at 1 max 250 V AC resistive per hour	600
Mechanical life (operations)	5 x 10 ⁶
Voltage variation	+ 10 % - 15 %
Immunity from micro power cuts	< 0,03 s
Maximum power consumption	0.5 W/24 V 1.5 W/48 V 1 VA/24 V 1, 5, VA/48 V 4 VA/110 V 12 VA/230 V
Temperature limits use (°C)	-10 → +60
Temperature limits stored (°C)	-30 → +70
Degree of protection front face	IP65
Insulation according to standard IEC/EN 61812-1, IEC/EN 60255-5	■
Protection class according to CEI/EN 60529	■
Mounting Front panel, by clip	■
Mounting base-mounted on socket	■
Material	Self-extinguishing UL 94 grade V0
Weight (g)	100

Accessories

Accessories	Code
Asymmetrical adaptor A	79 694 005
8-pin solder-connected plug	25 622 301
11-pin solder-connected plug	25 622 076
8-pin solder-connected base	79 694 016

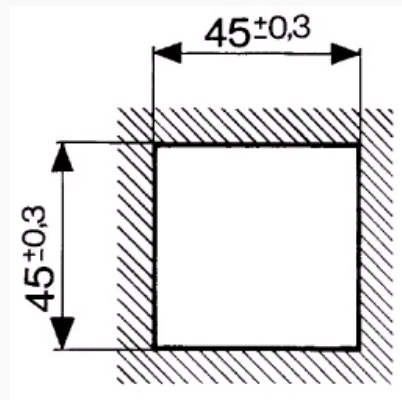
Spring clips (pack of 2)	79237739
11-pin connector base	25622080
8-pin connector socket	25 622 128
11-pin rear base	79 694 002

Dimensions (mm)

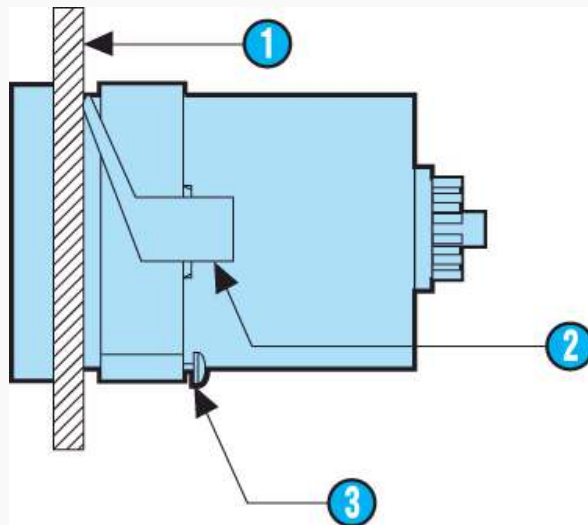


Dimensions (mm)

Panel cut-out



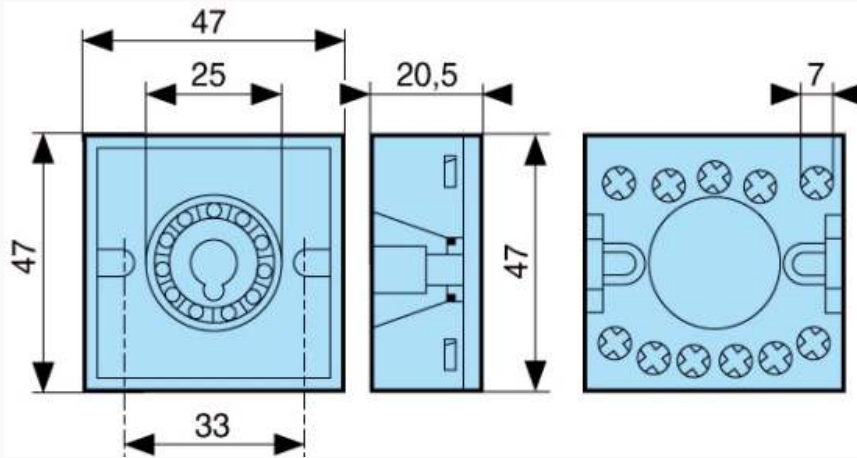
Dimensions (mm)



N°	Legend
①	Panel thickness 1 to 3,5 mm
②	Clip for panel-mounting
③	Positioning screw

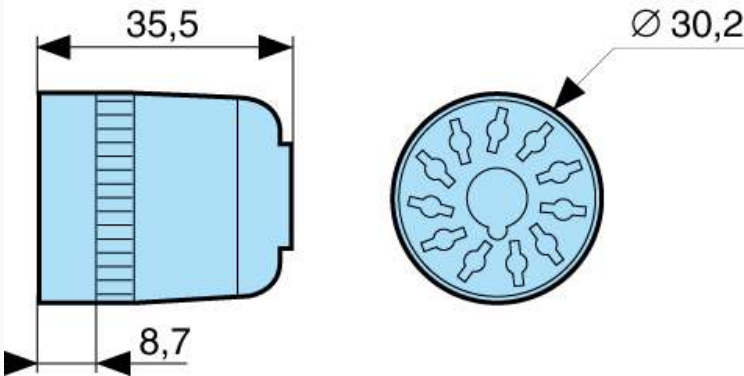
Dimensions (mm)

11-pole rear base panel-mounted
79 694 002



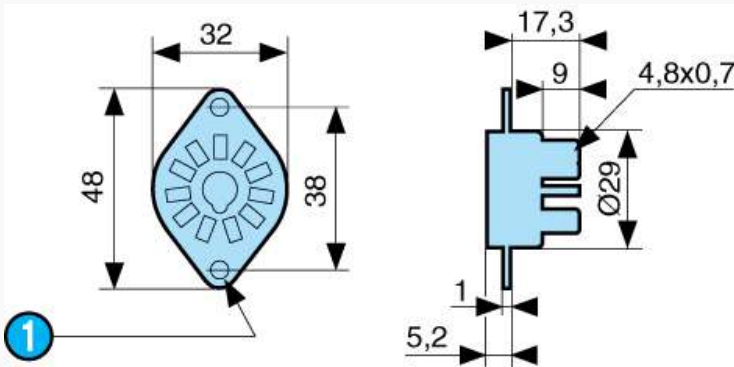
Dimensions (mm)

8-pin or 11-pin solder-connected plug
25 622 076 - 25 622 301



Dimensions (mm)

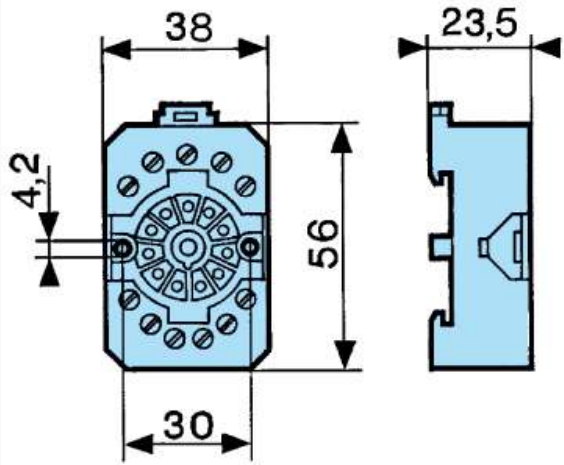
8-pin solder-connected base
79 694 016



N°	Legend
1	2 holes

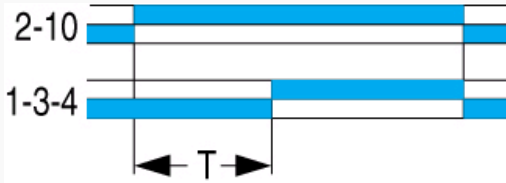
Dimensions (mm)

Connector socket
11-pin 25 622 077
8-pin 25 622 128



Curves

Function A

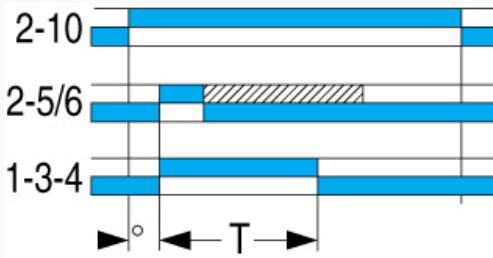


Function A

Delay on energisation
1 timed relay

Curves

Function B

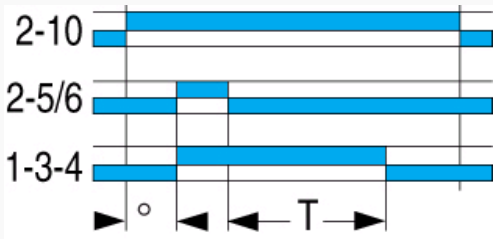


Function B

Timing on impulse (on shot)

Curves

Function C

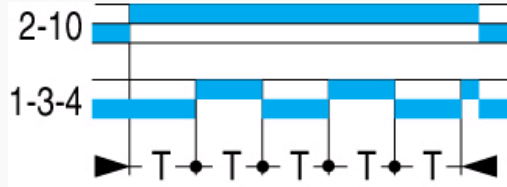


Function C

Timing after impulse (delay off)

Curves

Function D

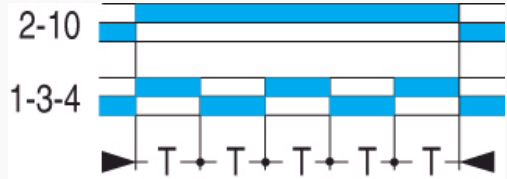


Function D

Flip-flop

Curves

Function Di

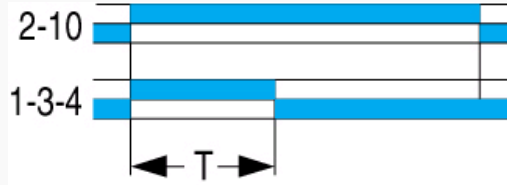


Function Di

Flip-flop

Curves

Function H

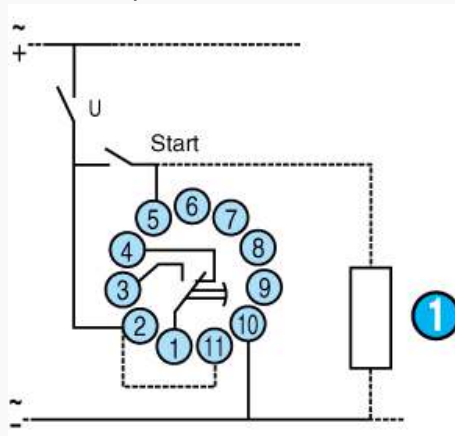


Function H

Timing or energisation

Connections

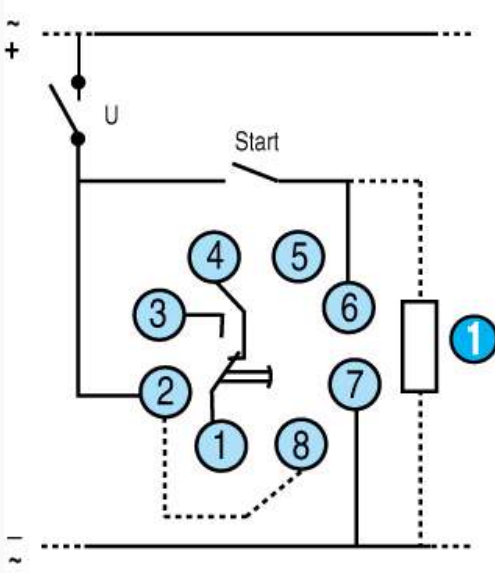
Timer 816 - 11-pin



N°	Legend
①	Other loads may be connected in parallel

Connections

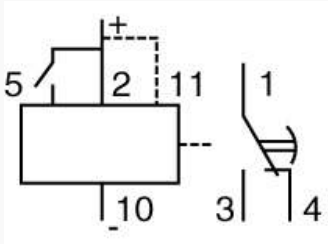
Timer 816 - 8-pin



N°	Legend
①	Other loads may be connected in parallel

Connections

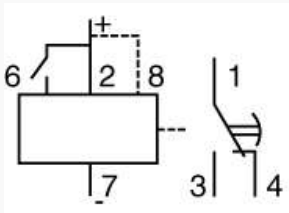
Timer 816 - 11-pin



N°	Legend
2-10	Supply
(2-11)	Bridge for 24 V supply
2-5	Control contact reset
1-3-4	Timed output contact

Connections

Timer 816 - 8-pin




N°	Legend
2-7	Supply
(2-8)	Bridge for 24 V supply
2-6	Control contact reset

1-3-4

Timed output contact

Connections

CA 88857601

 CA 88857601