



## Lite-On Technology Corporation

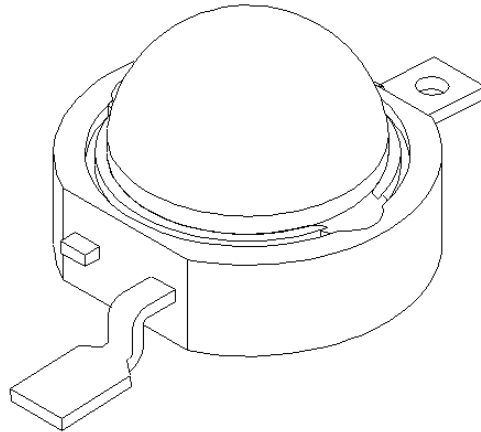
OFFICE : 90, Chien I Road, Chung Ho Taipei, Taiwan, R.O.C.

TEL : +886-2-2222-6181 ~ 8

FAX : +886-2-2221-0660, +886-2-2221-2780, +886-2-2225-1518

---

### LED HIGH POWER



## LTPL-P013MS30

### DATA SHEET (Preliminary)

## 1. Description

The LTPL (LiteOn Power LED) is a revolutionary, energy efficient and ultra compact new light source, combining the lifetime and reliability advantages of Light Emitting Diodes with the brightness of conventional lighting. It gives you total design freedom and unmatched brightness, creating a new opportunities for solid state lighting to displace conventional lighting technologies.

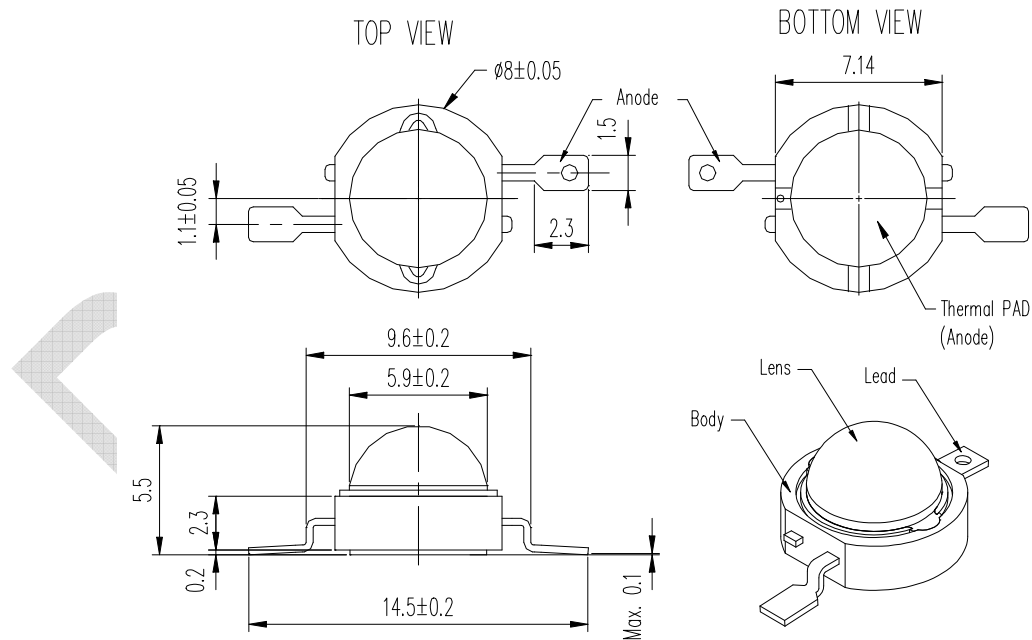
### Features

- High power LED light source
- Instant light (less than 100 ns)
- Low voltage DC operated
- Low thermal resistance
- RoHS Compliant
- Lead free reflow solder compatible

### Applications

- Portable (flashlight, bicycle)
- Downlighters/Orientation
- Decorative/Entertainment
- Bollards/Security/Garden
- Cove/Undershelf/Task
- Traffic signaling/Beacons/ Rail crossing and Wayside
- Indoor/Outdoor Commercial and Residential
- Edge\_lit signs (Exit, point of sale)

## 2. Outline Dimensions



### Notes

1. All dimensions are in millimeters.
2. Tolerance is  $\pm 0.2$  mm (.008") unless otherwise noted.
3. The anode side is electrically connected to slug (thermal pad).

### 3. Rating and Characteristics

#### 3.1. Absolute Maximum Ratings at Ta=25°C

Parameter	Symbol	Rating	Unit
Power Dissipation	$P_o$	2.73	W
Forward Current	$I_F$	700	mA
Reverse Voltage	$V_R$	5	V
Junction Temperature	$T_j$	115	°C
Thermal Resistance, Junction-Case	$R_{th, J-C}$	7.5	°C/W
Operating Temperature Range	$T_{opr}$	-40 - 85	°C
Storage Temperature Range	$T_{stg}$	-40 - 120	°C

Notes

1. Forbid to operating at reverse voltage condition for long.

## 3.2. Electro-Optical Characteristics at Ta=25°C

Parameter	Symbol	MIN.	TYP.	MAX.	Test Condition	Unit
Forward Voltage	$V_F$	3.03	3.50	3.99	$I_F = 350\text{mA}$	V
			4.00		$I_F = 700\text{mA}$	V
Reverse Current	$I_R$			100	$V_R = 5\text{V}$	$\mu\text{A}$
Luminous Flux <sup>1,3</sup>	$\Phi_V$	51.7	68	76.6	$I_F = 350\text{mA}$	lm
			119		$I_F = 700\text{mA}$	lm
Efficiency	$\eta$		55.5		$I_F = 350\text{mA}$	lm/W
			42.5		$I_F = 700\text{mA}$	lm/W
Color Rendering Index	CRI		80		$I_F = 350\text{mA}$	%
View Angle	$2\theta_{1/2}$		140		$I_F = 350\text{mA}$	°
Chromaticity Coordinates <sup>2,3</sup>	x		0.430		$I_F = 350\text{mA}$	
	Y		0.400			

### Notes

- Luminous flux is the total luminous flux output as measured with an integrating sphere.
- The chromaticity coordinates (x, y) is derived from the CIE 1931 chromaticity diagram.
- IS CAS140B is for the luminous flux (lm) and the CIE1931 chromaticity coordinates (x, y) testing.  
The chromaticity coordinates (x, y) guarantee should be added  $\pm 0.01$  tolerance.

3.3. Typical Electrical / Optical Characteristics Curves

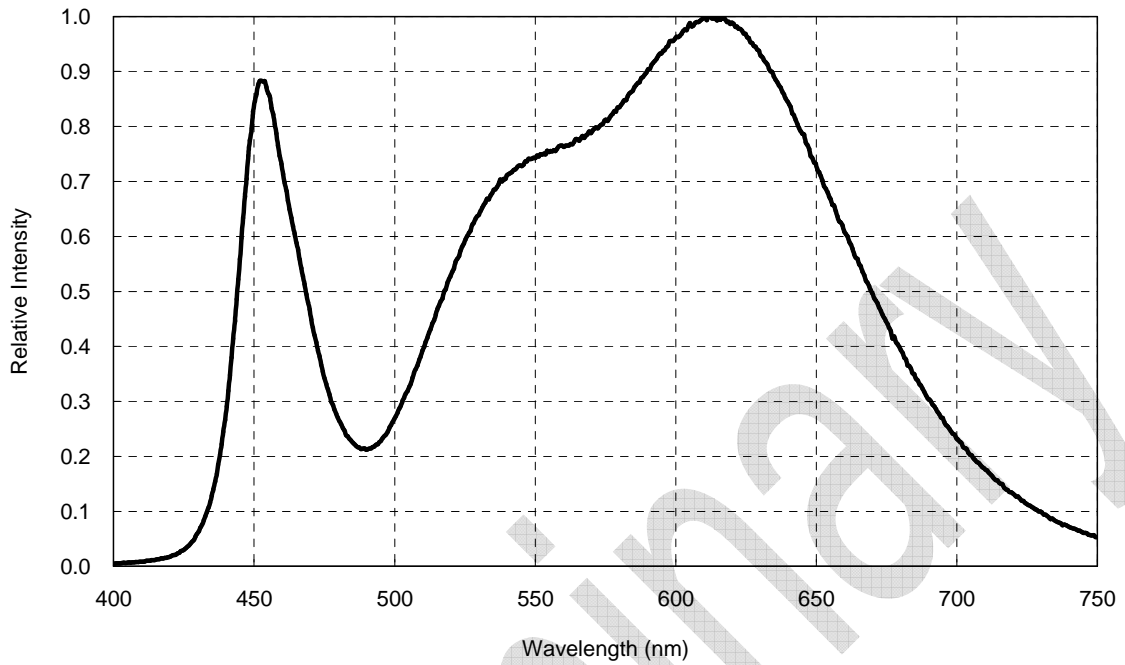


Fig 1. Relative Spectrum of Emission

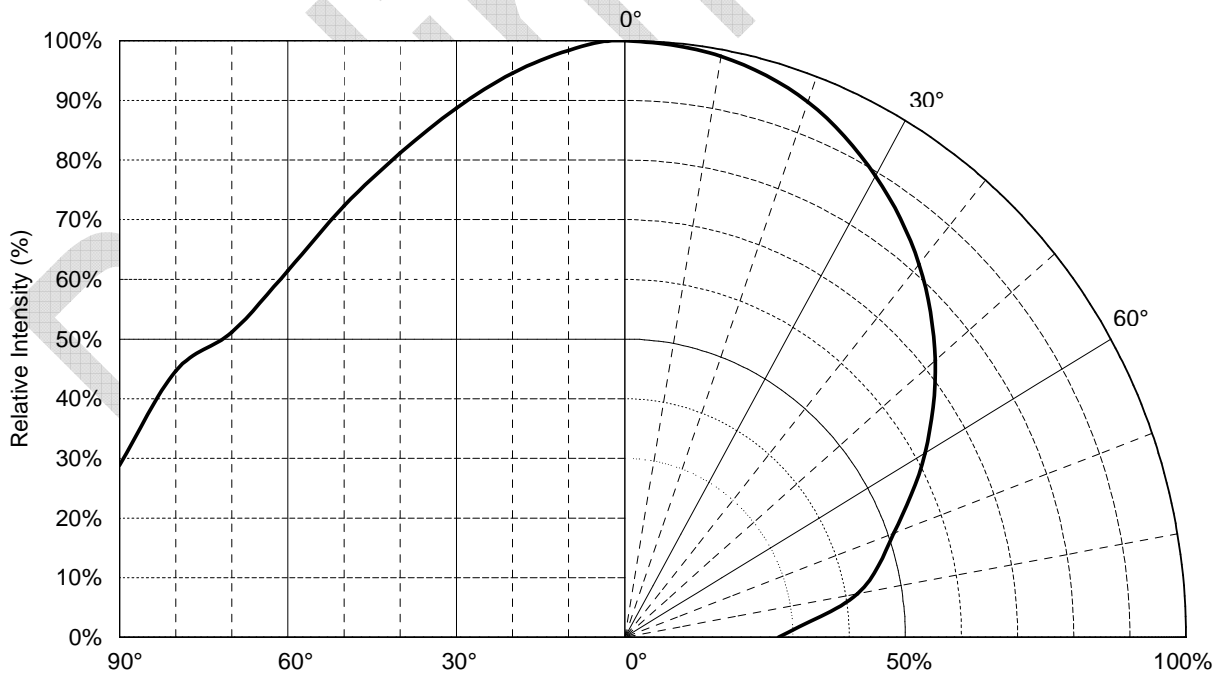


Fig 2. Radiation Characteristics

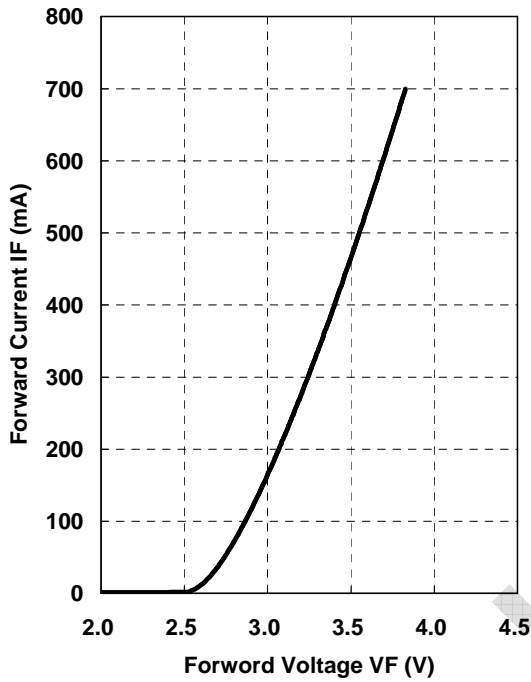


Fig 3. Forward Current

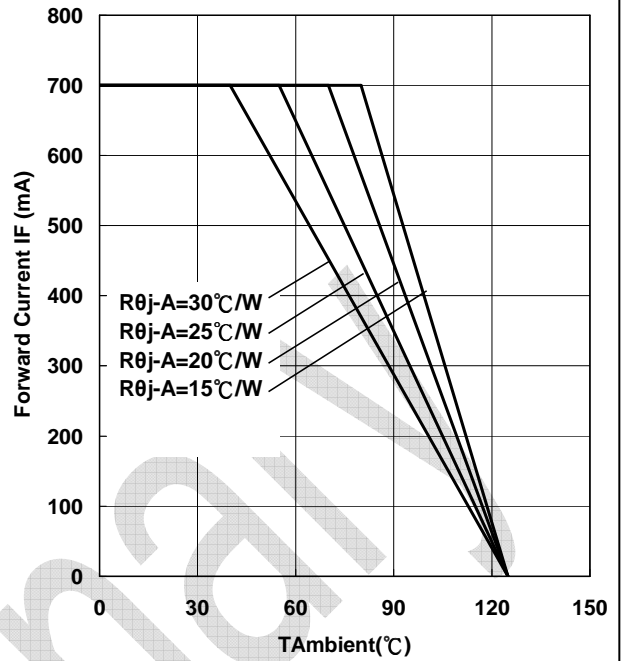


Fig 4. Forward Current Derating Curve

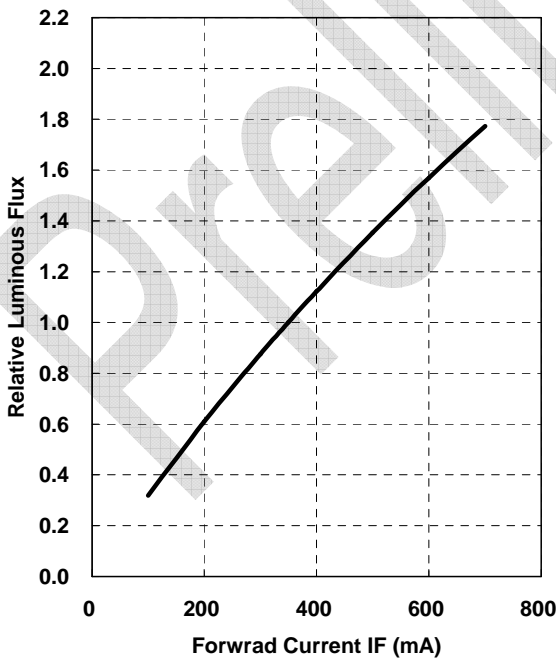


Fig 5. Relative Luminous Flux

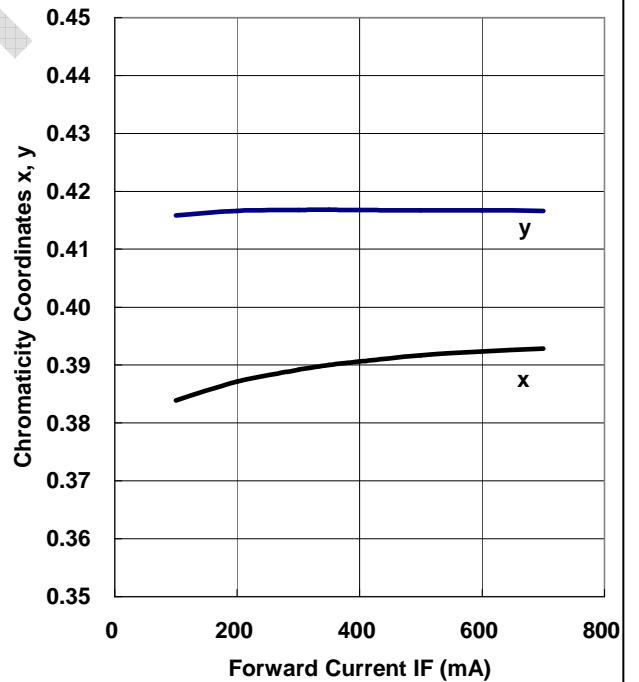


Fig 6. Chromaticity Coordinate Shift

## 4. Category Code Table

P0	J	P1
----	---	----

### Chromaticity Coordinate Categories

Code	x	y	Code	x	y	Code	x	y
M1	0.4625	0.4113	M2	0.4520	0.3927	M3	0.4546	0.4095
(2700)	0.4729	0.4299	(2700)	0.4625	0.4113	(2700)	0.4646	0.4280
	0.4813	0.4319		0.4703	0.4132		0.4729	0.4299
	0.4703	0.4132		0.4593	0.3944		0.4625	0.4113
M4	0.4446	0.3910	M5	0.4468	0.4077	M6	0.4373	0.3893
(2700)	0.4546	0.4095	(2700)	0.4562	0.4260	(2700)	0.4468	0.4077
	0.4625	0.4113		0.4646	0.4280		0.4546	0.4095
	0.4520	0.3927		0.4546	0.4095		0.4446	0.3910
P1	0.4386	0.4048	P2	0.4298	0.3867	P3	0.4305	0.4019
(3000)	0.4474	0.4228	(3000)	0.4386	0.4048	(3000)	0.4387	0.4197
	0.4562	0.4260		0.4468	0.4077		0.4474	0.4228
	0.4468	0.4077		0.4373	0.3893		0.4386	0.4048
P4	0.4222	0.3840	P5	0.4223	0.3990	P6	0.4147	0.3814
(3000)	0.4305	0.4019	(3000)	0.4299	0.4165	(3000)	0.4223	0.3990
	0.4386	0.4048		0.4387	0.4197		0.4305	0.4019
	0.4298	0.3867		0.4305	0.4019		0.4222	0.3840

### Forward Voltage Categories

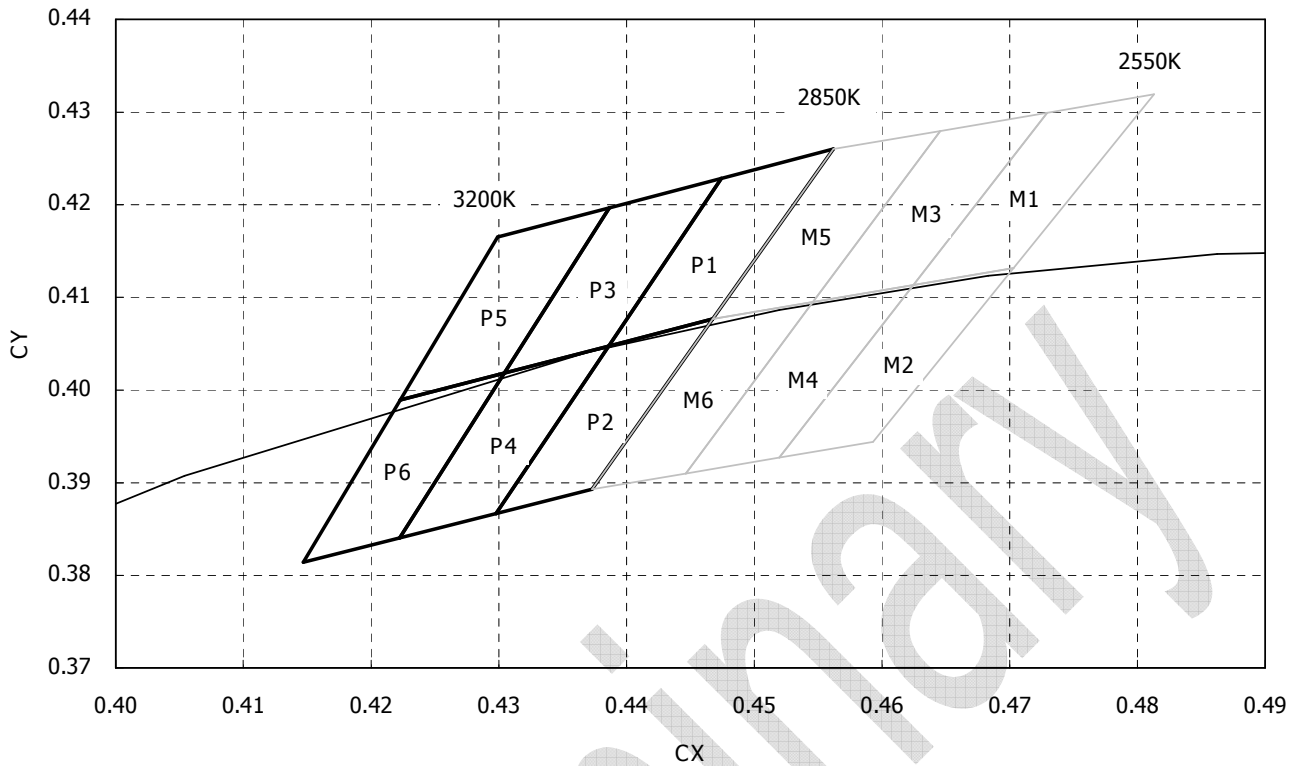
Code	Min	Max
H	3.03	3.27
J	3.27	3.51
K	3.51	3.75
L	3.75	3.99

### Luminous Flux Categories

Code	Min	Max
S0	51.7	67.2
T1	67.2	76.6

### CCT Bin Grade Spec

M:	2550-2850 K
P:	2850-3200 K

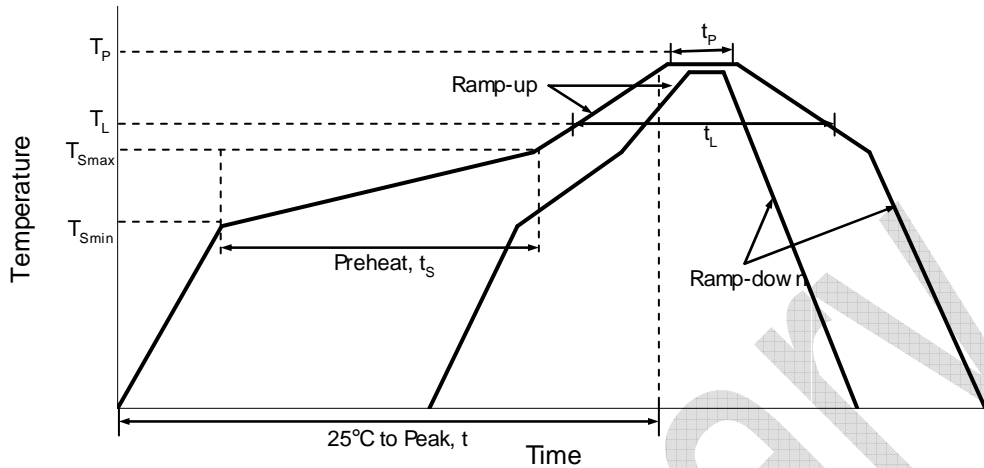


**Note**

1. The chromaticity coordinates (x, y) is derived from the CIE 1931 chromaticity diagram.



## 5. Reflow Soldering Characteristics



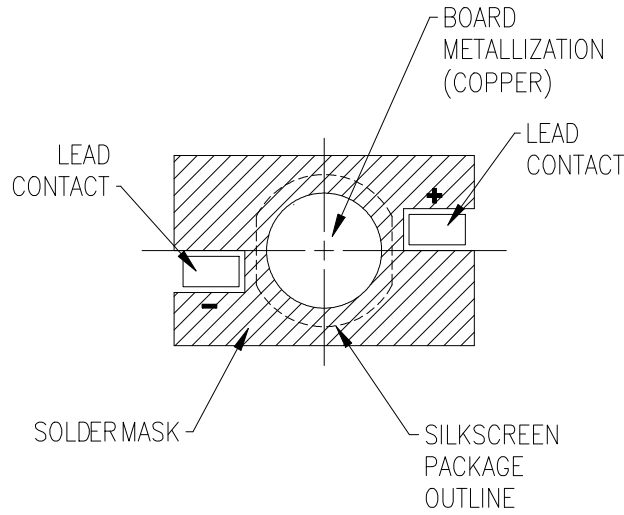
Profile Feature	Lead Free Assembly
Average Ramp-Up Rate ( $T_{Smax}$ to $T_P$ )	3°C / second max
Preheat Temperature Min ( $T_{Smin}$ )	150°C
Preheat Temperature Max ( $T_{Smax}$ )	200°C
Preheat Time ( $t_{Smin}$ to $t_{Smax}$ )	60 – 180 seconds
Time Maintained Above Temperature ( $T_L$ )	217°C
Time Maintained Above Time ( $t_L$ )	60 – 150 seconds
Peak / Classification Temperature ( $T_P$ )	260°C
Time Within 5°C of Actual Peak Temperature ( $t_p$ )	5 seconds
Ramp – Down Rate	6°C / second max
Time 25°C to Peak Temperature	8 minutes max

Notes:

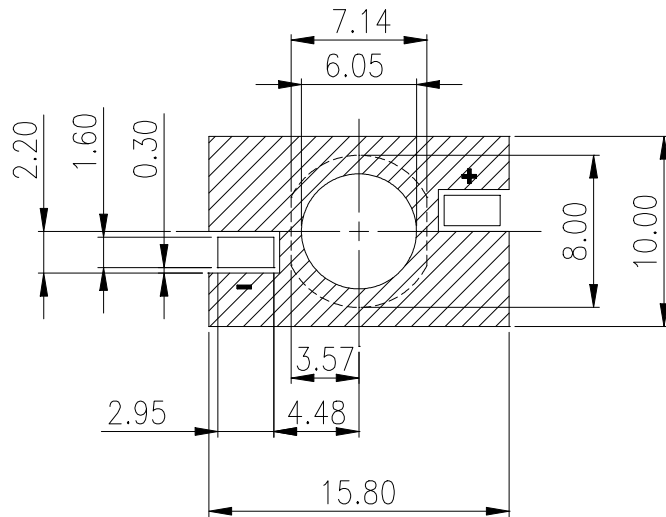
- The LEDs can be soldered using the reflow soldering or hand soldering method. The recommended hand soldering condition is 350°C max. and 2secs max. for one time only.
- All temperatures refer to topside of the package, measured on the package body surface.
- The soldering condition referring to J-STD-020B. If the LEDs were unpacked more than 24hrs, baking the LEDs at 60°C for 60 mins before soldering process.
- The soldering profile could be further referred to different soldering grease material characteristic. The grease vendor will provide this information.
- A rapid-rate process is not recommended for the LEDs cooling down from the peak temperature.
- Although the recommended reflow conditions are specified above, the reflow or hand soldering condition at the lowest possible temperature is desirable for the LEDs.
- LiteOn cannot make a guarantee on the LEDs which have been already assembled using the dip soldering method

**6. Recommend Solder Pad**

(I) Solder Pad Design



(II) Solder Pad Layout



Notes:

1. All dimensions are in millimeters
2. The circle metallization board and lead contact pad is electrically isolated.

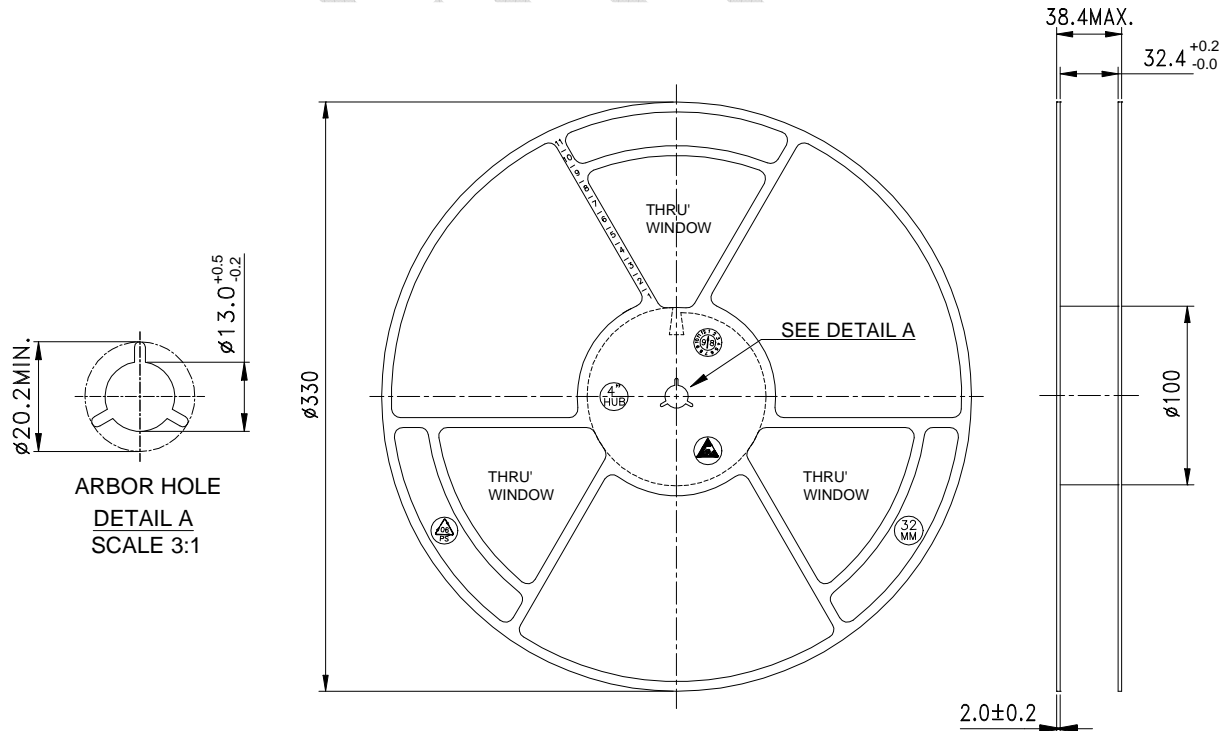
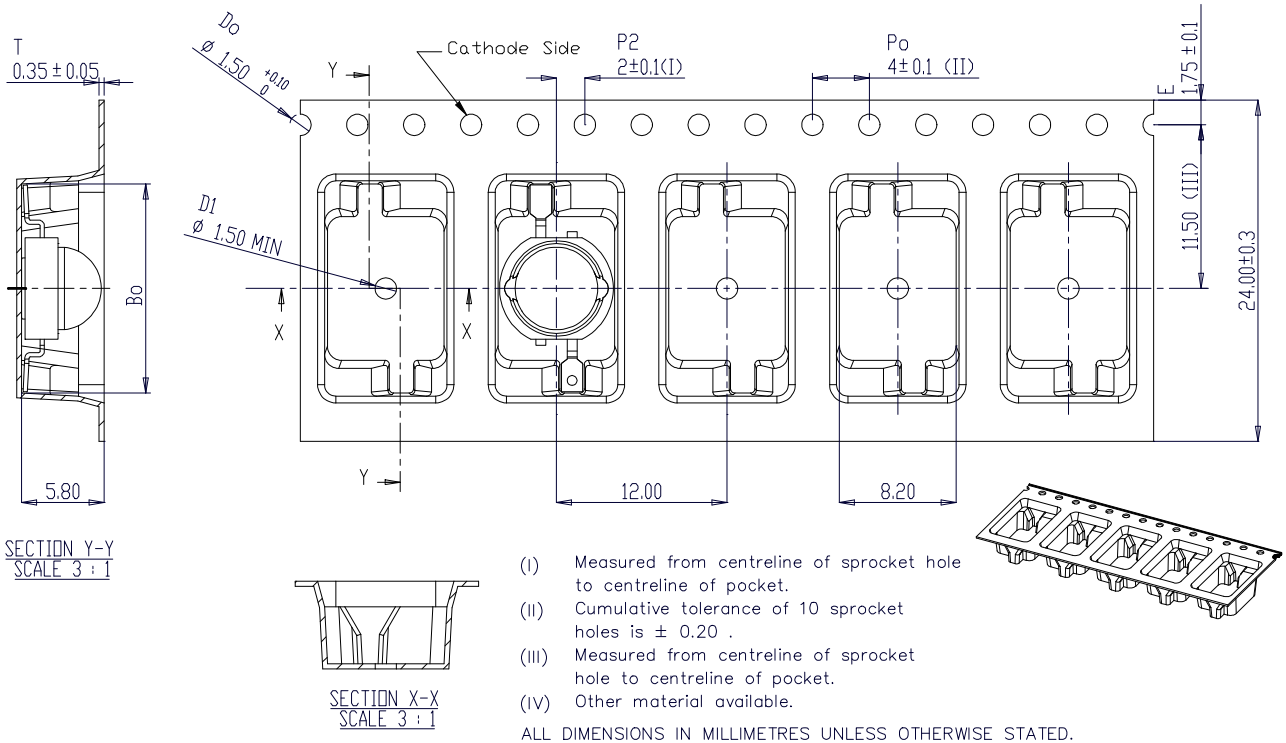
## 7. Reliability Test Plan

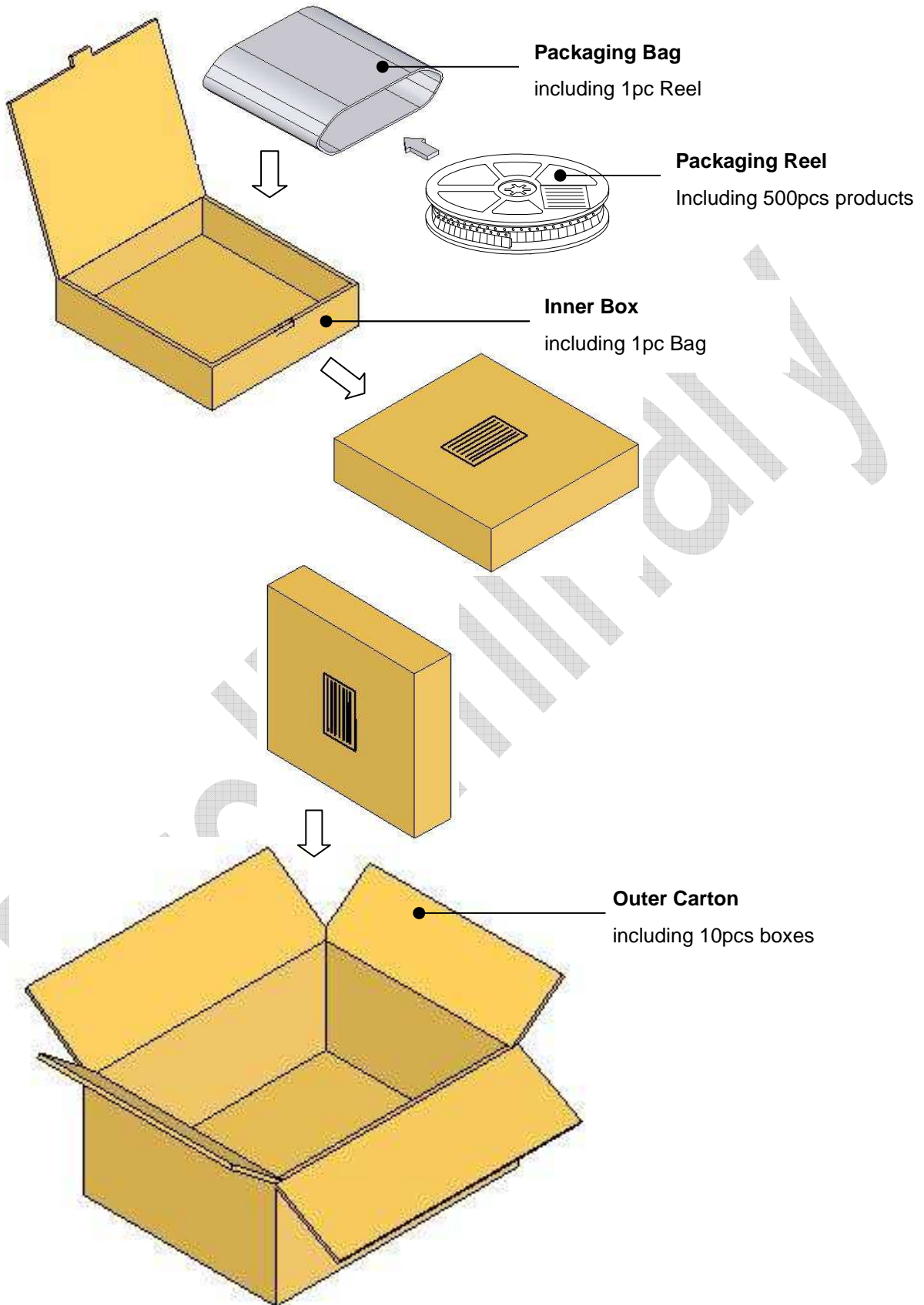
Test Item	Test Condition	Test Point	Number of Damaged
High Temperature Operating Life (HTOL)	85 °C , I <sub>F</sub> =200mA	1000 Hours	0 / 22
Room Temperature Operating Life (RTOL)	25°C, I <sub>F</sub> = 350mA	1000 Hours	0 / 22
Low Temperature Operating Life (LTOL)	-40°C, I <sub>F</sub> = 350mA	1000 Hours	0 / 22
Wet High Temperature Operating Life (WHTOL)	85°C / 85%RH, I <sub>F</sub> = 200mA	1000 Hours	0 / 22
High Temperature Storage	T <sub>a</sub> = 110°C	1000 Hours	0 / 22
Low Temperature Storage	T <sub>a</sub> = -40°C	1000 Hours	0 / 22
Powered Temperature Cycle (PTMCL)	-40°C to 85°C, 18 minutes dwell, 42 minutes transfer (2 hour cycle) , 5mins ON/5 mins OFF I <sub>F</sub> = 350mA	200 Cycles	0 / 22
Temperature Cycle (TMCL)	-40°C ~ 25°C~ 100°C~25°C 15min 5min. 15min. 5min	200 Cycles	0 / 22
Thermal Shock	-40°C to 100°C, 15 min dwell, < 10 sec transfer	200 Cycles	0 / 22
Resistance to Soldering Heat	T <sub>slid</sub> = 260°C, 10 sec	3 Times	0 / 22

### Criteria for Judging the Damage

Item	Symbol	Test Condition	Criteria for Judgment	
			Min.	Max.
Forward Voltage	V <sub>f</sub>	I <sub>F</sub> = 350mA		U.S.L. x 1.1
Luminous Intensity	L <sub>m</sub>	I <sub>F</sub> = 350mA	L.S.L. x 0.7	

**8. Package Dimensions of Tape and Reel**





## 9. Cautions

### 9.1. Application

The LEDs described here are intended to be used for ordinary electronic equipment (such as office equipment, communication equipment and household applications). Consult Liteon's Sales in advance for information on applications in which exceptional reliability is required, particularly when the failure or malfunction of the LEDs may directly jeopardize life or health (such as in aviation, transportation, traffic control equipment, medical and life support systems and safety devices).

### 9.2. Storage

This product is qualified as Moisture Sensitive Level 4 per JEDEC J-STD-020 Precaution when handling this moisture sensitive product is important to ensure the reliability of the product.

The package is sealed:

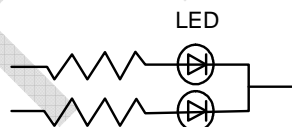
The LEDs should be stored at 30°C or less and 90%RH or less. And the LEDs are limited to use within one year, while the LEDs is packed in moisture-proof package with the desiccants inside.

The package is opened:

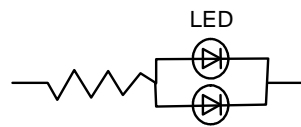
The LEDs should be stored at 30°C or less and 60%RH or less. Moreover, the LEDs are limited to solder process within 72hrs. If the Humidity Indicator shows the pink color in 10% even higher or exceed the storage limiting time since opened, that we recommended to be with workable desiccants in original package.

### 9.3. Drive Method

An LED is a current-operated device. In order to ensure intensity uniformity on multiple LEDs connected in parallel in an application, it is recommended that a current limiting resistor be incorporated in the drive circuit, in series with each LED as shown in Circuit A below.



Circuit model A



Circuit model B

(A) Recommended circuit.

(B) The brightness of each LED might appear different due to the differences in the I-V characteristics of those LEDs.

#### 9.4. ESD (Electrostatic Discharge)

Static Electricity or power surge will damage the LED. Suggestions to prevent ESD damage:

- Use a conductive wrist band or anti-electrostatic glove when handling these LEDs.
- All devices, equipment, and machinery must be properly grounded.
- Work tables, storage racks, etc. should be properly grounded.
- Use ion blower to neutralize the static charge which might have built up on surface of the LED's plastic lens as a result of friction between LEDs during storage and handling.

ESD-damaged LEDs will exhibit abnormal characteristics such as high reverse leakage current, low forward voltage, or "no light up" at low currents. To verify for ESD damage, check for "light up" and  $V_F$  of the suspect LEDs at low currents. The  $V_F$  of "good" LEDs should be  $>2.0V@0.1mA$  for InGaN product.

Preliminary

**9.5. Lens handling remark**

The LED should only be picked up by making contact with the sides of the LED body. It should not put any pressure on the lens either by finger or any hand tool. Do not puncture or push the lens. Below figure illustrate correct and incorrect handling.

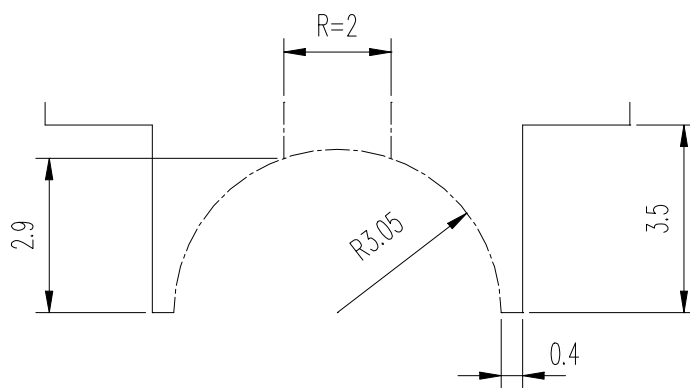


Picture 1. Correct handling of Liteon LED

Picture 2. Incorrect handling of Liteon LED

● **Pick and place remark**

Automated pick-and-place equipment provides the best placement of Liteon LED. Below figure showed an example of a pick-and-place nozzle suitable for Liteon LED. All dimensions are in millimeters.



Picture 3. Pick-and-place collet



## 9.6. Suggested Checking List

### Training and Certification

1. Working area is ESD-certified.
2. Training records and re-certification dates monitored.

### Static-Safe Workstation & Work Areas

1. Static-safe working stations or work-areas have ESD signs.
2. All surfaces and objects at all static-safe workstation and within 1 ft measure less than 100V.
3. All ionizer activated, positioned towards the units.
4. Each work surface mats grounding is good.

### Personnel Grounding

1. Every person (including visitors) handling ESD sensitive (ESDS) items wear wrist strap, heel strap or conductive shoes with conductive flooring.
2. If conductive footwear used, conductive flooring also present.
3. Garments, hairs or anything closer than 1 ft to ESD items measure less than 100V.
4. The wrist strap or heel strap/conductive shoes are checked daily and result recorded.
5. All wrist strap or heel strap checkers calibration up to date.

### Device Handling

1. Each ESDS items identified by EIA-471 labels on item or packaging..
2. No static charge generators (e.g. plastics) inside shielding containers with ESDS items.
3. All flexible conductive and dissipative package materials are inspected before reuse or recycles