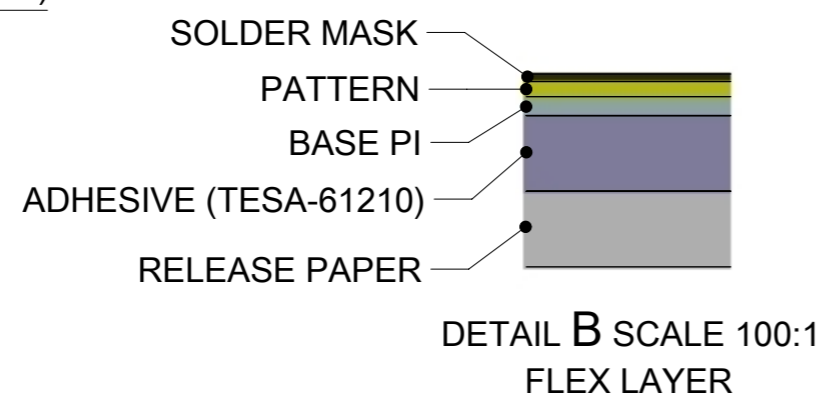
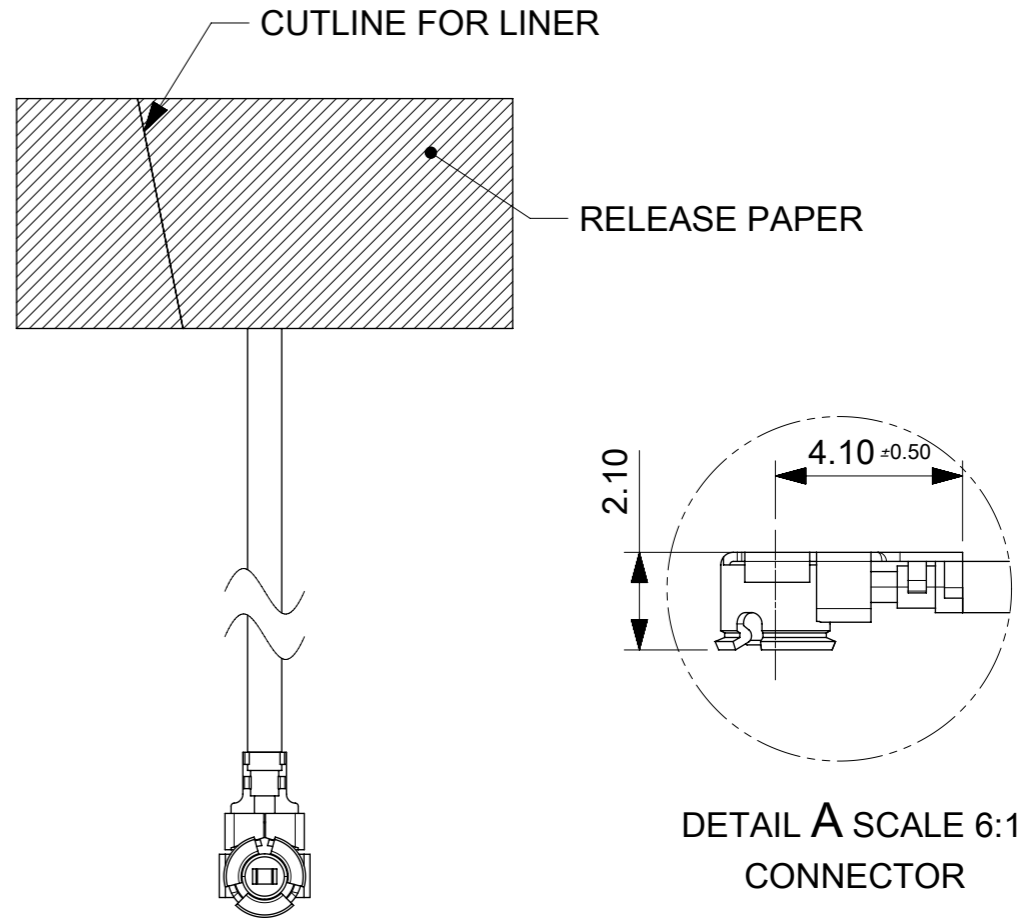
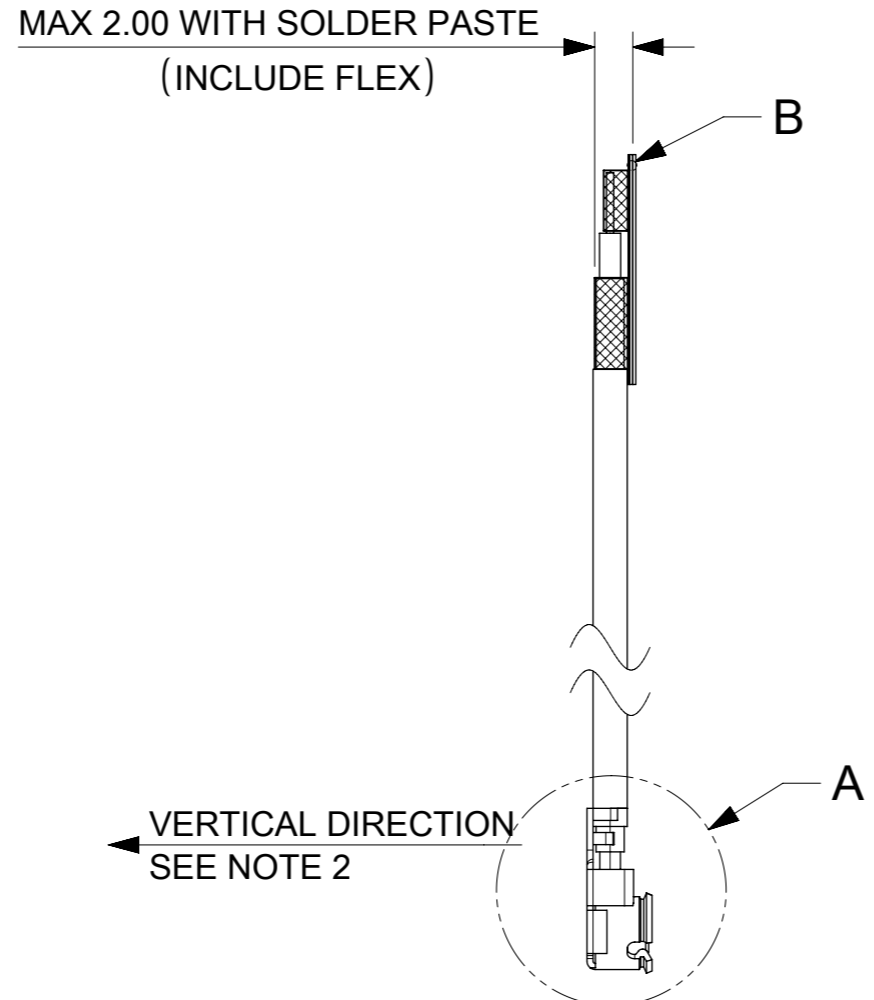
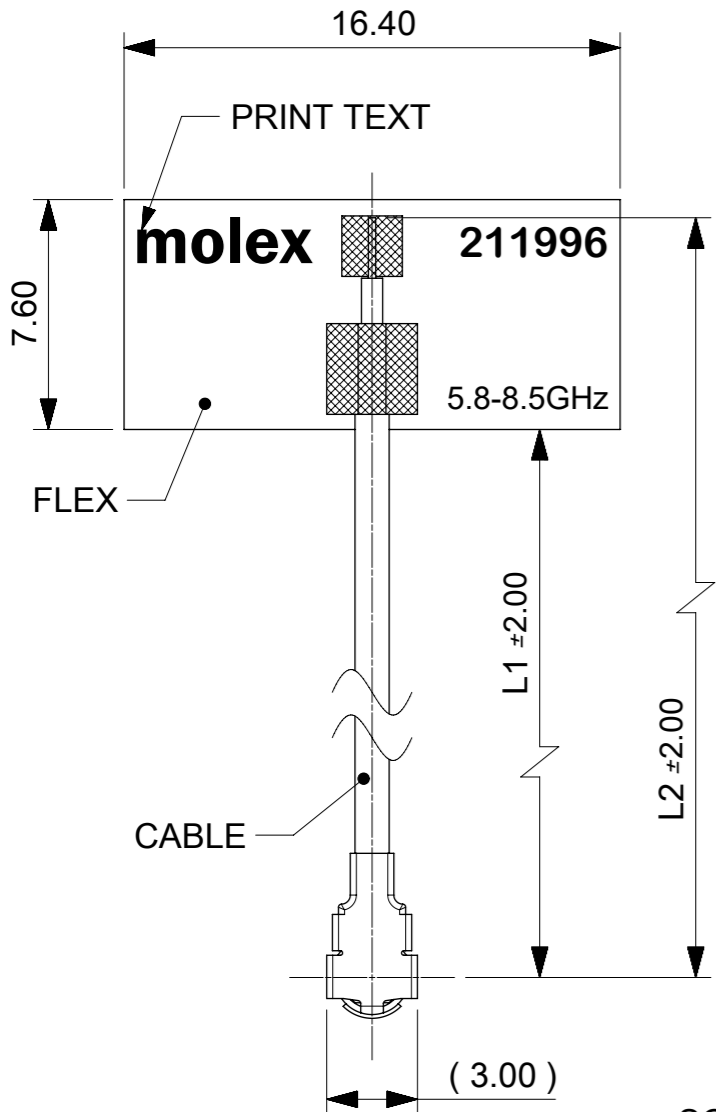


REV	DATE	CHANGE DESCRIPTION
A	2019/03/22	NEW RELEASE
B	2019/12/02	UPDATE PRINT TEXT (5.9 CHANGE OF 5.8-8.5)



ITEM	MATERIAL NO.	"L1"-LENGTH	"L2"-LENGTH
1	2119960050	43 mm	50 mm
2	2119960100	93 mm	100 mm
3	2119960150	143 mm	150 mm
4	2119960200	193 mm	200 mm
5	2119960250	243 mm	250 mm
6	2119960300	293 mm	300 mm

- NOTES:
- MATERIAL:FLEX SIZE 16.4\*7.6 mm  
CABLE:Ø1.13 mm  
CONNECTOR:OD1.13 RF 2.5H U.FL CONNECTOR-PLUG GOLD PLATED ( IPEX MHF-I COMPATIBLE )
  - FOR PULL TEST, CAN NOT LIFT UP IN THE VERTICAL DIRECTION.
  - SOLDER MASK COLOR:BLACK.
  - PRINT TEXT COLOR:WHITE.
  - ADHESIVE MATERIAL:TESA-61210 100um.
  - THE CONNECTOR WILL BE PROTECTED WITH A CAP

<b>SYMBOLS</b> ▽ = 0 ▽ = 0 ▽ = 0 ▽ = 0 ▽ = 0 ▽ = 0 ▽ = 0 ▽ = 0 ▽ = 0 ▽ = 0 ▽ = 0 ▽ = 0	THIS DRAWING CONTAINS INFORMATION THAT IS PROPRIETARY TO MOLEX ELECTRONIC TECHNOLOGIES, LLC AND SHOULD NOT BE USED WITHOUT WRITTEN PERMISSION DIMENSION UNITS: <b>mm</b> SCALE: <b>2:1</b> GENERAL TOLERANCES (UNLESS SPECIFIED) ANGULAR TOL ± ° 4 PLACES ± 3 PLACES ± 0.2 2 PLACES ± 0.25 1 PLACE ± 0.3 0 PLACES ± 0.5 DRAFT WHERE APPLICABLE MUST REMAIN WITHIN DIMENSIONS	CURRENT REV DESC: EC NO: 626809 DRWN: KCHENG06 2019/12/02 CHK'D: XJSONG 2019/12/09 APPR: XJSONG 2019/12/09 INITIAL REVISION: DRWN: KCHENG06 2019/03/22 APPR: XJSONG 2019/04/04	 5.8-8.5GHZ FLEXIBLE ANTENNA PRODUCT CUSTOMER DRAWING
	DOCUMENT NUMBER: <b>2119960100</b> DOC TYPE: PSD DOC PART: 000 REVISION: B		SHEET NUMBER: 1 OF 1
	THIRD ANGLE PROJECTION: DRAWING: A3-SIZE SERIES: 211996 MATERIAL NUMBER: 2119960100 CUSTOMER: GENERAL MARKET		
	DOCUMENT STATUS: P1   RELEASE DATE: 2019/12/09 02:20:08		