

Extractor Tool

Application Tooling Specification Sheet

Order No. 63824-4300

FEATURES

- This Extractor Tool is used for removing the module from a 30-Way or 54-Way MQS Assembly Housings.
- This tool works in conjunction with the extractor tool 63813-4400.

SCOPE

Products: 30 and 54-Way Connectors for MQS Assembly Housings.

Housing Series No.	Housing Connector	Housing Order No.		
98982	30 Way	98982-2231	98982-2237	98982-2238
	54 Way	98982-2251	98982-2257	98982-2258

Tie Wrap

Before removing the module the tie wrap will need to be removed. Cut the tie wrap only in the blue area shown in Figure 1.



WARNING: Do not damage wires and connector.

OPERATION:

Before using the Extractor tool make sure the lever is locked in the open position (delivery position).

Note: Do not manipulate the lever during these operations.

For 30-Way Connector

1. Place the extractor tool fingers in the two top slots to open the latches.
2. Insert and rotate the extractor tool. See Figure 2.
3. Push the extractor tool to release the latches. Do not remove the extractor tool.
4. Hold onto the harness and gently pull the housing away from the module.

Note: The module will need to be replaced after removing it three times from the housing.

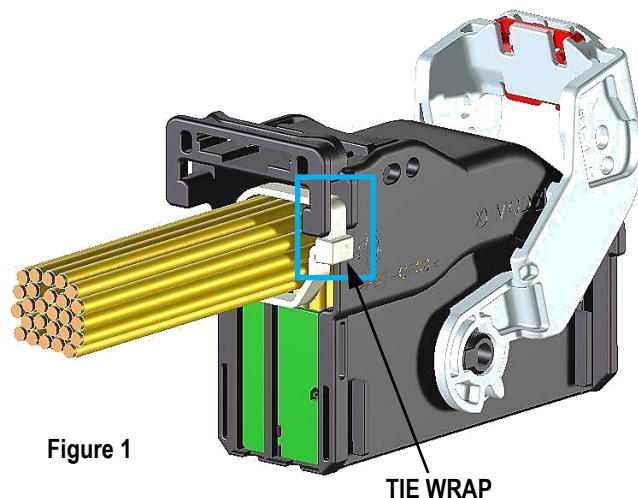
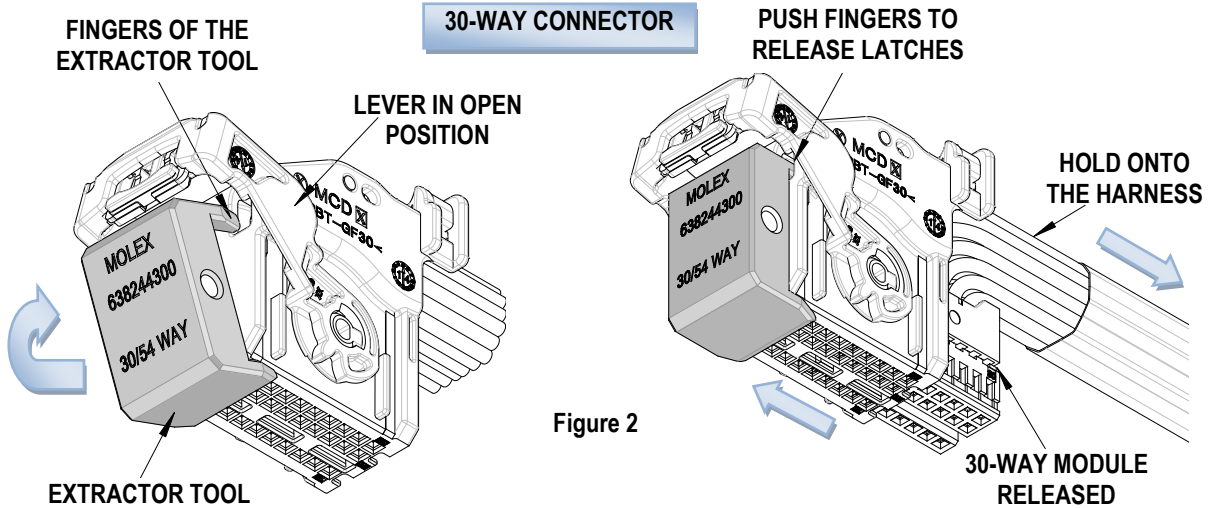


Figure 1

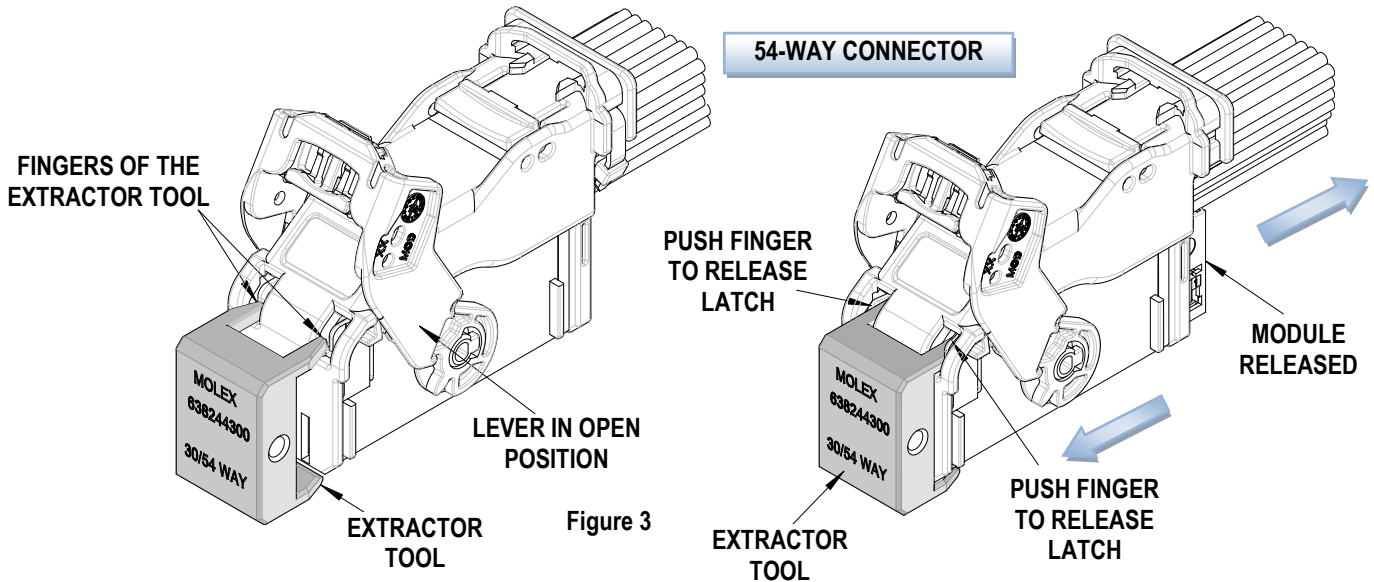
TIE WRAP



For 54-Way Connector

1. Place the extractor fingers in the two slots to open the latches.
2. Push the extractor tool to release the latches. Do not remove the extractor tool.
3. Hold onto the harness and gently pull the housing away from the module. See Figure 3.

Note: The module will need to be replaced after removing it three times from the housing.



CAUTION: This extractor tool should be used to extract the module only. Using it for unintended purposes may cause injury or damage to parts.

CAUTION: Molex specifications are valid only when used with Molex connectors, terminals, applicators and tooling.

Molex does not offer repair parts for Extractor Tools due to the inexpensive nature of these tools.

Visit our Web site at <http://www.molex.com>