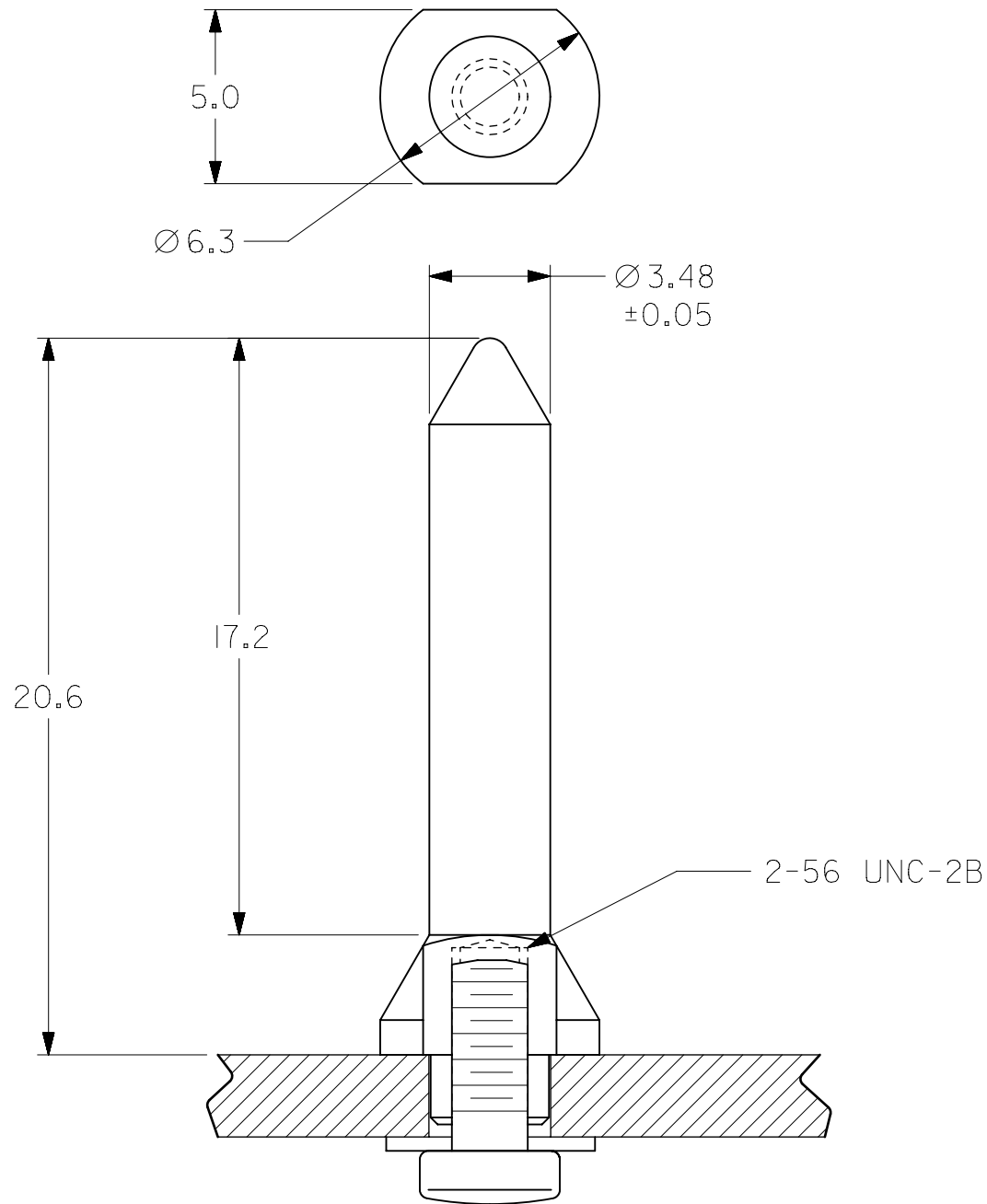
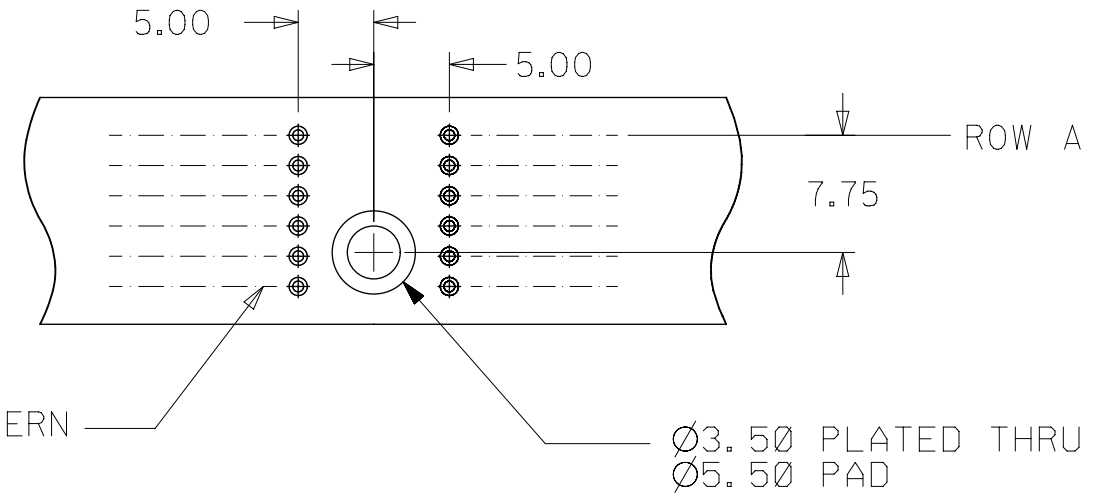


PART NUMBER	DESCRIPTION	SEMS SCREW	BOARD THICKNESS
73962-0000	STAND ALONE POST	NOT SUPPLIED	VARIOUS
73962-2000	KIT: POST w/ SCREW	<b>73774-1015</b>	<b>2.50 - 5.25 mm</b>



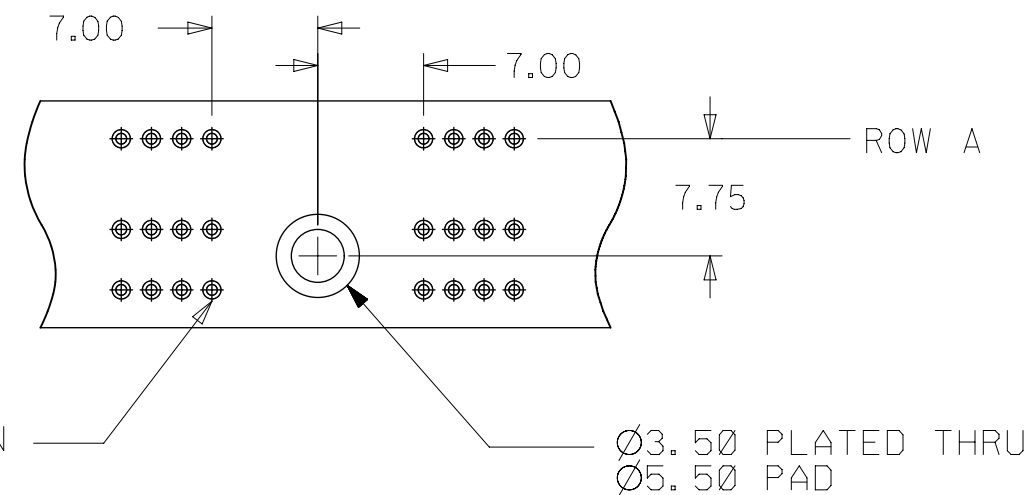
- NOTES:
1. MATERIAL: STAINLESS STEEL
  2. FINISH: PASSIVATE
  3. THIS PART CONFORMS TO MOLEX PRODUCT SPECIFICATION PS-73670-9999
  4. PARTS ARE BULK PACKED

BACKPLANE SIGNAL HOLE PATTERN  
SCALE 2:1



BACKPLANE SIGNAL PATTERN  
2X

BACKPLANE POWER HOLE PATTERN  
SCALE 2:1



BACKPLANE POWER PATTERN  
2X

PRE-RELEASE  
REFERENCE  
USE ONLY

THIS DRAWING CONTAINS INFORMATION THAT IS PROPRIETARY TO MOLEX ELECTRONIC TECHNOLOGIES, LLC AND SHOULD NOT BE USED WITHOUT WRITTEN PERMISSION									
DIMENSION UNITS <b>mm</b>		SCALE <b>5:1</b>		CURRENT REV DESC: REMOVED OBSOLETE PART NUMBER AS PER PCN#511698.				<b>molex</b>	
GENERAL TOLERANCES (UNLESS SPECIFIED)				EC NO: 742551					
				DRWN: SANTHN 2023/03/30				HDM BACKPLANE MODULE GUIDE POST SALES ASSEMBLY	
4 PLACES ±				CHK'D: GGA 2023/05/12				PRODUCT CUSTOMER DRAWING	
3 PLACES ±				APPR: GGA 2023/05/12				DOCUMENT NUMBER	
2 PLACES ± 0.13				INITIAL REVISION:				SD-73962-002	
1 PLACE ± 0.25				DRWN: J JONIAK 2005/09/29				DOC TYPE   DOC PART   REVISION	
0 PLACES ±				APPR: J JONIAK 2005/09/29				PSD   001   G	
ANGULAR TOL ± 0.5°				DRAFT WHERE APPLICABLE MUST REMAIN WITHIN DIMENSIONS		THIRD ANGLE PROJECTION		SHEET NUMBER	
				DRAWING <b>B-SIZE</b>		SERIES <b>73962</b>		1 OF 1	
				MATERIAL NUMBER SEE CHART		CUSTOMER GENERAL MARKET			