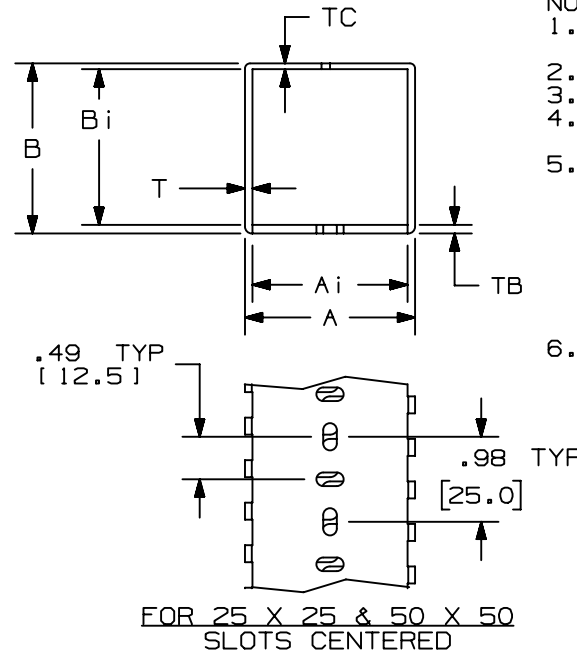
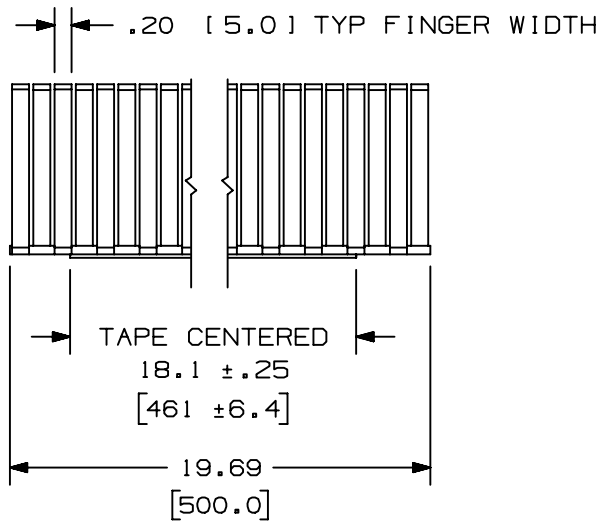
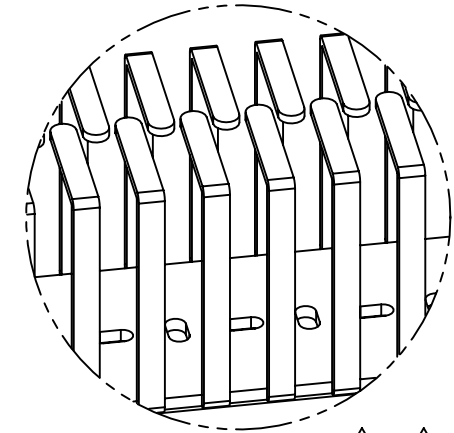
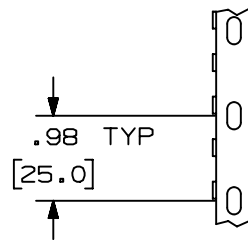
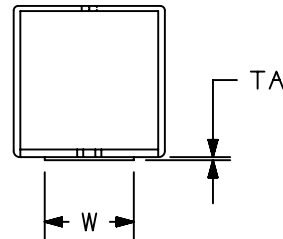
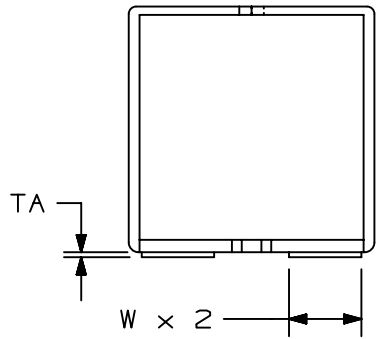


THIS COPY IS PROVIDED ON A RESTRICTED BASIS AND IS NOT TO BE USED IN ANY WAY DETRIMENTAL TO THE INTERESTS OF PANDUIT CORP.



NOTES:

1. DIMENSIONS IN PARENTHESES ARE IN METRIC.
2. COLOR: LIGHT GREY
3. "TA" DIMENSION IS REFERENCE ONLY.
4. MOUNTING HOLE SLOT DIMENSIONS: .16 (4.0) X .31 (8.0) - TYP.
5. NO WARRANTY, EXPRESSED OR IMPLIED, IS MADE BY PANDUIT WITH THE RESPECT TO ADHESIVE BOND PERFORMANCE. AMONG OTHER THINGS, THE CONDITIONS UNDER WHICH THESE DUCTS MAY BE APPLIED AND/OR THE SURFACE TO WHICH THEY MAY BE APPLIED ARE BEYOND PANDUIT'S CONTROL.
6. ONE COMPLETE MOUNTING HOLE ON BOTH ENDS OF DUCT WILL NOT BE COVERED BY TAPE.



FL50X50LG: -A; -AV
2 STRIPS OF TAPE (R)

FL12X12LG: -A; -AV &
FL25X25LG: -A; -AV (R)
TAPE CENTERED

FOR 12 X 12
SLOTS CENTERED

(Q) (P)

REV	DATE	BY	CHK	APR	DESCRIPTION	ECN
11A	03.01.21	BDK	MRJS	JADE	R. ADDED PART NUMBERS "FL12X12LG; FL25X25LG; FL50X50LG; FL12X12LG-AV; FL25X25LG-AV; FL50X50LG-AV"	101297
10	03-09-15	JBN	MRJS	RGRO	Q. REVISED DIMENSIONS AND TOLERANCES	38086-03
9	02-26-13	JBN	RTFI	RTFI	P. UPDATED DRAWING BORDER & TITLE BLOCK	38086-03

TITLE		FLEXIBLE DUCT SIZES: 12mm, 25mm, 50mm CUSTOMER DRAWING	
ITEM REVISION NAME		D38086BC/11	
DATASET FILE NAME		D38086BC_DC/11A	
UNLESS OTHERWISE SPECIFIED, DIMENSIONAL TOLERANCES ARE: IN [mm]		MATERIAL: POLYPROPYLENE	
.x ± .xxx ± .xx ± .02 [.5]		ANGLES ±	
THIRD ANGLE PROJECTION		DRAWING NUMBER: 38086-03	
DRAWN BY	DATE	CHK	SCALE
JCST	04-10-01	JKG	NONE
SHT 1 OF 2		SIZE A	

D10100DA/14

THIS COPY IS PROVIDED ON A RESTRICTED BASIS AND IS NOT TO BE USED IN ANY WAY DETRIMENTAL TO THE INTERESTS OF PANDUIT CORP.

PANDUIT P/N	A X B ± .04 [1.0]	Ai x Bi ± .04 [1.0]	T	TB	TC	T, TB, TC TOLERANCES	TAPE QTY. W X TA	WEIGHT	PKG. QTY.
	FL12X12LG	.49 X .49 [12.5 X 12.5]	.40 x .40 [10.3 x 10.6]	.04 [1.0]	.04 [1.1]	.04 [0.9]	± .006 [.15]	N/A N/A	0.02 lb/ea [10.8 g/ea]
FL25X25LG	.98 X .98 [25.0 X 25.0]	.90 x .90 [21.8 x 22.3]	.06 [1.5]	.06 [1.6]	.05 [1.2]	± .015 [.38]	N/A N/A	0.07 lb/ea [31.7 g/ea]	70
FL50X50LG	1.97 X 1.97 [50.0 X 50.0]	1.80 x 1.80 [45.0 x 45.0]	.09 [2.2]	.10 [2.5]	.07 [1.7]	± .025 [.64]	N/A N/A	0.21 lb/ea [96.6 g/ea]	32
FL12X12LG-A	.49 X .49 [12.5 X 12.5]	.40 x .40 [10.3 x 10.6]	.04 [1.0]	.04 [1.1]	.04 [0.9]	± .006 [.15]	1 .24 [6.1] X .04 [1.0]	0.03 lb/ea [12.3 g/ea]	112
FL25X25LG-A	.98 X .98 [25.0 X 25.0]	.90 x .90 [21.8 x 22.3]	.06 [1.5]	.06 [1.6]	.05 [1.2]	± .015 [.38]	1 .58 [14.7] X .04 [1.0]	0.07 lb/ea [33.3 g/ea]	70
FL50X50LG-A	1.97 X 1.97 [50.0 X 50.0]	1.80 x 1.80 [45.0 x 45.0]	.09 [2.2]	.10 [2.5]	.07 [1.7]	± .025 [.64]	2 .58 [14.7] X .04 [1.0]	0.23 lb/ea [103.3 g/ea]	32
FL12X12LG-AV	.49 X .49 [12.5 X 12.5]	.40 x .40 [10.3 x 10.6]	.04 [1.0]	.04 [1.1]	.04 [0.9]	± .006 [.15]	1 .24 [6.1] X .025 [0.6]	0.03 lb/ea [12.6 g/ea]	112
FL25X25LG-AV	.98 X .98 [25.0 X 25.0]	.90 x .90 [21.8 x 22.3]	.06 [1.5]	.06 [1.6]	.05 [1.2]	± .015 [.38]	1 .58 [14.7] X .025 [0.6]	0.08 lb/ea [35.4 g/ea]	70
FL50X50LG-AV	1.97 X 1.97 [50.0 X 50.0]	1.80 x 1.80 [45.0 x 45.0]	.09 [2.2]	.10 [2.5]	.07 [1.7]	± .025 [.64]	2 .58 [14.7] X .025 [0.6]	0.23 lb/ea [105.4 g/ea]	32

REV	DATE	BY	CHK	APR	DESCRIPTION	ECN	TITLE FLEXIBLE DUCT SIZES: 12mm, 25mm, 50mm CUSTOMER DRAWING					
							ITEM REVISION NAME D38086BC/11					
							DATASET FILE NAME D38086BC_DC/11A					
11A	03.01.21	BDK	MRJS	JADE	SEE SHEET 1 FOR DESCRIPTION OF CHANGES	101297	UNLESS OTHERWISE SPECIFIED, DIMENSIONAL TOLERANCES ARE: IN [mm]					
10	03-09-15	JBN	MRJS	RTFI	SEE SHEET 1 FOR DESCRIPTION OF CHANGES	38086-03	MATERIAL: POLYPROPYLENE					
9	02-26-13	JBN	RTFI	RTFI	SEE SHEET 1 FOR DESCRIPTION OF CHANGES	38086-03	DRAWING NUMBER: 38086-03					
							THIRD ANGLE PROJECTION					
							DRAWN BY JCST	DATE 04-10-01	CHK JKG	SCALE NONE	SHT 2 OF 2	SIZE A

D10100DA/14