

Ratings

Voltage: 60 V
 Current: 1 A
 Waterproof: IP 67

Operating Temperature Range

-40 ~ 85 °C

Materials

- ① Insulator: Nylon 66 + 30% glass fiber, black
- ② Pin: brass, gold-flashing
- ③ Shell: brass, nickel plated
- ④ O-ring: rubber
- ⑤ Hexagonal nut: brass, nickel plated
- ⑥ O-ring: rubber

Electrical Requirements

Dielectric strength: 1 min @ 500 Vac
 Insulation resistance: $10^8 \Omega$ min
 Contact resistance: 10 m Ω or less

Mechanical Requirements

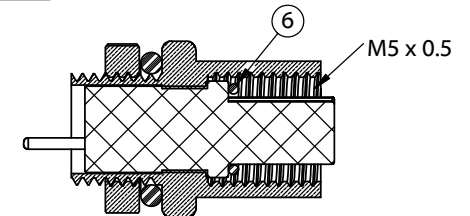
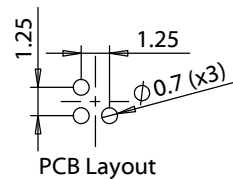
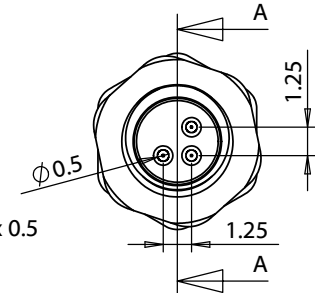
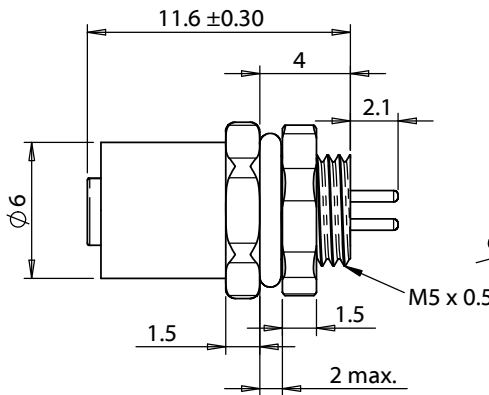
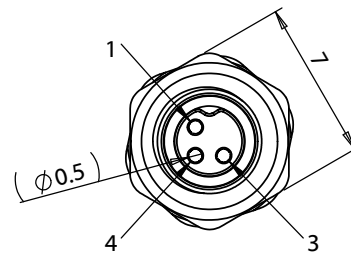
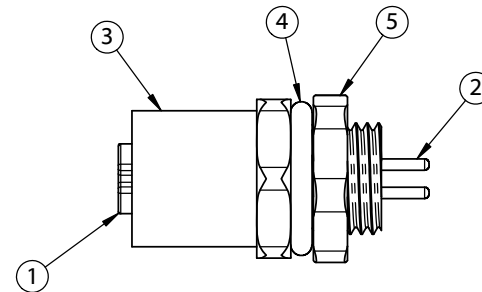
Insertion force: 0.82 kgf max
 Withdrawal force: 0.62 kgf max
 Life cycle: 500 mating cycles

Environmental Requirements

Cold test: -25 °C for 2 hours without deformation
 Heat test: 85 °C for 16 hours while maintaining minimum $10^8 \Omega$ insulation resistance

Assembly info

Wire guage: 26 AWG max ($\phi 0.5$ mm)
 Panel cutout: $\phi 5.1$ mm recommended



SECTION A-A

Revision:	Date:	Description:	Prepared:	Notes:	<h1>TENSILITY</h1> tel 1.541.323.3228 800 877.670.7118 fax 1.541.323.4202 web tensility.com
A	8/7/2018	Initial release	AG <small>Digitally signed by AG Date: 2018.12.10 14:41:16 -08'00'</small>	RoHS compliant	
A1	12/10/2018	Added PCB Layout	Verified: AW <small>Digitally signed by AW Date: 2018.12.11 09:34:51 -08'00'</small>	Function test: no open, no short circuit, no intermittent	Size: Part number: A 54-00103
			Dimensions are in millimeters. Tolerances: X: ± 0.3 mm X.X: ± 0.1 mm X.XX: ± 0.05 mm	Description: Connector, 3 pin M5 socket, 5xL13.7mm, gold plated, panel mount, PCB, IP67	Scale: 3:1 Sheet 1 of 1