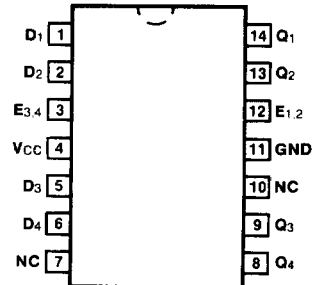


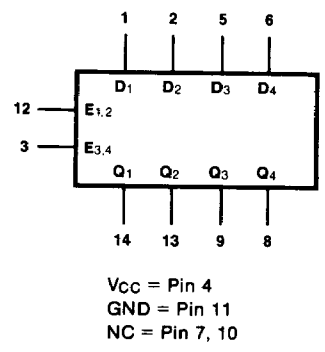
✓ 54/7477 011134  
**QUAD D-TYPE LATCH**

**CONNECTION DIAGRAM**  
 PINOUT A



**DESCRIPTION** — The '77 contains four D-type latches used for temporary storage. Each latch shares an Enable input with one other latch. When the Enable input is HIGH, a latch is transparent, i.e., the Q output follows the D input each time it changes. When the Enable goes LOW, the information (that was present at the D input when the transition occurred) is retained at the Q output. For Truth Table, specifications, and logic diagrams, refer to the '75 data sheet, but note that  $\bar{Q}$  is not available on the '77.

**LOGIC SYMBOL**



**ORDERING CODE:** See Section 9

PKGS	PIN OUT	COMMERCIAL GRADE	MILITARY GRADE	PKG TYPE
		Vcc = +5.0 V ±5%, TA = 0°C to +70°C	Vcc = +5.0 V ±10%, TA = -55°C to +125°C	
Plastic DIP (P)	A	7477PC		9A
Ceramic DIP (D)	A	7477DC	5477DM	6A
Flatpak (F)	A	7477FC	5477FM	3I

**INPUT LOADING/FAN-OUT:** See Section 3 for U.L. definitions

PIN NAMES	DESCRIPTION	54/74 (U.L.) HIGH/LOW
D1 — D4	Data Inputs	2.0/2.0
E1,2	Enable Input, Latches 1, 2	4.0/4.0
E3,4	Enable Input, Latches 3, 4	4.0/4.0
Q1 — Q4	Latch Outputs	10/10