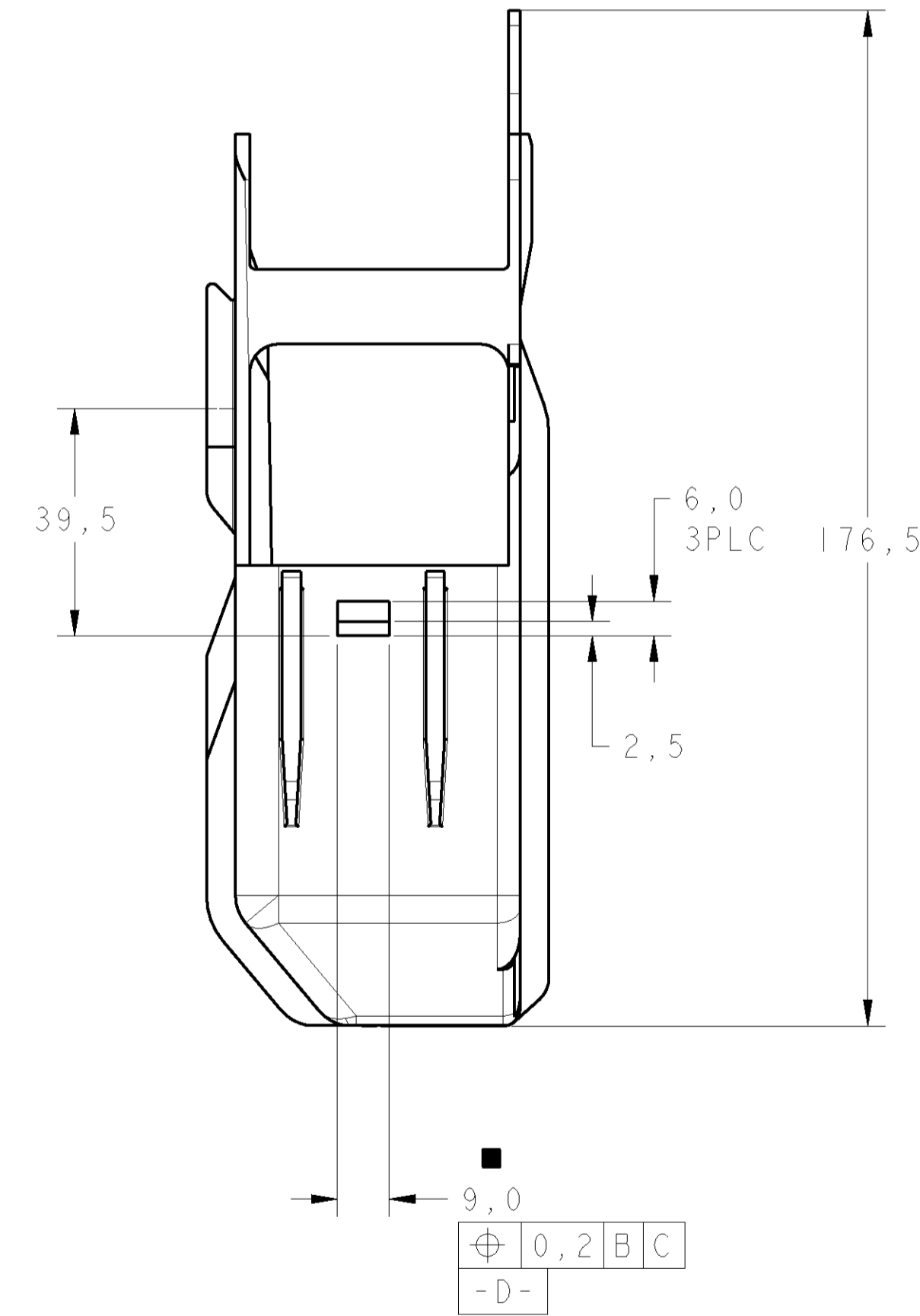
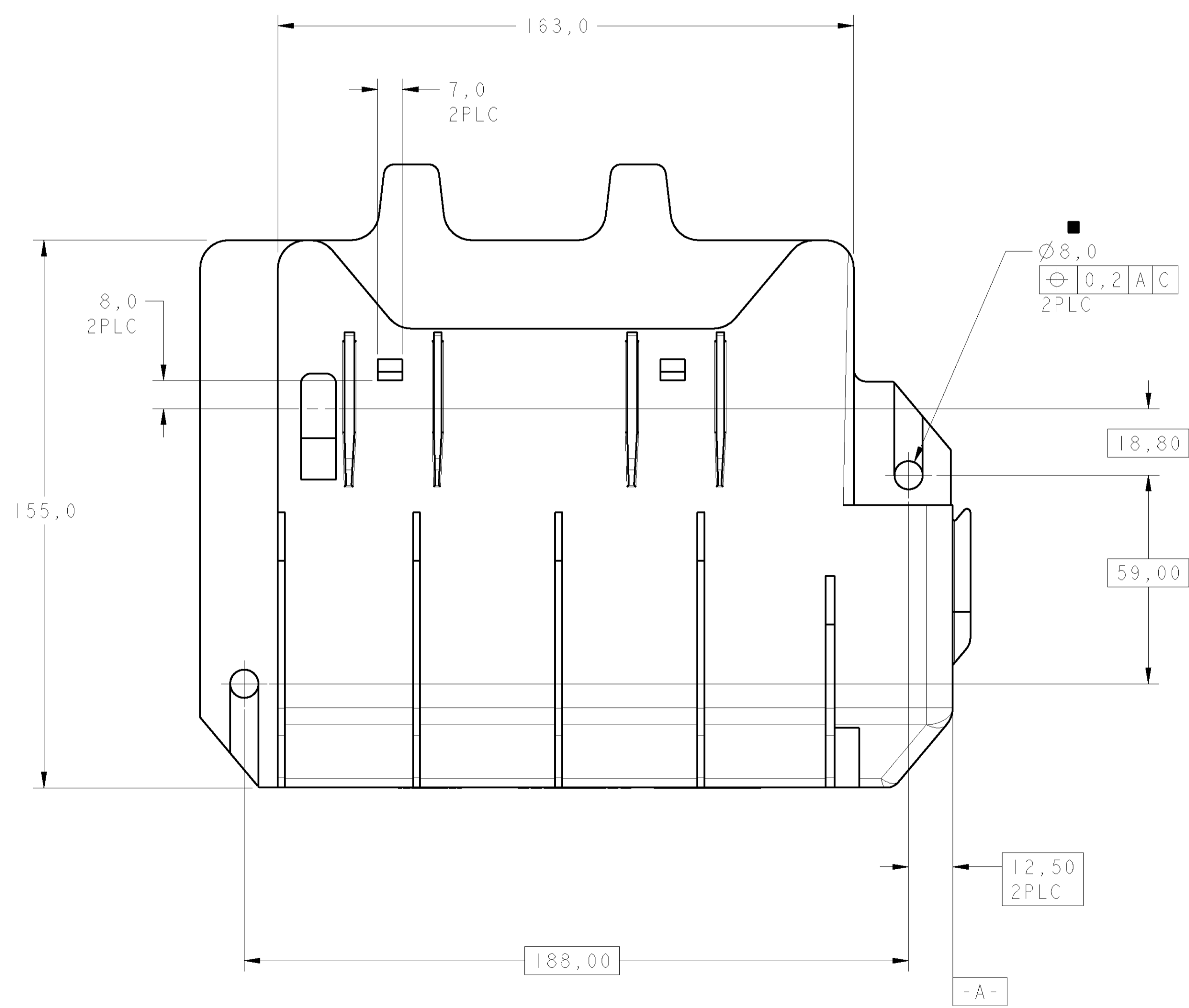
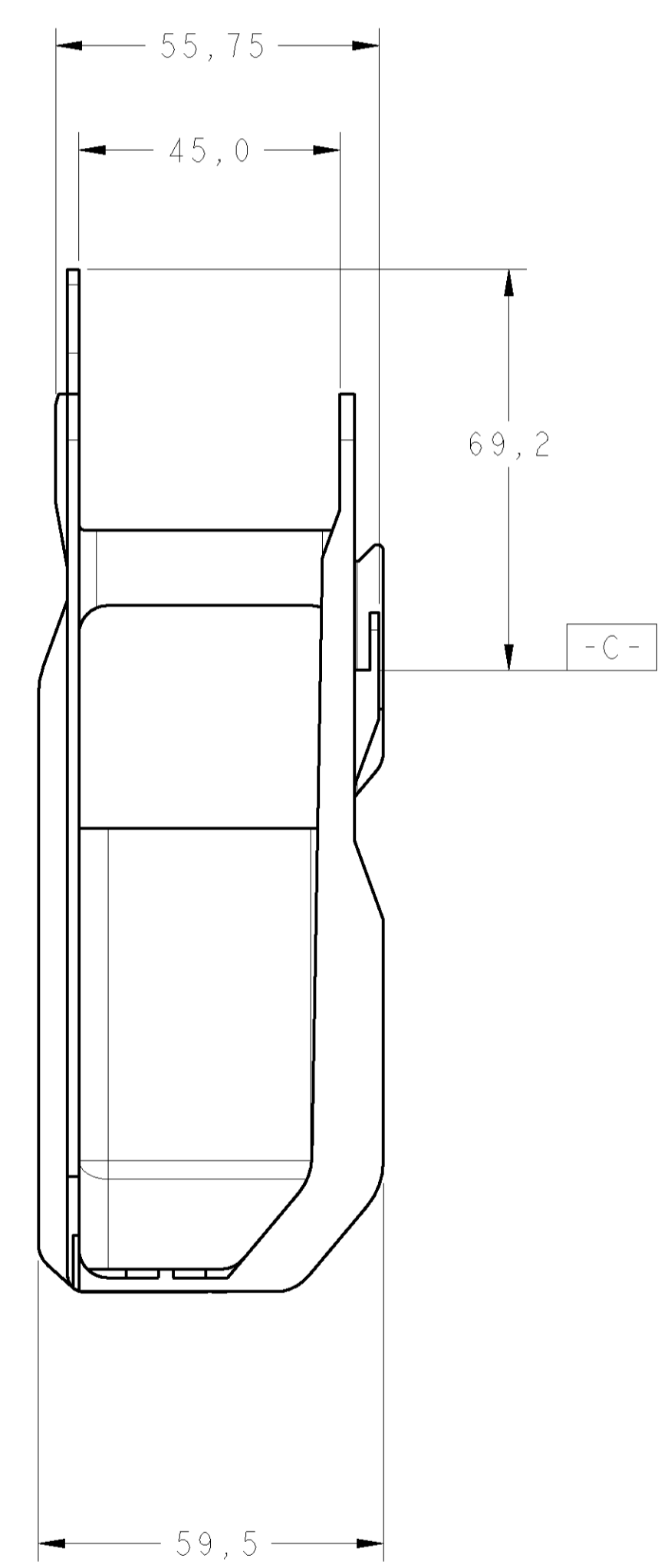
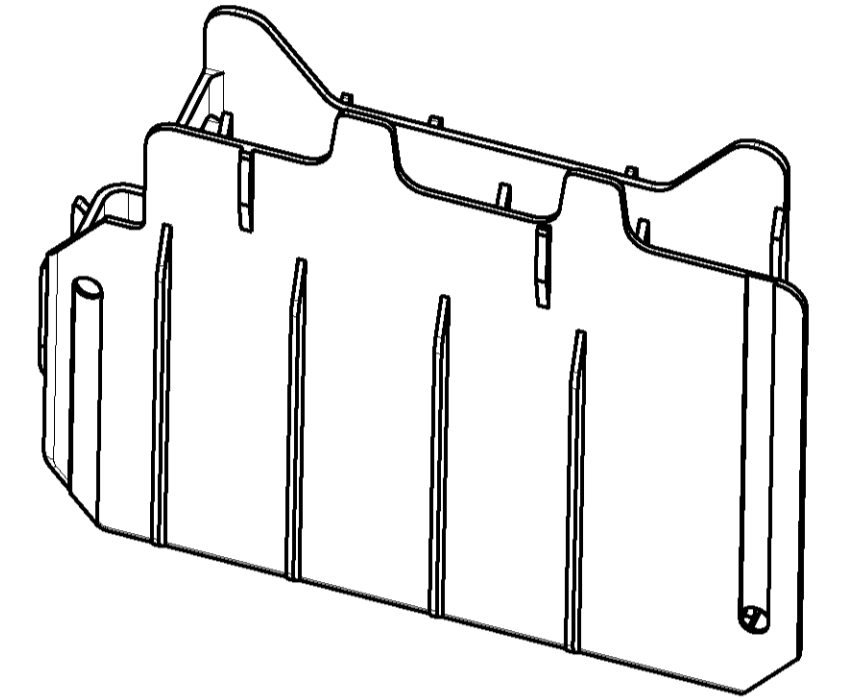
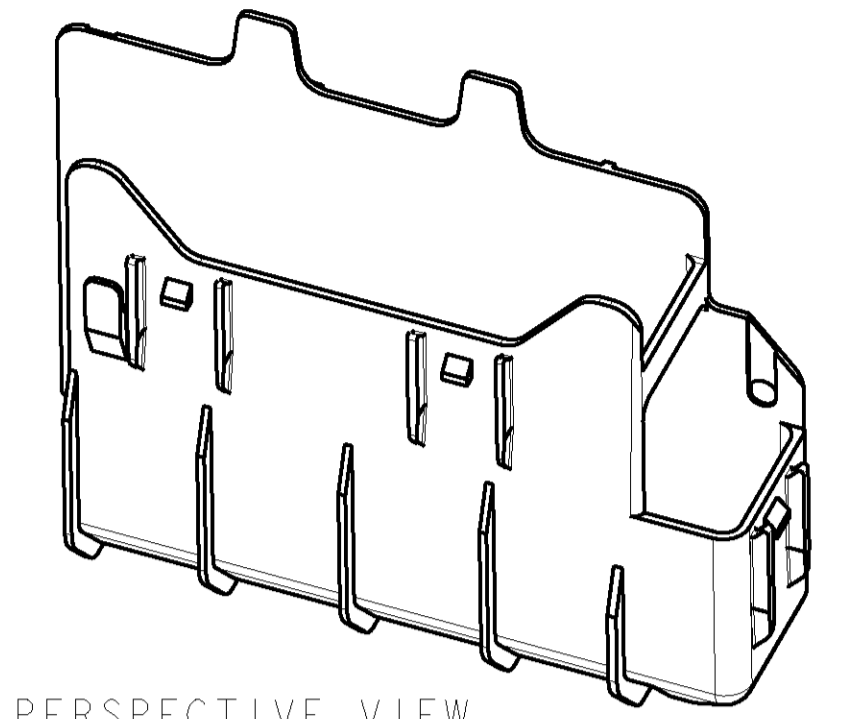
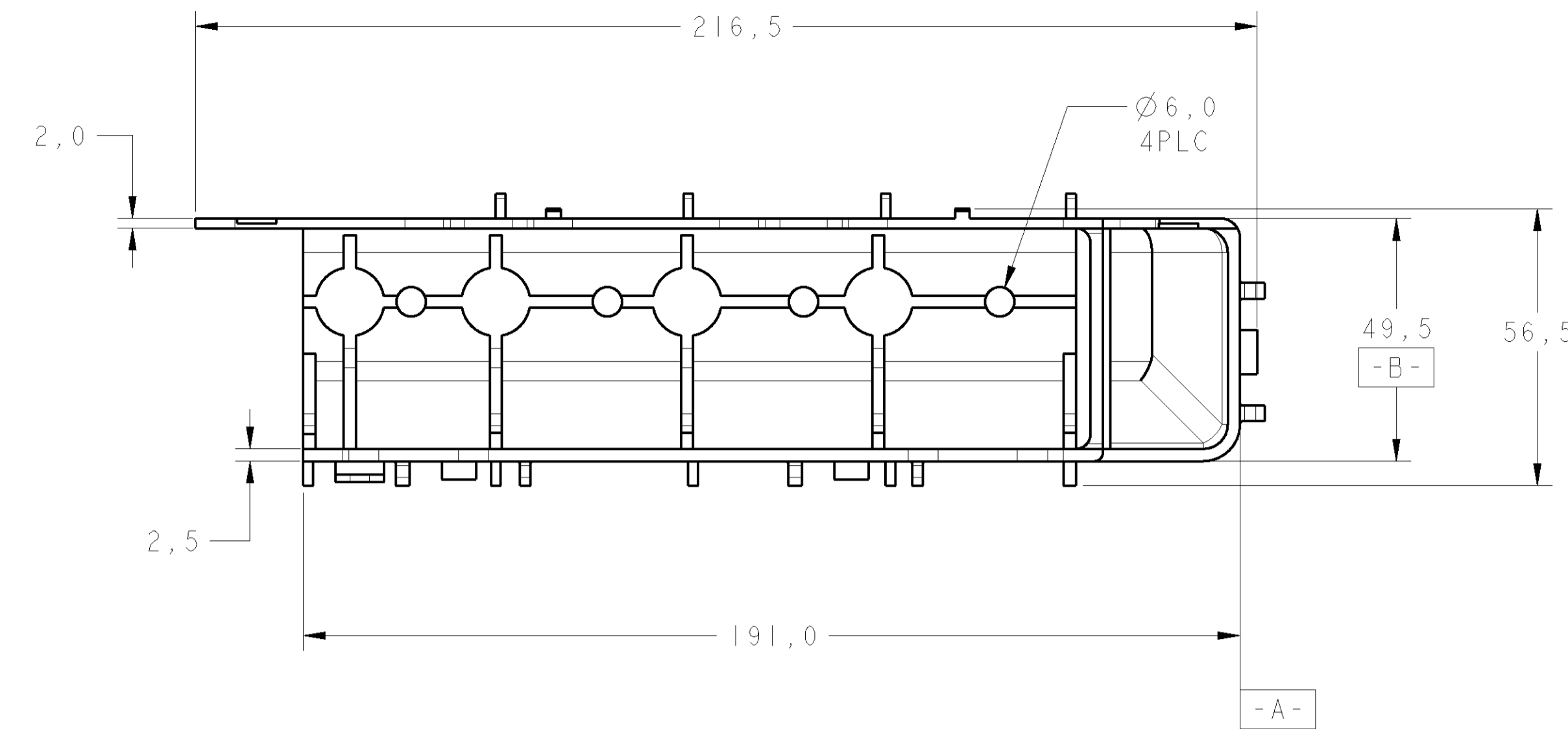


MANUFACTURING CRITICAL POINT  
 SPECIFICATION CLASSIFICATION  
 CRITICAL MAJOR  
 MINOR

REVISIONS				
REV	LTN	DESCRIPTION	DATE	APV
A		CHANGE STATUS ECO-08-011249	15MAY2008	NCL MBG

CAD  
 Pre-2  
 DO NOT REVISE  
 EXCEPT BY CAD



GRAVAÇÕES
LOGOTIPO TE
TE LOGO
CÓDIGO PAIS PRODUTOR
MANUFACTURER COUNTRY CODE
NOMENCLATURA MATERIAL
MATERIAL NOMENCLATURE
NÚMERO COMPONENTE TE
TE COMPONENT NUMBER
LOGOTIPO CLIENTE
CUSTOMER LOGO
9151487499
REV. H 30/09/03
NÚMERO PEÇA CLIENTE
CUSTOMER PART NUMBER

FINISH	MATERIAL	PART NUMBER
PRETO/BLACK	PP +20XTD	1599895-1

DWN	E. J. G. SILVA	13APR2006	TYCO ELECTRONICS Brasil LTDA. São Paulo, Brasil
CHK	P. L. FARIA	13APR2006	
APV	M. MIRANDA	13APR2006	
NAME	NAME		
PRODUCT SPEC	NA		CALCULATOR BOX
APPLICATION SPEC	NA		
WEIGHT	-	-	RESTRICTED TO
CUSTOMER DRAWING	SCALE	SHEET	REV

DIMENSIONS:	TOLERANCES UNLESS OTHERWISE SPECIFIED:
mm	0 PLC $\pm$
	1 PLC $\pm 0,3$
	2 PLC $\pm 0,2$
	3 PLC $\pm$
	4 PLC $\pm$
	ANGLES $\pm 1'$
MATERIAL	FINISH
SEE TABLE	SEE TABLE