

# CIRCUIT BOARD HARDWARE

A wide range of plastic spacers, metal spacers and standoffs for use in Printed Circuit Boards (PCBs) to aid the support, spacing, locking, and guiding of the board within electronic applications. The majority of support posts and spacers are designed to be installed manually by hand and do not require automated assembly equipment. Nylon and metal spacers are available, with different mounting types, like adhesives, screws, rivets, snap-lock and snap-fit. Standoffs and spacers are available in a wide array of materials, e.g. UV- and heat stabilized polyamide.

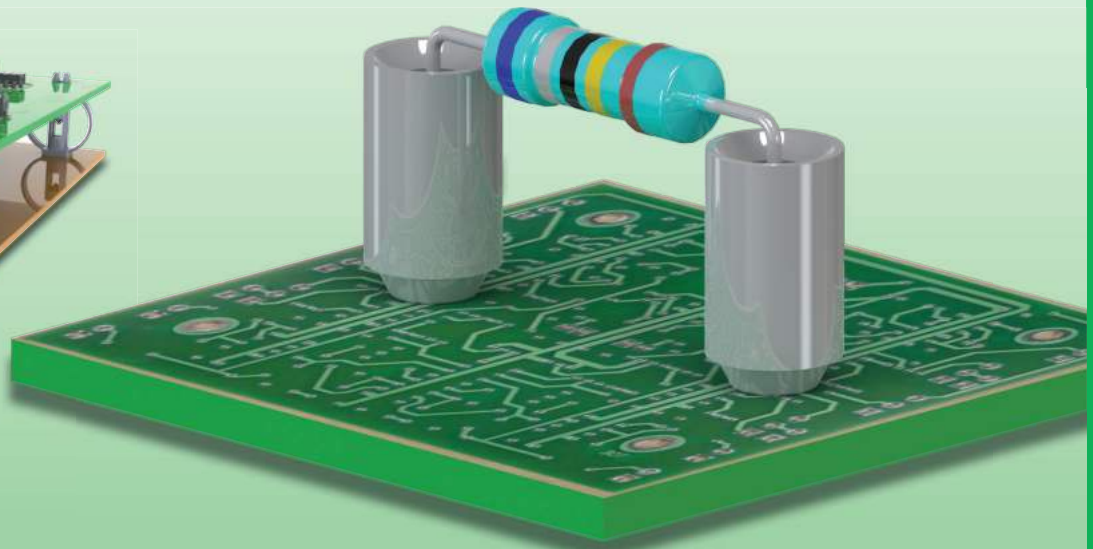
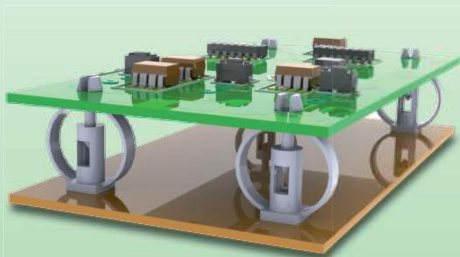
## Terminology

### *Snap-Lock*

A snap-in mount that is pushed through the hole in the panel or chassis, which closes and snaps open on the opposite side to give a mechanical and secure lock. To remove, simply squeeze the locking device of the spacer/support.

### *Snap-Fit*

A snap-in mount that is pushed through a hole in a panel or chassis and deflects on the opposite side to produce a mechanical pressure hold. To remove simply pull or push, no squeezing of the device is required.





# CIRCUIT BOARD HARDWARE

## Dual Locking Spacers

118-132



## Push Spacers

133-135



## Reverse Locking Spacers

136-140



## Specialist Spacers

140-147



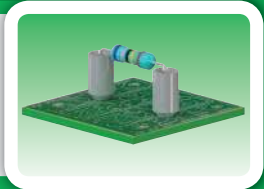
## Threaded / Metal Spacers

147-162



## Insulators

163-165



# DUAL LOCKING SPACERS

## Locking Circuit Board Support

LCBST/CLCBST/LMSP/CBS/LNCBS

Natural

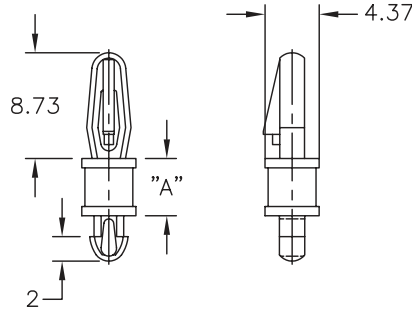


LCBST

Top Hole: Snap-lock:  $3.18 \pm 0.05$

Panel Thickness: 1.57

Type 1



Bottom Hole: Snap-lock:  $2.54 \pm 0.05$

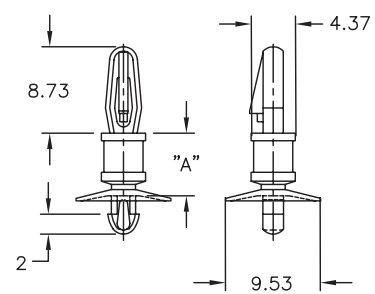
Panel Thickness: 1.63 Max.

CLCBST

Top Hole: Snap-lock:  $3.18 \pm 0.05$

Panel Thickness: 1.57

Type 2



Bottom Hole: Snap-lock:  $2.54 \pm 0.05$

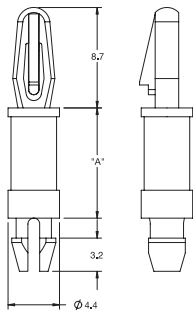
Panel Thickness: 1.57

LMSP

Top Hole: Snap-lock:  $3.18 \pm 0.05$

Panel Thickness: 1.57

Type 3



Bottom Hole: Snap-lock:  $3.18 \pm 0.05$

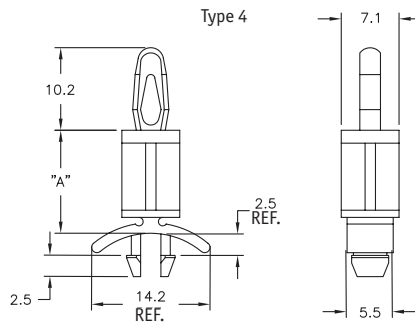
Panel Thickness: 1.57

CBS

Top Hole: Snap-fit:  $4 \pm 0.08$

Panel Thickness: 1.57

Type 4



Bottom Hole: Snap-lock:  $4.75 \pm 0.08$

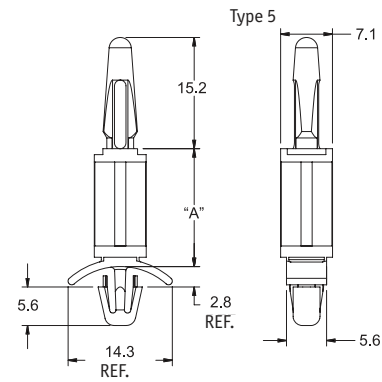
Panel Thickness: 0.79 - 1.98

LNCBS

Top Hole: Snap-fit:  $4 \pm 0.08$

Panel Thickness: 1.57

Type 5



Bottom Hole: Snap-lock:  $4.75 \pm 0.08$

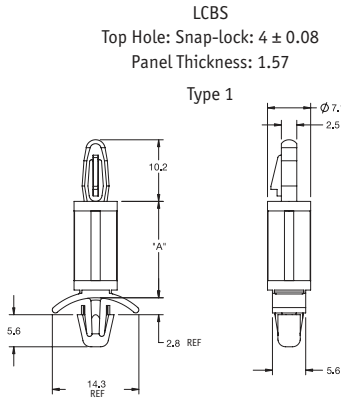
Panel Thickness: 0.79 - 1.98

Part Number							"A" Standoff Height	Std Pack Qty
LCBST (Type 1)	CLCBST (Type 2)	LMSP (Type 3)		CBS (Type 4)		LNCBS (Type 5)		
UL94 V2 Nylon 6/6, RMS-01	UL94 V2 Nylon 6/6, RMS-01	UL94 V2 Nylon 6/6 RMS-01	UL94 V0 Nylon 6/6, RMS-19	UL94 V2 Nylon 6/6, RMS-01	UL94 V0 Nylon 6/6, RMS-19	UL94 V2 Nylon 6/6, RMS-01		
LCBST-2-01	CLCBST-2-01	LMSP-2-01	LMSP-2-19	-	-	-	3.2	
LCBST-3-01	CLCBST-3-01	LMSP-3-01	LMSP-3-19	CBS-3-01	CBS-3-19	LNCBS-3-01	4.8	
LCBST-4-01	CLCBST-4-01	LMSP-4-01	LMSP-4-19	CBS-4-01	CBS-4-19	LNCBS-4-01	6.4	
LCBST-5-01	CLCBST-5-01	LMSP-5-01	LMSP-5-19	-	-	-	7.9	
LCBST-6-01	CLCBST-6-01	LMSP-6-01	LMSP-6-19	CBS-6-01	CBS-6-19	LNCBS-6-01	9.5	
LCBST-7-01	CLCBST-7-01	LMSP-7-01	LMSP-7-19	-	-	-	11.1	
LCBST-8-01	CLCBST-8-01	LMSP-8-01	LMSP-8-19	CBS-8-01	CBS-8-19	LNCBS-8-01	12.7	
LCBST-9-01	CLCBST-9-01	LMSP-9-01	LMSP-9-19	-	-	-	14.3	
LCBST-10-01	CLCBST-10-01	LMSP-10-01	LMSP-10-19	CBS-10-01	CBS-10-19	LNCBS-10-01	15.9	
-	-	LMSP-12-01	LMSP-12-19	CBS-12-01	CBS-12-19	LNCBS-12-01	19.1	
-	-	LMSP-14-01	LMSP-14-19	CBS-14-01	CBS-14-19	LNCBS-14-01	22.2	

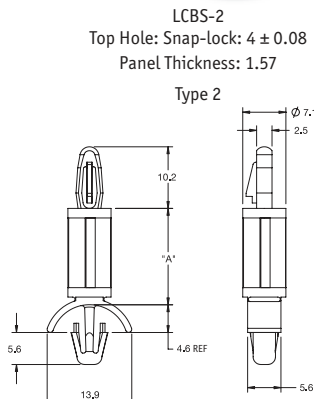
## Locking Circuit Board Support

LCBS

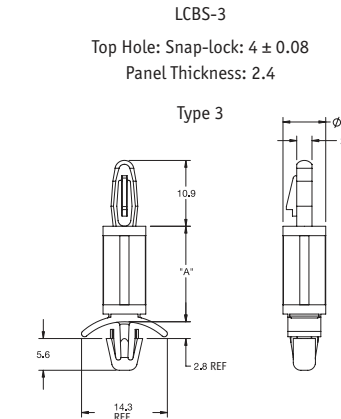
Natural



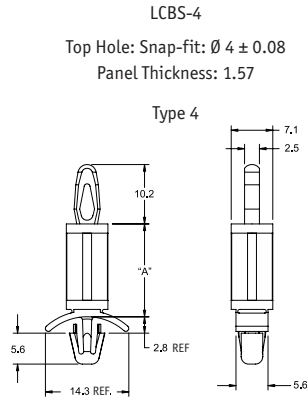
Bottom Hole: Snap-lock:  $4.75 \pm 0.08$   
Panel Thickness: 0.79 - 1.98



Bottom Hole: Snap-lock:  $4.75 \pm 0.08$   
Panel Thickness: 1.98 - 3.58



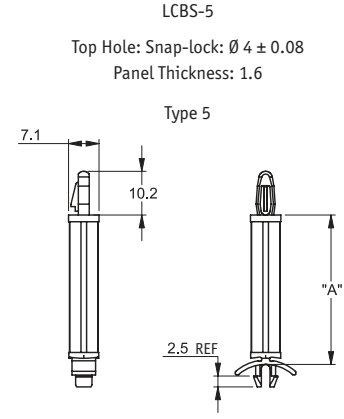
Bottom Hole: Snap-lock:  $4.75 \pm 0.08$   
Panel Thickness: 0.79 - 1.98



Bottom Hole: Snap-lock:  $\emptyset 4.75 \pm 0.08$   
Panel Thickness: 0.79 - 1.98



Can't find the size you are looking for? Contact us!



Bottom Hole: Snap-lock:  $\emptyset 4.8 \pm 0.08$   
Panel Thickness: 0.76 - 2

Part Number										"A" Standoff Height 4.8	Std Pack Qty
LCBS (Type)	LCBS-2 (Type 2)	LCBS-3 (Type 3)		LCBS-4 (Type 4)		LCBS-5 (Type 5)					
UL94 V2 Nylon 6/6, RMS-01	UL94 V0 Nylon 6/6, RMS-19	UL94 V2 Nylon 6/6, RMS-01	UL94 V0 Nylon 6/6, RMS-19	UL94 V2 Nylon 6/6, RMS-01	UL94 V0 Nylon 6/6, RMS-19	UL94 V2 Nylon 6/6, RMS-01	UL94 V0 Nylon 6/6, RMS-19	UL94 V2 Nylon 6/6, RMS-01	UL94 V0 Nylon 6/6, RMS-19		
LCBS-3-01	LCBS-3-19	LCBS-2-3-01	LCBS-2-3-19	LCBS-3-3-01	LCBS-3-3-19	LCBS-4-3-01	LCBS-4-3-19	LCBS-5-3-01	LCBS-5-3-19	6	1000
LCBS-6M-01	LCBS-6M-19	-	-	-	-	-	-	-	-	6	1000
LCBS-4-01	LCBS-4-19	LCBS-2-4-01	LCBS-2-4-19	LCBS-3-4-01	LCBS-3-4-19	LCBS-4-4-01	LCBS-4-4-19	LCBS-5-4-01	LCBS-5-4-19	6.4	1000
LCBS-5-01	LCBS-5-19	LCBS-2-5-01	LCBS-2-5-19	LCBS-3-5-01	LCBS-3-5-19	LCBS-4-5-01	LCBS-4-5-19	LCBS-5-5-01	LCBS-5-5-19	7.9	1000
LCBS-8M-01	LCBS-8M-19	-	-	-	-	-	-	-	-	8	1000
LCBS-6-01	LCBS-6-19	LCBS-2-6-01	LCBS-2-6-19	LCBS-3-6-01	LCBS-3-6-19	LCBS-4-6-01	LCBS-4-6-19	LCBS-5-6-01	LCBS-5-6-19	9.5	1000
LCBS-10M-01	LCBS-10M-19	-	-	-	-	-	-	-	-	10	1000
LCBS-7-01	LCBS-7-19	LCBS-2-7-01	LCBS-2-7-19	LCBS-3-7-01	LCBS-3-7-19	LCBS-4-7-01	LCBS-4-7-19	LCBS-5-7-01	LCBS-5-7-19	11.1	1000
LCBS-12M-01	LCBS-12M-19	-	-	-	-	-	-	-	-	12	1000
LCBS-8-01	LCBS-8-19	LCBS-2-8-01	LCBS-2-8-19	LCBS-3-8-01	LCBS-3-8-19	LCBS-4-8-01	LCBS-4-8-19	LCBS-5-8-01	LCBS-5-8-19	12.7	1000
LCBS-14M-01	LCBS-14M-19	-	-	-	-	-	-	-	-	14	1000
LCBS-10-01	LCBS-10-19	LCBS-2-10-01	LCBS-2-10-19	LCBS-3-10-01	LCBS-3-10-19	LCBS-4-10-01	LCBS-4-10-19	LCBS-5-10-01	LCBS-5-10-19	15.9	1000
LCBS-16M-01	LCBS-16M-19	-	-	-	-	-	-	-	-	16	1000
LCBS-12-01	LCBS-12-19	LCBS-2-12-01	LCBS-2-12-19	LCBS-3-12-01	LCBS-3-12-19	LCBS-4-12-01	LCBS-4-12-19	LCBS-5-12-01	LCBS-5-12-19	19.1	1000
LCBS-14-01	LCBS-14-19	LCBS-2-14-01	LCBS-2-14-19	LCBS-3-14-01	LCBS-3-14-19	LCBS-4-14-01	LCBS-4-14-19	LCBS-5-14-01	LCBS-5-14-19	22.2	1000
LCBS-16-01	LCBS-16-19	LCBS-2-16-01	LCBS-2-16-19	LCBS-3-16-01	LCBS-3-16-19	LCBS-4-16-01	LCBS-4-16-19	LCBS-5-16-01	LCBS-5-16-19	25.4	1000
LCBS-18-01	LCBS-18-19	LCBS-2-18-01	LCBS-2-18-19	LCBS-3-18-01	LCBS-3-18-19	LCBS-4-18-01	LCBS-4-18-19	LCBS-5-18-01	LCBS-5-18-19	28.6	1000
LCBS-20-01	LCBS-20-19	LCBS-2-20-01	LCBS-2-20-19	LCBS-3-20-01	LCBS-3-20-19	LCBS-4-20-01	LCBS-4-20-19	LCBS-5-20-01	LCBS-5-20-19	31.7	1000
LCBS-22-01	LCBS-22-19	LCBS-2-22-01	LCBS-2-22-19	LCBS-3-22-01	LCBS-3-22-19	LCBS-4-22-01	LCBS-4-22-19	LCBS-5-22-01	LCBS-5-22-19	34.9	1000

# DUAL LOCKING SPACERS

## Locking Circuit Board Support *CONTINUED*

### LCBS

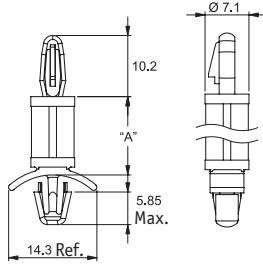
- Type 10 - Max Temperature 200°C



LCBS-6

Top Hole: Snap-lock:  $\varnothing 4$   
Panel Thickness: 3.2

Type 6

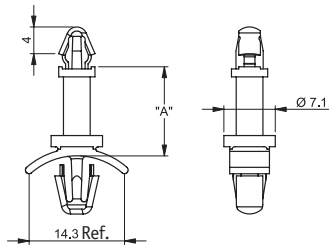


Bottom Hole:  $\varnothing 4.8$   
Panel Thickness: 2 - 3.2

LCBS-7

Top Hole: Snap-lock:  $\varnothing 4 \pm 0.08$   
Panel Thickness: 1.6

Type 7

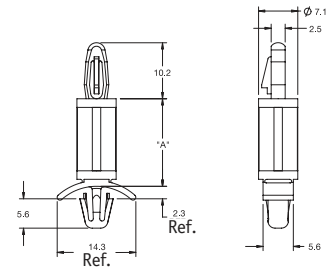


Bottom Hole Snap-lock:  $\varnothing 4.75 \pm 0.08$   
Panel Thickness: 0.8 - 2

LCBS-8

Top Hole: Snap-lock:  $4 \pm 0.08$   
Panel Thickness: 1.57

Type 8

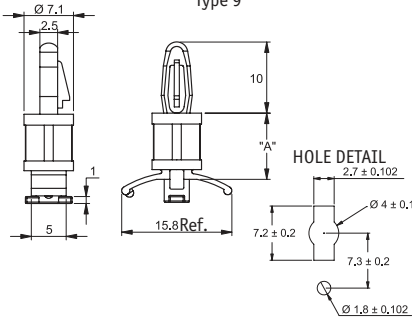


Bottom Hole: Snap-lock:  $4.75 \pm 0.08$   
Panel Thickness: 0.2 - 1.4

LCBS-9

Top Hole: Snap-lock:  $\varnothing 4 \pm 0.08$   
Panel Thickness: 1.6

Type 9

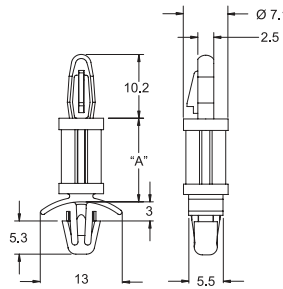


Bottom Hole: See Hole Detail  
Panel Thickness: 0.8 - 1.6

LCBS-HT

Top Hole: Snap-lock:  $\varnothing 4 \pm 0.08$   
Panel Thickness: 1.57

Type 10

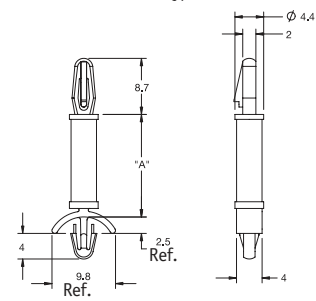


Bottom Hole: Snap-lock:  $4.75 \pm 0.08$   
Panel Thickness: 0.79 - 1.98

LCBSM

Top Hole: Snap-lock:  $3.18 \pm 0.05$   
Panel Thickness: 1.57

Type 11



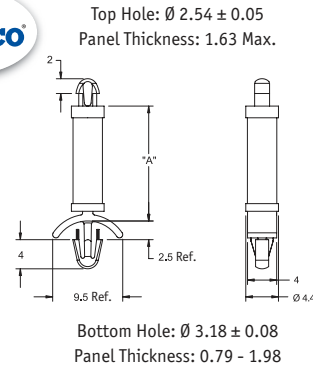
Bottom Hole: Snap-lock:  $3.18 \pm 0.05$   
Panel Thickness: 0.79 - 1.98

LCBS-6 (Type 6)		LCBS-7 (Type 7)		LCBS-8 (Type 8)		LCBS-9 (Type 9)		LCBS-HT (Type 10)	LCBSM (Type 11)	"A" Standoff Height	Std Pack Qty
Natural UL94 V2 Nylon 6/6, RMS-01	Natural UL94 V0 Nylon 6/6, RMS-19	Natural UL94 V2 Nylon 6/6, RMS-01	Natural UL94 V0 Nylon 6/6, RMS-19	Natural UL94 V2 Nylon 6/6, RMS-01	Natural UL94 V0 Nylon 6/6, RMS-19	Natural UL94 V2 Nylon 6/6, RMS-01	Natural UL94 V0 Nylon 6/6, RMS-19	Black UL94 V0 PEI, RMS-162	Natural UL94 V2 Nylon 6/6, RMS-01		
-	-	-	-	-	-	-	-	-	LCBSM-2-01	3.2	1000
LCBS-6-3-01	LCBS-6-3-19	LCBS-7-3-01	LCBS-7-3-19	LCBS-8-3-01	LCBS-8-3-19	LCBS-9-3-01	LCBS-9-3-19	LCBS-3-HT	LCBSM-3-01	4.8	1000
LCBS-6-4-01	LCBS-6-4-19	LCBS-7-4-01	LCBS-7-4-19	LCBS-8-4-01	LCBS-8-4-19	LCBS-9-4-01	LCBS-9-4-19	LCBS-4-HT	LCBSM-4-01	6.4	1000
LCBS-6-5-01	LCBS-6-5-19	LCBS-7-5-01	LCBS-7-5-19	LCBS-8-5-01	LCBS-8-5-19	LCBS-9-5-01	LCBS-9-5-19	LCBS-5-HT	LCBSM-5-01	7.9	1000
LCBS-6-6-01	LCBS-6-6-19	LCBS-7-6-01	LCBS-7-6-19	LCBS-8-6-01	LCBS-8-6-19	LCBS-9-6-01	LCBS-9-6-19	LCBS-6-HT	LCBSM-6-01	9.5	1000
LCBS-6-7-01	LCBS-6-7-19	LCBS-7-7-01	LCBS-7-7-19	LCBS-8-7-01	LCBS-8-7-19	LCBS-9-7-01	LCBS-9-7-19	LCBS-7-HT	LCBSM-7-01	11.1	1000
LCBS-6-8-01	LCBS-6-8-19	LCBS-7-8-01	LCBS-7-8-19	LCBS-8-8-01	LCBS-8-8-19	LCBS-9-8-01	LCBS-9-8-19	LCBS-8-HT	LCBSM-8-01	12.7	1000
-	-	-	-	-	-	-	-	-	LCBSM-9-01	14.3	1000
LCBS-6-10-01	LCBS-6-10-19	LCBS-7-10-01	LCBS-7-10-19	LCBS-8-10-01	LCBS-8-10-19	LCBS-9-10-01	LCBS-9-10-19	LCBS-10-HT	LCBSM-10-01	15.9	1000
LCBS-6-12-01	LCBS-6-12-19	LCBS-7-12-01	LCBS-7-12-19	LCBS-8-12-01	LCBS-8-12-19	LCBS-9-12-01	LCBS-9-12-19	LCBS-12-HT	-	19.1	1000
LCBS-6-14-01	LCBS-6-14-19	LCBS-7-14-01	LCBS-7-14-19	LCBS-8-14-01	LCBS-8-14-19	LCBS-9-14-01	LCBS-9-14-19	LCBS-14-HT	-	22.2	1000
LCBS-6-16-01	LCBS-6-16-19	LCBS-7-16-01	LCBS-7-16-19	LCBS-8-16-01	LCBS-8-16-19	LCBS-9-16-01	LCBS-9-16-19	LCBS-16-HT	-	25.4	1000
LCBS-6-18-01	LCBS-6-18-19	LCBS-7-18-01	LCBS-7-18-19	LCBS-8-18-01	LCBS-8-18-19	LCBS-9-18-01	LCBS-9-18-19	LCBS-18-HT	-	28.6	1000
LCBS-6-20-01	LCBS-6-20-19	LCBS-7-20-01	LCBS-7-20-19	LCBS-8-20-01	LCBS-8-20-19	LCBS-9-20-01	LCBS-9-20-19	LCBS-20-HT	-	31.7	1000
LCBS-6-22-01	LCBS-6-22-19	LCBS-7-22-01	LCBS-7-22-19	LCBS-8-22-01	LCBS-8-22-19	LCBS-9-22-01	LCBS-9-22-19	LCBS-22-HT	-	34.9	1000

## Dual Locking Circuit Board Support

### DLCBSAT

Part Number		"A" Standoff Height	Std Pack Qty
Natural, UL94 V-2 Nylon 6/6, RMS-01	Natural, UL94 V-0 Nylon 6/6, RMS-19		
DLCBSAT-2-01	DLCBSAT-2-19	3.2	1000
DLCBSAT-3-01	DLCBSAT-3-19	4.8	1000
DLCBSAT-4-01	DLCBSAT-4-19	6.4	1000
DLCBSAT-5-01	DLCBSAT-5-19	7.9	1000
DLCBSAT-6-01	DLCBSAT-6-19	9.5	1000
DLCBSAT-7-01	DLCBSAT-7-19	11.1	1000
DLCBSAT-8-01	DLCBSAT-8-19	12.7	1000
DLCBSAT-9-01	DLCBSAT-9-19	14.3	1000
DLCBSAT-10-01	DLCBSAT-10-19	15.9	1000



## Snap Rivet Locking Circuit Board Support

### SRLAHS

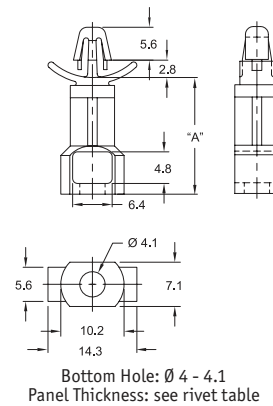
#### Natural

Rivets	
Use Rivet Number	For Panel Thickness
SR-4050	0.7-1.6
SR-4060	1.5-2.7
SR-4070	2.7-3.7
SR-4080	3.7-4.7
SR-4090	4.7-5.7
SR-4100	5.7-6.7
SR-4120	7.2-8.7

Part Number		"A"	Std Pack Qty
UL94 V-2 Nylon 6/6, RMS-19	UL94 V-0 Nylon 6/6, RMS-19		
SRLAHS-7-01	SRLAHS-7-19	11.1	1000
SRLAHS-8-01	SRLAHS-8-19	12.7	1000
SRLAHS-10-01	SRLAHS-10-19	15.9	1000
SRLAHS-12-01	SRLAHS-12-19	19.1	1000
SRLAHS-14-01	SRLAHS-14-19	22.2	1000
SRLAHS-16-01	SRLAHS-16-19	25.4	1000



Top Hole: Snap-lock:  $\varnothing 4.75 \pm 0.08$   
Panel Thickness: 0.79- 1.98



## Snap Rivet Locking Circuit Board Support

### SRLCBS

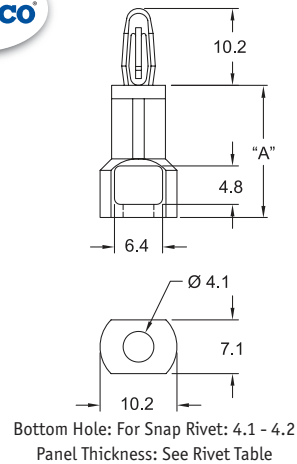
#### Natural Nylon 6/6, RMS-01

Part Number	"A" Standoff Height	Std Pack Qty
SRLCBS-6-01	9.5	1000
SRLCBS-7-01	11.1	1000
SRLCBS-8-01	12.7	1000
SRLCBS-10-01	15.9	1000
SRLCBS-12-01	19.1	1000
SRLCBS-14-01	22.2	1000
SRLCBS-16-01	25.4	1000

Rivets	
Use Rivets Part Number	For Panel Thickness
SR-4050	0.7-1.6
SR-4060	1.5-2.7
SR-4070	2.7-3.7
SR-4080	3.7-4.7
SR-4090	4.7-5.7
SR-4100	5.7-6.7
SR-4120	7.2-8.7



Top Hole: Snap-lock:  $4 \pm 0.08$   
Panel Thickness: 1.57



# DUAL LOCKING SPACERS

## Circuit Board Support on Adhesive Base

CBSB/CBSBT/LCBSB/LCBSBM

Natural Nylon 6/6 RMS-01

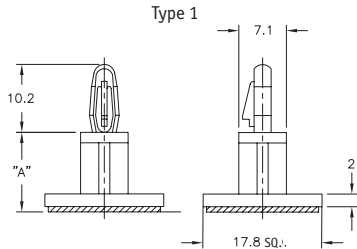
- Adhesive Backing: RMS-24, double sided adhesive tape with release tab



Part Number				"A" Standoff Height	Std Pack Qty
LCBSB (Type 1)	CBSB (Type 2)	LCBSBM (Type 3)	CBSBT (Type 4)	4.8	1000
LCBSB-3-01A2-RT	CBSB-3-01A2-RT	LCBSBM-3-01A2	CBSBT-3-01A2-RT	6.4	1000
LCBSB-4-01A2-RT	CBSB-4-01A2-RT	LCBSBM-4-01A2	CBSBT-4-01A2-RT	7.9	1000
-	-	LCBSBM-5-01A2	CBSBT-5-01A2-RT	9.5	1000
LCBSB-6-01A2-RT	CBSB-6-01A2-RT	LCBSBM-6-01A2	CBSBT-6-01A2-RT	11.1	1000
-	-	LCBSBM-7-01A2	CBSBT-7-01A2-RT	12.7	1000
LCBSB-8-01A2-RT	CBSB-8-01A2-RT	LCBSBM-8-01A2	CBSBT-8-01A2-RT	14.3	1000
LCBSB-9-01A2-RT	CBSB-9-01A2-RT	LCBSBM-9-01A2	CBSBT-9-01A2-RT	15.9	1000
LCBSB-10-01A2	CBSB-10-01A2-RT	LCBSBM-10-01A2	CBSBT-10-01A2	19.1	1000
LCBSB-12-01A2	CBSB-12-01A2-RT	-	-	22.2	1000
LCBSB-14-01A2	CBSB-14-01A2-RT	-	-	25.4	1000
LCBSB-16-01A2	CBSB-16-01A2-RT	-	-	28.6	1000
LCBSB-18-01A2	CBSB-18-01A2-RT	-	-		

LCBSB

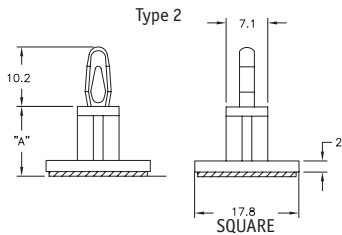
Top Hole: Snap-lock:  $4 \pm 0.08$   
Panel Thickness: 1.57



LCBSB (Type 1)	"A" Standoff Height	Std Pack Qty
LCBSB-6M-01A2	6	1000
LCBSB-8M-01A2	8	1000
LCBSB-10M-01A2	10	1000
LCBSB-12M-01A2	12	1000
LCBSB-14M-01A2	14	1000
LCBSB-16M-01A2	16	1000

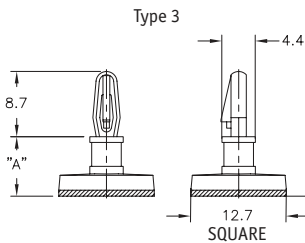
CBSB

Top Hole: Snap-fit:  $4 \pm 0.08$   
Panel Thickness: 1.57



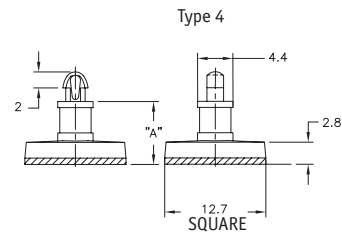
LCBSBM

Top Hole: Snap-lock:  $3.18 \pm 0.05$   
Panel Thickness: 1.57



CBSBT

Top Hole: Snap-lock:  $2.54 \pm 0.05$   
Panel Thickness: 1.63 Max.



## Side Mount Circuit Board Support

SMLCBS

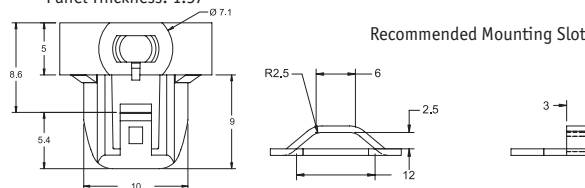
Natural UL94 V-2 Nylon 6/6, RMS-01



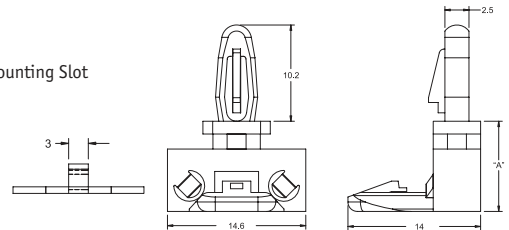
Part Number	"A" Standoff Height	Std Pack Qty
SMLCBS-5-01	7.9	1000
SMLCBS-6-01	9.5	1000
SMLCBS-7-01	11.1	1000
SMLCBS-8-01	12.7	1000



Top Hole: Snap-Lock  $\varnothing 3.96 \pm 0.08$   
Panel Thickness: 1.57

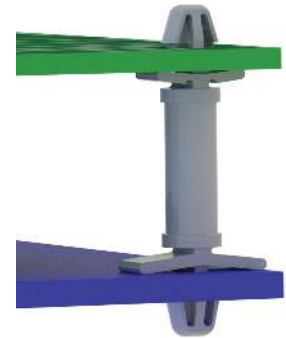


Recommended Mounting Slot



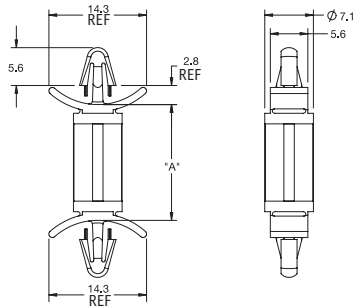
## Dual Locking Circuit Board Support

DLCBS  
Natural



DLCBS Type 1

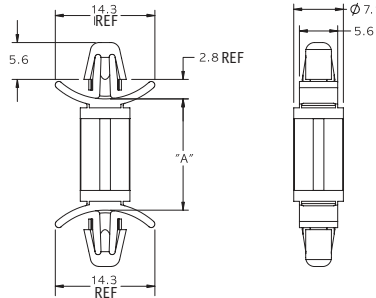
Top Hole: Snap-lock:  $4 \pm 0.08$   
Panel Thickness: 0.79 - 1.98



Bottom Hole: Snap-lock:  $4 \pm 0.08$   
Panel Thickness: 0.79 - 1.98

DLCBS2 Type 2

Top Hole: Snap-lock:  $4.75 \pm 0.08$   
Panel Thickness: 0.79 - 1.98

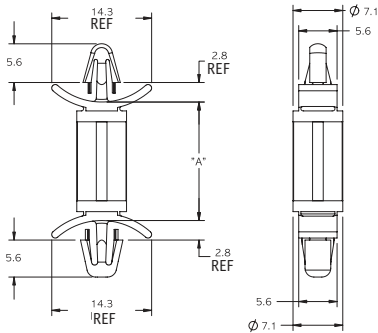


Bottom Hole: Snap-lock:  $4.75 \pm 0.08$   
Panel Thickness: 0.79 - 1.98

Can't find the size you are looking for? Contact us!

DLCBS3 Type 3

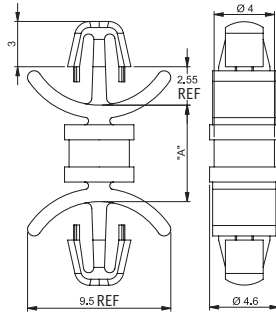
Top Hole: Snap-lock:  $4 \pm 0.08$   
Panel Thickness: 0.79 - 1.98



Bottom Hole: Snap-lock:  $4.75 \pm 0.08$   
Panel Thickness: 0.79 - 1.98

DLCBS5 Type 4

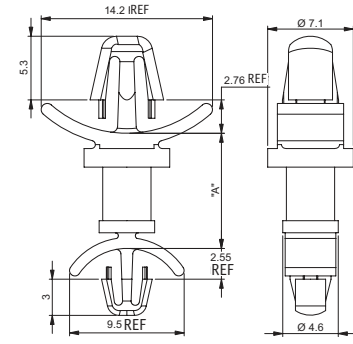
Top Hole: Snap-Lock  $\emptyset 3.5 \pm 0.08$   
Panel Thickness: 0.8-2



Bottom Hole: Snap-Lock  $\emptyset 3.5 \pm 0.08$   
Panel Thickness: 0.8-2

DLCBS6 Type 5

Top Hole: Snap-Lock  $\emptyset 4.75 \pm 0.08$   
Panel Thickness: 0.8-2



Bottom Hole: Snap-Lock  $\emptyset 3.5 \pm 0.08$   
Panel Thickness: 0.8-2

Part Number					"A" Standoff Height	Material	Std Pack Qty
DLCBS (Type 1)	DLCBS2 (Type 2)	DLCBS3 (Type 3)	DLCBS5 (Type 4)	DLCBS6 (Type 5)	4.8	UL94 V-2 Nylon 6/6, RMS-01	1000
DLCBS-3-01	DLCBS2-3-01	DLCBS3-3-01	DLCBS5-3-01	DLCBS6-3-01	6.4	UL94 V-2 Nylon 6/6, RMS-01	1000
DLCBS-4-01	DLCBS2-4-01	DLCBS3-4-01	DLCBS5-4-01	DLCBS6-4-01	7.9	UL94 V-2 Nylon 6/6, RMS-01	1000
DLCBS-5-01	DLCBS2-5-01	DLCBS3-5-01	DLCBS5-5-01	DLCBS6-5-01	9.5	UL94 V-2 Nylon 6/6, RMS-01	1000
DLCBS-6-01	DLCBS2-6-01	DLCBS3-6-01	DLCBS5-6-01	DLCBS6-6-01	11.1	UL94 V-2 Nylon 6/6, RMS-01	1000
DLCBS-7-01	DLCBS2-7-01	DLCBS3-7-01	DLCBS5-7-01	DLCBS6-7-01	12.7	UL94 V-2 Nylon 6/6, RMS-01	1000
DLCBS-8-01	DLCBS2-8-01	DLCBS3-8-01	DLCBS5-8-01	DLCBS6-8-01	14.3	UL94 V-2 Nylon 6/6, RMS-01	1000
DLCBS-9-01	DLCBS2-9-01	-	DLCBS5-9-01	DLCBS6-9-01	15.9	UL94 V-2 Nylon 6/6, RMS-01	1000
DLCBS-10-01	DLCBS2-10-01	DLCBS3-10-01	DLCBS5-10-01	DLCBS6-10-01	19.1	UL94 V-2 Nylon 6/6, RMS-01	1000
DLCBS-12-01	DLCBS2-12-01	DLCBS3-12-01	-	-	22.2	UL94 V-2 Nylon 6/6, RMS-01	1000
DLCBS-14-01	DLCBS2-14-01	DLCBS3-14-01	-	-	4.8	UL94 V-0 Nylon 6/6, RMS-19	1000
DLCBS-3-19	DLCBS2-3-19	DLCBS3-3-19	DLCBS5-3-19	DLCBS6-3-19	6.4	UL94 V-0 Nylon 6/6, RMS-19	1000
DLCBS-4-19	DLCBS2-4-19	DLCBS3-4-19	DLCBS5-4-19	DLCBS6-4-19	7.9	UL94 V-0 Nylon 6/6, RMS-19	1000
DLCBS-5-19	DLCBS2-5-19	-	DLCBS5-5-19	DLCBS6-5-19	9.5	UL94 V-0 Nylon 6/6, RMS-19	1000
DLCBS-6-19	DLCBS2-6-19	DLCBS3-6-19	DLCBS5-6-19	DLCBS6-6-19	11.1	UL94 V-0 Nylon 6/6, RMS-19	1000
DLCBS-7-19	DLCBS2-7-19	DLCBS3-7-19	DLCBS5-7-19	DLCBS6-7-19	12.7	UL94 V-0 Nylon 6/6, RMS-19	1000
DLCBS-8-19	DLCBS2-8-19	DLCBS3-8-19	DLCBS5-8-19	DLCBS6-8-19	14.3	UL94 V-0 Nylon 6/6, RMS-19	1000
DLCBS-9-19	DLCBS2-9-19	-	DLCBS5-9-19	DLCBS6-9-19	15.9	UL94 V-0 Nylon 6/6, RMS-19	1000
DLCBS-10-19	DLCBS2-10-19	DLCBS3-10-19	DLCBS5-10-19	DLCBS6-10-19	19.1	UL94 V-0 Nylon 6/6, RMS-19	1000
DLCBS-12-19	DLCBS2-12-19	DLCBS3-12-19	-	-	22.2	UL94 V-0 Nylon 6/6, RMS-19	1000
DLCBS-14-19	DLCBS2-14-19	DLCBS3-14-19	-	-			

SPLIT PACKS AVAILABLE

email | [sales@mossexpress.co.uk](mailto:sales@mossexpress.co.uk) web | [www.mossexpress.co.uk](http://www.mossexpress.co.uk)



# DUAL LOCKING SPACERS

## Dual Locking Circuit Board Support

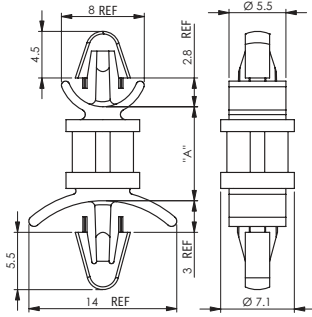
DLCBS

Natural



DLCBS7 Type 6

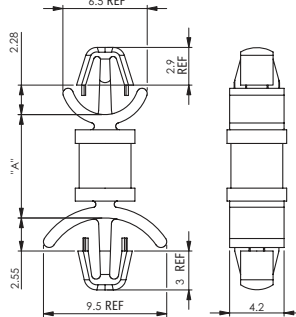
Top Hole: Snap-Lock  $\varnothing 4 \pm 0.08$   
Panel Thickness: 1.6



Bottom Hole: Snap-Lock  $\varnothing 4 \pm 0.08$   
Panel Thickness: 1.6

DLCBS8 Type 7

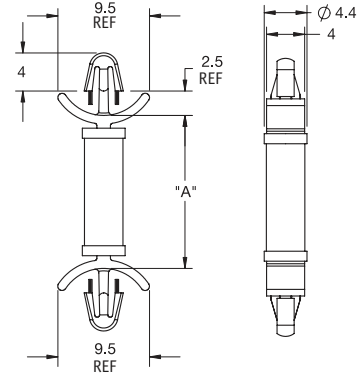
Top Hole: Snap-Lock  $\varnothing 3.5 \pm 0.08$   
Panel Thickness: 0.8-1.6



Bottom Hole: Snap-Lock  $\varnothing 3.5 \pm 0.08$   
Panel Thickness: 0.8-2

DLCBSM Type 8

Top Hole: Snap-lock:  $3.18 \pm 0.05$   
Panel Thickness: 0.79 - 1.98



Bottom Hole: Snap-lock:  $3.18 \pm 0.05$   
Panel Thickness: 0.79 - 1.98

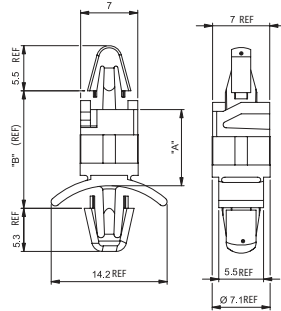
Part Number			"A" Standoff Height	Material	Std. Pack Qty
DLCBS7 (Type 6)	DLCBS8 (Type 7)	DLCBSM (Type 8)			
DLCBS7-3-01	DLCBS8-3-01	DLCBSM-3-01	4.8	UL94 V-2 Nylon 6/6, RMS-01	1000
DLCBS7-4-01	DLCBS8-4-01	DLCBSM-4-01	6.4	UL94 V-2 Nylon 6/6, RMS-01	1000
DLCBS7-5-01	DLCBS8-5-01	DLCBSM-5-01	7.9	UL94 V-2 Nylon 6/6, RMS-01	1000
DLCBS7-6-01	DLCBS8-6-01	DLCBSM-6-01	9.5	UL94 V-2 Nylon 6/6, RMS-01	1000
DLCBS7-7-01	DLCBS8-7-01	DLCBSM-7-01	11.1	UL94 V-2 Nylon 6/6, RMS-01	1000
DLCBS7-8-01	DLCBS8-8-01	DLCBSM-8-01	12.7	UL94 V-2 Nylon 6/6, RMS-01	1000
DLCBS7-9-01	DLCBS8-9-01	DLCBSM-9-01	14.3	UL94 V-2 Nylon 6/6, RMS-01	1000
DLCBS7-10-01	DLCBS8-10-01	DLCBSM-10-01	15.9	UL94 V-2 Nylon 6/6, RMS-01	1000
DLCBS7-12-01	-	-	19.1	UL94 V-2 Nylon 6/6, RMS-01	1000
DLCBS7-3-19	DLCBS8-3-19	DLCBSM-3-19	4.8	UL94 V-0 Nylon 6/6, RMS-19	1000
DLCBS7-4-19	DLCBS8-4-19	DLCBSM-4-19	6.4	UL94 V-0 Nylon 6/6, RMS-19	1000
DLCBS7-5-19	DLCBS8-5-19	DLCBSM-5-19	7.9	UL94 V-0 Nylon 6/6, RMS-19	1000
DLCBS7-6-19	DLCBS8-6-19	DLCBSM-6-19	9.5	UL94 V-0 Nylon 6/6, RMS-19	1000
DLCBS7-7-19	DLCBS8-7-19	DLCBSM-7-19	11.1	UL94 V-0 Nylon 6/6, RMS-19	1000
DLCBS7-8-19	DLCBS8-8-19	DLCBSM-8-19	12.7	UL94 V-0 Nylon 6/6, RMS-19	1000
DLCBS7-9-19	DLCBS8-9-19	DLCBSM-9-19	14.3	UL94 V-0 Nylon 6/6, RMS-19	1000
DLCBS7-10-19	DLCBS8-10-19	DLCBSM-10-19	15.9	UL94 V-0 Nylon 6/6, RMS-19	1000
DLCBS7-12-19	-	-	19.1	UL94 V-0 Nylon 6/6, RMS-19	1000

## Dual Locking Circuit Board Support

DLCBS4

Natural

Top Hole: Snap-Lock  $\varnothing 4.0 \pm 0.08$   
Panel Thickness: 1.3-2



Bottom Hole: Snap-Lock  $\varnothing 4.75 \pm 0.08$   
Panel Thickness: 0.8-2



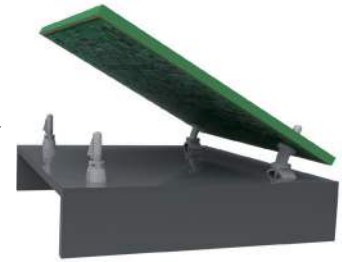
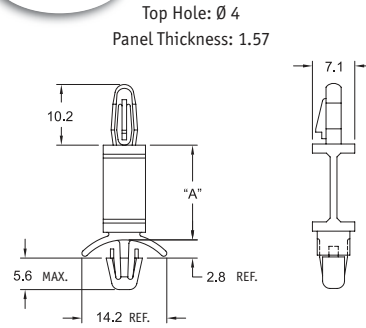
Part Number		"A" Standoff Height	"B"	Std Pack Qty
UL94 V-2 Nylon 6/6, RMS-01	UL94 V-0 Nylon 6/6, RMS-19			
DLCBS4-3-5-01	DLCBS4-3-5-19	5.5	10.8	1000
DLCBS4-4-01	DLCBS4-4-19	6.1	11.4	1000
DLCBS4-5-01	DLCBS4-5-19	9.1	14.4	1000
DLCBS4-6-01	DLCBS4-6-19	12.4	17.7	1000
DLCBS4-8-01	DLCBS4-8-19	18.8	24.1	1000
DLCBS4-10-01	DLCBS4-10-19	21.9	27.2	1000

## Flexible Locking Circuit Board Support

FLCBS

UL94 V2 Nylon 6/6, RMS-01 Natural

Part Number	"A" (mm)	Std Pack Qty
FLCBS-6-01	9.5	1000
FLCBS-7-01	11.1	1000
FLCBS-8-01	12.7	1000
FLCBS-10-01	15.9	1000
FLCBS-12-01	19.1	1000
FLCBS-14-01	22.2	1000
FLCBS-16-01	25.4	1000
FLCBS-18-01	28.6	1000
FLCBS-20-01	31.8	1000
FLCBS-22-01	34.9	1000



Bottom Hole: Ø 4.75  
Panel Thickness: 1.6

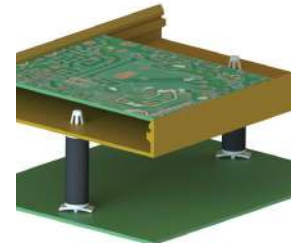
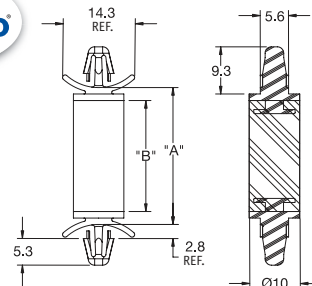
## Shock Dampening Spacers

HSCBS

Fix Material: Natural UL94 V0 Nylon 6/6, RMS-169

Spacer Material: Black UL94 HB TPE 45 Shore A RMS-168

Part Number	"A" Uncompressed	"B" Ref.	Hole Ø	Panel Thickness	Target Load	Std Pack Qty
HSCBS-1	14.9	9.7	4.75	0.79 - 1.98	9.8N	1000
HSCBS-2	21	16.3	4.75	0.79 - 1.98	9.8N	1000
HSCBS-3	27.1	22	4.75	0.79 - 1.98	9.8N	1000
HSCBS-4	33.2	28	4.75	0.79 - 1.98	9.8N	1000



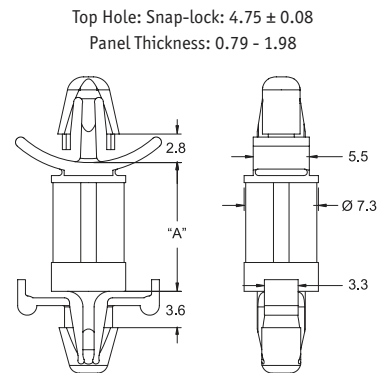
Patented

## Dual Locking Circuit Board Support

DLCBSRA

Natural UL94 V-2 Nylon 6/6, RMS-01

Part Number	"A" Standoff Height	Std Pack Qty
DLCBSRA3-6-01	4.8	1000
DLCBSRA3-8-01	12.7	1000
DLCBSRA3-10-01	15.9	1000
DLCBSRA3-12-01	19.1	1000
DLCBSRA3-14-01	22.2	1000



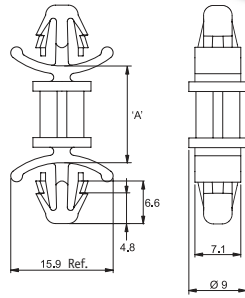
Bottom Hole: Snap-lock: 4.75 ± 0.08  
Panel Thickness: 0.79 - 1.98

# DUAL LOCKING SPACERS

## Heavy Duty Circuit Board Support

DLCBSHD

Natural



Part Number		"A"	Ø Hole	Panel Thickness	Std Pack Qty
UL94 V-2 Nylon 6/6, RMS-01	UL94 V-0 Nylon 6/6, RMS-19				
DLCBSHD-10M-01	DLCBSHD-10M-19	10	6.3	0.8 - 2.2	1000
DLCBSHD-20M-01	DLCBSHD-20M-19	20	6.3	0.8 - 2.2	1000
DLCBSHD-25M-01	DLCBSHD-25M-19	25	6.3	0.8 - 2.2	1000
DLCBSHD-30M-01	DLCBSHD-30M-19	30	6.3	0.8 - 2.2	1000
DLCBSHD-35M-01	DLCBSHD-35M-19	35	6.3	0.8 - 2.2	1000

## Dual Locking Support Post

DLSP

Natural



Part Number				"A" Standoff Height	Std Pack Qty
DLSP-1	DLSP-2	DLSP-3			
Nylon 6/6, RMS-01	UL94 V0 Nylon 6/6, RMS-19	Nylon 6/6, RMS-01	Nylon 6/6, RMS-01		
DLSP-1-3M-01	DLSP-1-3M-19	DLSP-2-3M-01	DLSP-3-3M-01	3	1000
DLSP-1-4M-01	DLSP-1-4M-19	DLSP-2-4M-01	DLSP-3-4M-01	4	1000
DLSP-1-6M-01	DLSP-1-6M-19	DLSP-2-6M-01	DLSP-3-6M-01	6	1000
DLSP-1-8M-01	DLSP-1-8M-19	DLSP-2-8M-01	DLSP-3-8M-01	8	1000
DLSP-1-10M-01	DLSP-1-10M-19	DLSP-2-10M-01	DLSP-3-10M-01	10	1000
DLSP-1-12M-01	DLSP-1-12M-19	DLSP-2-12M-01	DLSP-3-12M-01	12	1000
DLSP-1-14M-01	DLSP-1-14M-19	DLSP-2-14M-01	DLSP-3-14M-01	14	1000
DLSP-1-16M-01	DLSP-1-16M-19	DLSP-2-16M-01	DLSP-3-16M-01	16	1000
DLSP-1-18M-01	DLSP-1-18M-19	DLSP-2-18M-01	DLSP-3-18M-01	18	1000
DLSP-1-25M-01	DLSP-1-25M-19	DLSP-2-25M-01	DLSP-3-25M-01	25	1000
DLSP-1-30M-01	DLSP-1-30M-19	DLSP-2-30M-01	DLSP-3-30M-01	30	1000

DLSP-1

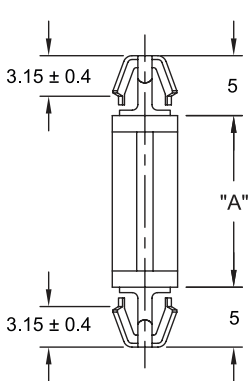
DLSP-2

DLSP-3

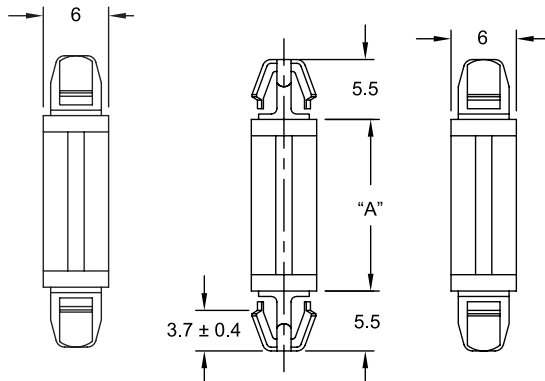
Top Hole: Snap-lock:  $4 \pm 0.08$   
Panel Thickness: 1.6

Top Hole: Snap-lock:  $4.8 \pm 0.08$   
Panel Thickness: 1.6

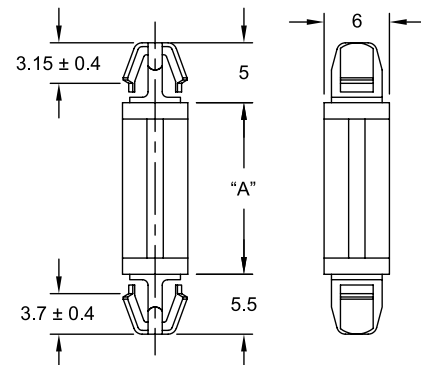
Top Hole: Snap-lock:  $\emptyset 4 \pm 0.08$   
Panel Thickness: 1.6



Bottom Hole: Snap-lock:  $4 \pm 0.08$   
Panel Thickness: 1.6



Bottom Hole: Snap-lock:  $4.8 \pm 0.08$   
Panel Thickness: 1.6



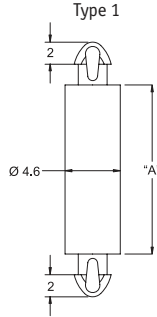
Bottom Hole: Snap-lock:  $\emptyset 4.8 \pm 0.08$   
Panel Thickness: 1.6

## Metric Mini Dual Locking Support Post

MDLSP1/MDLSP2

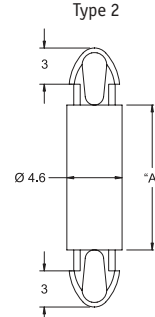


Top Hole: Snap-lock:  $2.5 \pm 0.05$   
Panel Thickness: 1.65 Max.



Bottom Hole: Snap-lock:  $2.5 \pm 0.05$   
Panel Thickness: 1.65 Max.

Top Hole: Snap-lock:  $3.5 \pm 0.05$   
Panel Thickness: 1.65 Max.



Bottom Hole: Snap-lock:  $3.5 \pm 0.05$   
Panel Thickness: 1.65 Max.



Part Number					"A" Standoff Height	Std Pack Qty
MDLSP1 (Type 1)		MDLSP2 (Type 2)				
Natural Nylon 6/6, RMS-01	Natural UL94 V0 Nylon 6/6, RMS-19	Natural Nylon 6/6, RMS-01	Black Nylon 6/6, RMS-01	Natural UL94 V0 Nylon 6/6, RMS-19		
MDLSP1-02M-01	MDLSP1-02M-19	MDLSP2-02M-01	MDLSP2-02M-01BK	MDLSP2-02M-19	2	1000
MDLSP1-03M-01	MDLSP1-03M-19	MDLSP2-03M-01	MDLSP2-03M-01BK	MDLSP2-03M-19	3	1000
MDLSP1-04M-01	MDLSP1-04M-19	MDLSP2-04M-01	MDLSP2-04M-01BK	MDLSP2-04M-19	4	1000
MDLSP1-05M-01	MDLSP1-05M-19	MDLSP2-05M-01	MDLSP2-05M-01BK	MDLSP2-05M-19	5	1000
MDLSP1-06M-01	MDLSP1-06M-19	MDLSP2-06M-01	MDLSP2-06M-01BK	MDLSP2-06M-19	6	1000
MDLSP1-07M-01	MDLSP1-07M-19	MDLSP2-07M-01	MDLSP2-07M-01BK	MDLSP2-07M-19	7	1000
MDLSP1-08M-01	MDLSP1-08M-19	MDLSP2-08M-01	MDLSP2-08M-01BK	MDLSP2-08M-19	8	1000
MDLSP1-09M-01	MDLSP1-09M-19	MDLSP2-09M-01	MDLSP2-09M-01BK	MDLSP2-09M-19	9	1000
MDLSP1-10M-01	MDLSP1-10M-19	MDLSP2-10M-01	MDLSP2-10M-01BK	MDLSP2-10M-19	10	1000
MDLSP1-12M-01	MDLSP1-12M-19	MDLSP2-12M-01	MDLSP2-12M-01BK	MDLSP2-12M-19	12	1000
MDLSP1-14M-01	MDLSP1-14M-19	MDLSP2-14M-01	MDLSP2-14M-01BK	MDLSP2-14M-19	14	1000
MDLSP1-16M-01	MDLSP1-16M-19	MDLSP2-16M-01	MDLSP2-16M-01BK	MDLSP2-16M-19	16	1000
MDLSP1-18M-01	MDLSP1-18M-19	MDLSP2-18M-01	MDLSP2-18M-01BK	MDLSP2-18M-19	18	1000
MDLSP1-20M-01	MDLSP1-20M-19	MDLSP2-20M-01	MDLSP2-20M-01BK	MDLSP2-20M-19	20	1000
MDLSP1-22M-01	MDLSP1-22M-19	MDLSP2-22M-01	MDLSP2-22M-01BK	MDLSP2-22M-19	22	1000

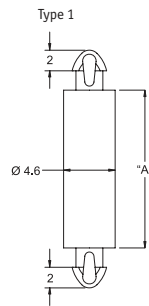
## Metric Mini Dual Locking Support Post

MDLSPK

Natural

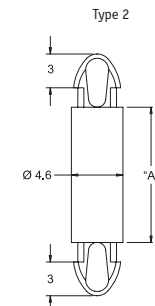


Top Hole: Snap-lock:  $2.5 \pm 0.05$   
Panel Thickness: 3.6 Max.



Bottom Hole: Snap-lock:  $2.5 \pm 0.05$   
Panel Thickness: 1.6 Max.

Top Hole: Snap-lock:  $3.5 \pm 0.05$   
Panel Thickness: 3.6 Max.



Bottom Hole: Snap-lock:  $3.5 \pm 0.05$   
Panel Thickness: 1.6 Max.



Part Number				"A" Standoff Height	Std Pack Qty
MDLSPK1 (Type 1)		MDLSPK2 (Type 2)			
Nylon 6/6, RMS-01	UL94 V0 Nylon 6/6, RMS-19	Nylon 6/6, RMS-01	UL94 V0 Nylon 6/6, RMS-19		
MDLSPK1-02M-01	MDLSPK1-02M-19	MDLSPK2-02M-01	MDLSPK2-02M-19	2	1000
MDLSPK1-03M-01	MDLSPK1-03M-19	MDLSPK2-03M-01	MDLSPK2-03M-19	3	1000
MDLSPK1-04M-01	MDLSPK1-04M-19	MDLSPK2-04M-01	MDLSPK2-04M-19	4	1000
MDLSPK1-06M-01	MDLSPK1-06M-19	MDLSPK2-06M-01	MDLSPK2-06M-19	6	1000
MDLSPK1-08M-01	MDLSPK1-08M-19	MDLSPK2-08M-01	MDLSPK2-08M-19	8	1000
MDLSPK1-10M-01	MDLSPK1-10M-19	MDLSPK2-10M-01	MDLSPK2-10M-19	10	1000
MDLSPK1-12M-01	MDLSPK1-12M-19	MDLSPK2-12M-01	MDLSPK2-12M-19	12	1000
MDLSPK1-14M-01	MDLSPK1-14M-19	MDLSPK2-14M-01	MDLSPK2-14M-19	14	1000
MDLSPK1-16M-01	MDLSPK1-16M-19	MDLSPK2-16M-01	MDLSPK2-16M-19	16	1000
MDLSPK1-18M-01	MDLSPK1-18M-19	MDLSPK2-18M-01	MDLSPK2-18M-19	18	1000
MDLSPK1-20M-01	MDLSPK1-20M-19	MDLSPK2-20M-01	MDLSPK2-20M-19	20	1000
MDLSPK1-22M-01	MDLSPK1-22M-19	MDLSPK2-22M-01	MDLSPK2-22M-19	22	1000

# DUAL LOCKING SPACERS

## Mini Dual Locking Support Post

MDLSP3

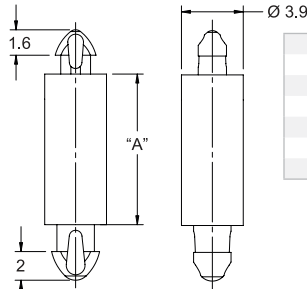
Natural Nylon 6/6, RMS-01



Can't find the size you are looking for? Contact us!



Top Hole: Snap-lock:  $2 \pm 0.05$   
Panel Thickness: 1.07 Max.



Bottom Hole: Snap-lock:  $2.5 \pm 0.05$   
Panel Thickness: 1.65 Max.

Part Number	"A" Standoff Height	Std Pack Qty
MDLSP3-1-01	1.6	1000
MDLSP3-2-01	3.2	1000
MDLSP3-3-01	4.8	1000
MDLSP3-4-01	6.4	1000
MDLSP3-5-01	7.9	1000
MDLSP3-6-01	9.5	1000

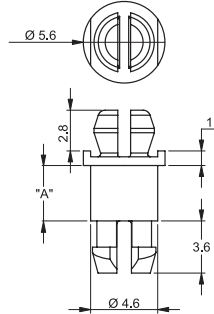
## Miniature Support Post

MSPT

Natural



Top Hole: Snap-fit:  $\varnothing 3.9 \pm 0.05$   
Panel Thickness: 1.2



Bottom Hole: Snap-lock:  $\varnothing 3.9 \pm 0.05$   
Panel Thickness: 1.62

Part Number		"A" (mm)	Std Pack Qty
UL94 V-2 Nylon 6/6, RMS-01	UL94 V-0 Nylon 6/6, RMS-19		
MSPT-3-01	MSPT-3-19	4.8	1000
MSPT-4-01	MSPT-4-19	6.4	1000
MSPT-5-01	MSPT-5-19	7.9	1000
MSPT-6-01	MSPT-6-19	9.5	1000
MSPT-7-01	MSPT-7-19	11.1	1000
MSPT-8-01	MSPT-8-19	12.7	1000
MSPT-10-01	MSPT-10-19	15.9	1000
MSPT-11-01	MSPT-11-19	17.5	1000
MSPT-12-01	MSPT-12-19	19.1	1000
MSPT-14-01	MSPT-14-19	22.2	1000

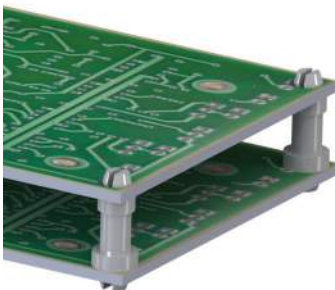
## Miniature Support Post

MSPS

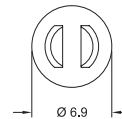
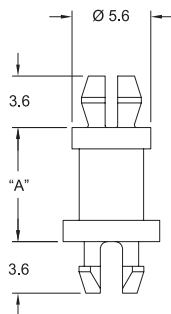
Natural



Bottom Hole Snap-Lock:  $\varnothing 4 \pm 0.05$   
Panel Thickness: 1.57



Top Hole: Snap-fit:  $\varnothing 4 \pm 0.05$   
Panel Thickness: 1.57

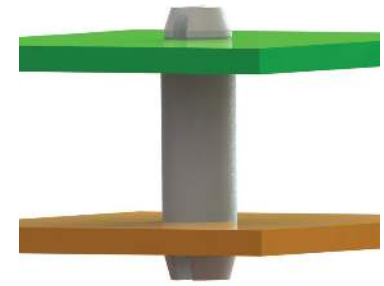


Part Number		"A" (mm)	Std Pack Qty
UL94 V-2 Nylon 6/6, RMS-01	UL94 V-0 Nylon 6/6, RMS-19		
MSPS-3-01	MSPS-3-19	4.8	1000
MSPS-4-01	MSPS-4-19	6.4	1000
MSPS-5-01	MSPS-5-19	7.9	1000
MSPS-6-01	MSPS-6-19	9.5	1000
MSPS-7-01	MSPS-7-19	11.1	1000
MSPS-8-01	MSPS-8-19	12.7	1000
MSPS-10-01	MSPS-10-19	15.9	1000
MSPS-11-01	MSPS-11-19	17.5	1000
MSPS-12-01	MSPS-12-19	19.1	1000
MSPS-14-01	MSPS-14-19	22.2	1000

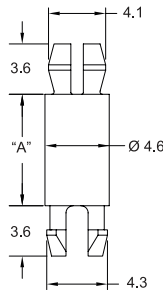
## Mini Support Post

MSP/MSPM/DLMSP/DLMSPM/DLCBST

Natural

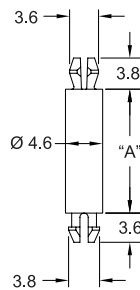


**MSP**  
 Top Hole: Snap-fit:  $3.9 \pm 0.05$   
 Panel Thickness: 1.57  
 Type 1



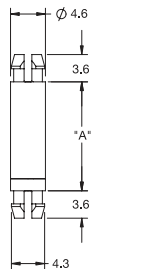
Bottom Hole: Snap-lock:  $3.9 \pm 0.05$   
 Panel Thickness: 1.57

**MSPM**  
 Top Hole: Snap-fit:  $3.18 \pm 0.05$   
 Panel Thickness: 1.57  
 Type 2



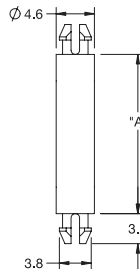
Bottom Hole: Snap-lock:  $3.18 \pm 0.05$   
 Panel Thickness: 1.57

**DLMSP**  
 Top Hole: Snap-lock:  $3.86 \pm 0.05$   
 Panel Thickness: 1.57  
 Type 3



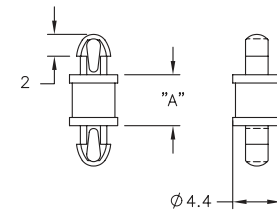
Bottom Hole: Snap-lock:  $3.86 \pm 0.05$   
 Panel Thickness: 1.57

**DLMSPM**  
 Top Hole: Snap-lock:  $3.18 \pm 0.05$   
 Panel Thickness: 1.57  
 Type 4



Bottom Hole: Snap-lock:  $3.18 \pm 0.05$   
 Panel Thickness: 1.57

**DLCBST**  
 Top Hole: Snap-fit:  $2.54 \pm 0.05$   
 Panel Thickness: 1.63 Max.  
 Type 5



Bottom Hole: Snap-lock:  $2.54 \pm 0.05$   
 Panel Thickness: 1.63 Max.

Part Number										"A" Standoff Height	Std Pack Qty		
MSP (Type 1)		MSPM (Type 2)		DLMSP (Type 3)		DLMSPM (Type 4)		DLCBST (Type 5)					
Nylon 6/6, RMS-01	UL94 V0 Nylon 6/6, RMS-19	Nylon 6/6, RMS-01	UL94 V0 Nylon 6/6, RMS-19	Nylon 6/6, RMS-01	UL94 V0 Nylon 6/6, RMS-19	Nylon 6/6, RMS-01	UL94 V0 Nylon 6/6, RMS-19	Nylon 6/6, RMS-01	UL94 V0 Nylon 6/6, RMS-19				
-	-	-	-	-	-	-	-	-	-	DLCBST-1-01	DLCBST-1-19	1.6	1000
MSP-2-01	MSP-2-19	MSPM-2-01	MSPM-2-19	DLMSP-2-01	DLMSP-2-19	DLMSPM-2-01	DLMSPM-2-19	DLCBST-2-01	DLCBST-2-19			3.2	1000
MSP-3-01	MSP-3-19	MSPM-3-01	MSPM-3-19	DLMSP-3-01	DLMSP-3-19	DLMSPM-3-01	DLMSPM-3-19	DLCBST-3-01	DLCBST-3-19			4.8	1000
MSP-4-01	MSP-4-19	MSPM-4-01	MSPM-4-19	DLMSP-4-01	DLMSP-4-19	DLMSPM-4-01	DLMSPM-4-19	DLCBST-4-01	DLCBST-4-19			6.4	1000
MSP-5-01	MSP-5-19	MSPM-5-01	MSPM-5-19	DLMSP-5-01	DLMSP-5-19	DLMSPM-5-01	DLMSPM-5-19	DLCBST-5-01	DLCBST-5-19			7.9	1000
MSP-6-01	MSP-6-19	MSPM-6-01	MSPM-6-19	DLMSP-6-01	DLMSP-6-19	DLMSPM-6-01	DLMSPM-6-19	DLCBST-6-01	DLCBST-6-19			9.5	1000
MSP-7-01	MSP-7-19	MSPM-7-01	MSPM-7-19	DLMSP-7-01	DLMSP-7-19	DLMSPM-7-01	DLMSPM-7-19	DLCBST-7-01	DLCBST-7-19			11.1	1000
MSP-8-01	MSP-8-19	MSPM-8-01	MSPM-8-19	DLMSP-8-01	DLMSP-8-19	DLMSPM-8-01	DLMSPM-8-19	DLCBST-8-01	DLCBST-8-19			12.7	1000
MSP-9-01	MSP-9-19	MSPM-9-01	MSPM-9-19	DLMSP-9-01	DLMSP-9-19	DLMSPM-9-01	DLMSPM-9-19	DLCBST-9-01	DLCBST-9-19			14.3	1000
MSP-10-01	MSP-10-19	MSPM-10-01	MSPM-10-19	DLMSP-10-01	DLMSP-10-19	DLMSPM-10-01	DLMSPM-10-19	DLCBST-10-01	DLCBST-10-19			15.9	1000
MSP-11-01	MSP-11-19	-	-	-	-	-	-	-	-			17.5	1000
MSP-12-01	MSP-12-19	MSPM-12-01	MSPM-12-19	DLMSP-12-01	DLMSP-12-19	DLMSPM-12-01	DLMSPM-12-19	-	-			19.1	1000
MSP-13-01	MSP-13-19	MSPM-13-01	MSPM-13-19	-	-	DLMSPM-13-01	DLMSPM-13-19	-	-			20.6	1000
MSP-14-01	MSP-14-19	MSPM-14-01	MSPM-14-19	DLMSP-14-01	DLMSP-14-19	DLMSPM-14-01	DLMSPM-14-19	-	-			22.2	1000
MSP-16-01	MSP-16-19	MSPM-16-01	MSPM-16-19	DLMSP-16-01	DLMSP-16-19	DLMSPM-16-01	DLMSPM-16-19	-	-			25.4	1000
MSP-18-01	MSP-18-19	MSPM-18-01	MSPM-18-19	DLMSP-18-01	DLMSP-18-19	DLMSPM-18-01	DLMSPM-18-19	-	-			28.6	1000
MSP-20-01	MSP-20-19	MSPM-20-01	MSPM-20-19	DLMSP-20-01	DLMSP-20-19	DLMSPM-20-01	DLMSPM-20-19	-	-			31.8	1000
MSP-22-01	MSP-22-19	MSPM-22-01	MSPM-22-19	DLMSP-22-01	DLMSP-22-19	DLMSPM-22-01	DLMSPM-22-19	-	-			34.9	1000
MSP-24-01	MSP-24-19	MSPM-24-01	MSPM-24-19	DLMSP-24-01	DLMSP-24-19	DLMSPM-24-01	DLMSPM-24-19	-	-			38.1	1000

SPLIT PACKS AVAILABLE

email | [sales@mossexpress.co.uk](mailto:sales@mossexpress.co.uk)

web | [www.mossexpress.co.uk](http://www.mossexpress.co.uk)

129

# DUAL LOCKING SPACERS

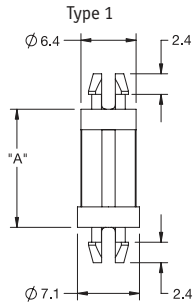
## Support Post

SP/MSPE

Natural

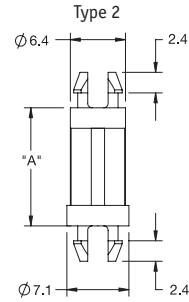


**SP1**  
Top Hole: Snap-lock:  $4 \pm 0.08$   
Panel Thickness: 1.57



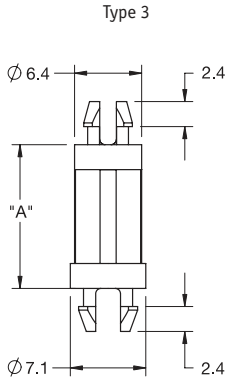
Bottom Hole: Snap-lock:  $4 \pm 0.08$   
Panel Thickness: 1.57

**SP2**  
Top Hole: Snap-lock:  $4.75 \pm 0.08$   
Panel Thickness: 1.57



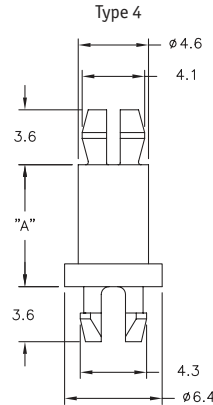
Bottom Hole: Snap-lock:  $4.75 \pm 0.08$   
Panel Thickness: 1.57

**SP3**  
Top Hole: Snap-lock:  $4 \pm 0.08$   
Panel Thickness: 1.57



Bottom Hole: Snap-lock:  $4.75 \pm 0.08$   
Panel Thickness: 1.57

**MSPE**  
Top Hole: Snap-fit:  $3.9 \pm 0.05$   
Panel Thickness: 1.57



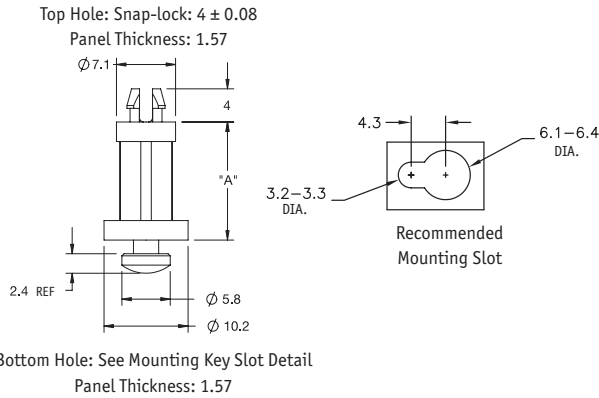
Bottom Hole: Snap-lock:  $3.9 \pm 0.05$   
Panel Thickness: 1.57

Part Number								"A" Standoff Height	Std Pack Qty
SP1 (Type 1)		SP2 (Type 2)		SP3 (Type 3)		MSPE (Type 4)			
Nylon 6/6, RMS-01	UL94 V0 Nylon 6/6, RMS-19	Nylon 6/6, RMS-01	UL94 V0 Nylon 6/6, RMS-19	Nylon 6/6, RMS-01	UL94 V0 Nylon 6/6, RMS-19	Nylon 6/6, RMS-01	UL94 V0 Nylon 6/6, RMS-19		
-	-	-	-	-	-	MSPE-2-01	MSPE-2-19	3.2	1000
SP1-3-01	SP1-3-19	SP2-3-01	SP2-3-19	SP3-3-01	SP3-3-19	MSPE-3-01	MSPE-3-19	4.8	1000
SP1-4-01	SP1-4-19	SP2-4-01	SP2-4-19	SP3-4-01	SP3-4-19	MSPE-4-01	MSPE-4-19	6.4	1000
-	-	-	-	-	-	MSPE-5-01	MSPE-5-19	7.9	1000
SP1-6-01	SP1-6-19	SP2-6-01	SP2-6-19	SP3-6-01	SP3-6-19	MSPE-6-01	MSPE-6-19	9.5	1000
-	-	-	-	-	-	MSPE-7-01	MSPE-7-19	11.1	1000
SP1-8-01	SP1-8-19	SP2-8-01	SP2-8-19	SP3-8-01	SP3-8-19	MSPE-8-01	MSPE-8-19	12.7	1000
SP1-10-01	SP1-10-19	SP2-10-01	SP2-10-19	SP3-10-01	SP3-10-19	MSPE-10-01	MSPE-10-19	15.9	1000
-	-	-	-	-	-	MSPE-11-01	MSPE-11-19	17.5	1000
SP1-12-01	SP1-12-19	SP2-12-01	SP2-12-19	SP3-12-01	SP3-12-19	MSPE-12-01	MSPE-12-19	19.1	1000
SP1-14-01	SP1-14-19	SP2-14-01	SP2-14-19	SP3-14-01	SP3-14-19	MSPE-14-01	MSPE-14-19	22.2	1000
SP1-16-01	SP1-16-19	SP2-16-01	SP2-16-19	SP3-16-01	SP3-16-19	MSPE-16-01	MSPE-16-19	25.4	1000
-	-	-	-	-	-	MSPE-20-01	MSPE-20-19	31.8	1000
-	-	-	-	-	-	MSPE-22-01	MSPE-22-19	34.9	1000

## Key Slot Locking Support Post

KSLSP

Natural Nylon 6/6, RMS-01

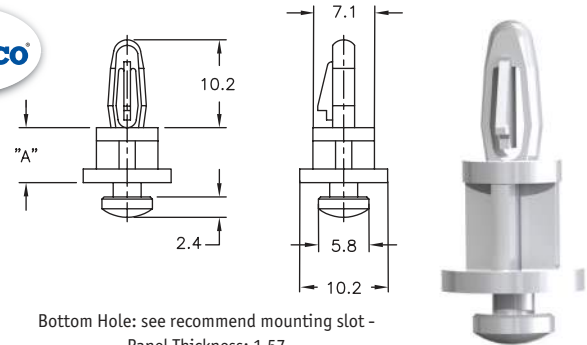


Part Number	"A" Standoff Height	Std Pack Qty
KSLSP1-3-01	4.8	1000
KSLSP1-4-01	6.4	1000
KSLSP1-6-01	9.5	1000
KSLSP1-8-01	12.7	1000
KSLSP1-10-01	15.9	1000

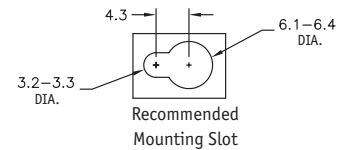
## Key Slot with Locking Bayonet Nose

KSLBN

Natural UL94 V2 Nylon 6/6, RMS-01



Part Number	"A" Standoff Height	Top Panel Thickness	Top Hole $\varnothing$	Std Pack Qty
KSLBN-2-01	3.2	1.57	4	1000
KSLBN-4-01	6.4	1.57	4	1000
KSLBN-6-01	9.5	1.57	4	1000
KSLBN-8-01	12.7	1.57	4	1000
KSLBN-2-2-01	3.2	2.4	4	1000
KSLBN-2-4-01	6.4	2.4	4	1000
KSLBN-2-6-01	9.5	2.4	4	1000
KSLBN-2-8-01	12.7	2.4	4	1000



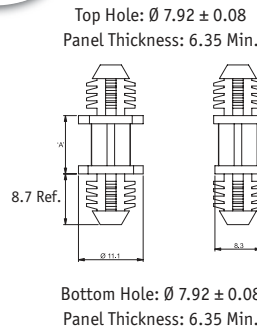
## Blind Hole Circuit board Support

BHDF

Natural



Part Number		"A" Standoff Height	Std Pack Qty
UL94 V-2 Nylon 6/6, RMS-19	UL94 V-0 Nylon 6/6, RMS-19		
BHDF-3M-01	BHDF-3M-19	3	1000
BHDF-4M-01	BHDF-4M-19	4	1000
BHDF-6M-01	BHDF-6M-19	6	1000
BHDF-8M-01	BHDF-8M-19	8	1000
BHDF-10M-01	BHDF-10M-19	10	1000
BHDF-12M-01	BHDF-12M-19	12	1000
BHDF-14M-01	BHDF-14M-19	14	1000
BHDF-16M-01	BHDF-16M-19	16	1000
BHDF-18M-01	BHDF-18M-19	18	1000
BHDF-20M-01	BHDF-20M-19	20	1000



SPLIT PACKS AVAILABLE

email | [sales@mossexpress.co.uk](mailto:sales@mossexpress.co.uk) web | [www.mossexpress.co.uk](http://www.mossexpress.co.uk)

131



# DUAL LOCKING SPACERS

## Blind Hole Mount Circuit Board Supports

BHL/BHC/BHDL

Natural UL94 V2 Nylon 6/6, RMS-01

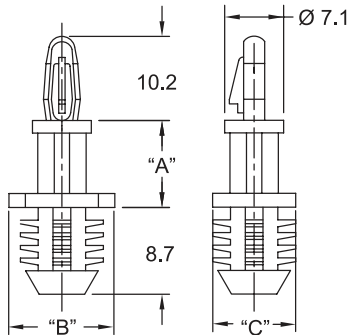


Part Number			"A" Standoff Height	"B"	"C"	Std Pack Qty
BHL (Type 1)	BHC (Type 2)	BHDL (Type 3)				
BHL-3-01	BHC-3-01	BHDL-3-01	4.8	11.1	7.9	1000
BHL-4-01	BHC-4-01	BHDL-4-01	6.4	11.1	7.9	1000
BHL-6-01	BHC-6-01	BHDL-6-01	9.5	11.1	7.9	1000
BHL-7-01	-	-	11.1	11.1	7.9	1000
BHL-8-01	BHC-8-01	BHDL-8-01	12.7	11.1	7.9	1000
BHL-10-01	BHC-10-01	BHDL-10-01	15.9	11.1	7.9	1000
BHL-12-01	BHC-12-01	BHDL-12-01	19.1	11.1	7.9	1000
BHL-14-01	BHC-14-01	BHDL-14-01	22.2	11.1	7.9	1000

### BHL

Top Hole: Snap-lock: 4  
Panel Thickness: 1.57

Type 1

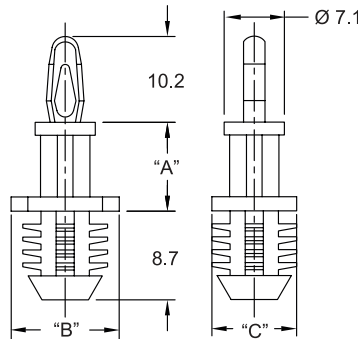


Bottom Hole: Press-fit: 7.92  
Panel Thickness: 6.4 Min.

### BHC

Top Hole: Snap-fit: 4  
Panel Thickness: 1.57

Type 2

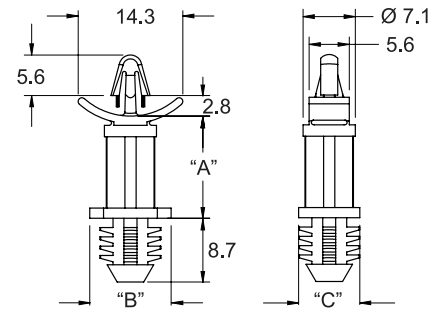


Bottom Hole: Press-fit: 7.92  
Panel Thickness: 6.4 Min.

### BHDL

Top Hole: Snap-lock: 4  
Panel Thickness: 0.79 - 1.98

Type 3



Bottom Hole: Press-fit: 7.92  
Panel Thickness: 6.4 Min.

## Touch Control Spacer

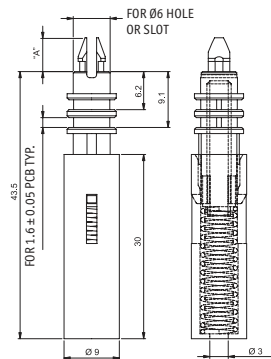
TCS

Natural

- Spring provides continuous force to light sensors mounted onto a PCB so that they are in constant contact with the cover
- Travel: 3 mm

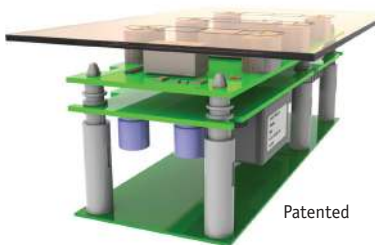


Top Hole: Snap-lock:  $4.2 \pm 0.05$   
Panel Thickness:  $1.6 \pm 0.05$



Bottom Hole: Tolocate over a vertical tab

Part Number	"A" (mm)	Spacer Material	Spring Material	Std Pack Qty
TCS-1	5.4	Nylon 6/6, RMS-01	Stainless Steel, RMS-230	500
TCS-2	5.4	Nylon 6/6, RMS-19	Stainless Steel, RMS-230	500
TCS-3	4.2	Nylon 6/6, RMS-01	Stainless Steel, RMS-230	500
TCS4	4.2	Nylon 6/6, RMS-19	Stainless Steel, RMS-230	500

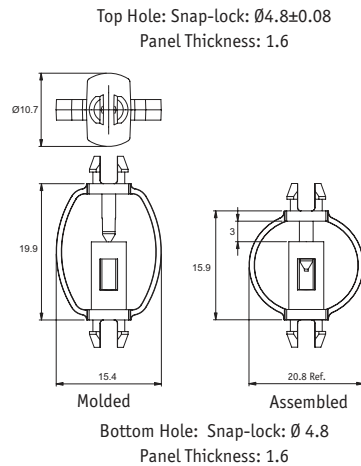


Patented

### Sprung Spacer

CBSP

Natural Acetal, RMS-61



Part Number	Std Pack Qty
CBSP-1	1000

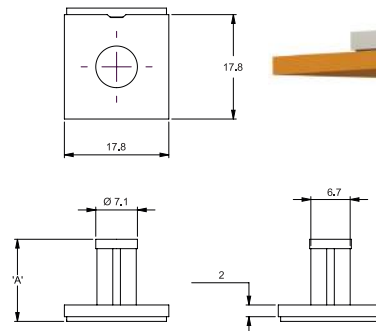
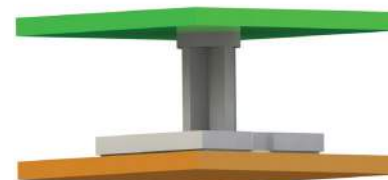
### Push Spacer on Adhesive Base

PSB

Natural UL94 V2 Nylon 6/6, RMS-21

Adhesive: 0.8 thick double-sided adhesive tape, RMS-24

Part Number	"A" (mm)	Std Pack Qty
PSB-6M-01A2-RT	6	1000
PSB-8M-01A2-RT	8	1000
PSB-10M-01A2-RT	10	1000
PSB-12M-01A2-RT	12	1000
PSB-14M-01A2-RT	14	1000
PSB-16M-01A2-RT	16	1000



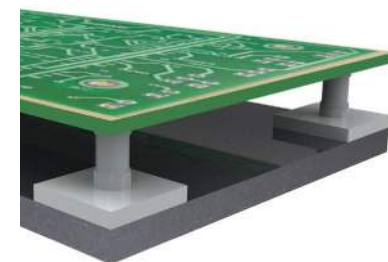
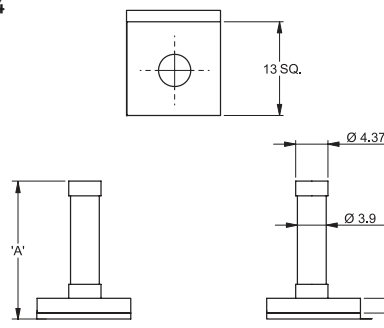
### Miniature Push Spacer

PSBM

Natural UL94 V-2 Nylon 6/6, RMS-21

Adhesive: 0.8 thick double-sided adhesive tape, RMS-24

Part Number	"A" Standoff Height	Std Pack Qty
PSBM-3-01A-RT	4.8	1000
PSBM-4-01A-RT	6.4	1000
PSBM-5-01A-RT	7.9	1000
PSBM-6-01A-RT	9.5	1000
PSBM-7-01A-RT	11.1	1000
PSBM-8-01A-RT	12.7	1000
PSBM-9-01A-RT	14.3	1000
PSBM-10-01A-RT	15.9	1000
PSBM-12-01A-RT	19.1	1000
PSBM-14-01A-RT	22.2	1000



# PUSH SPACERS

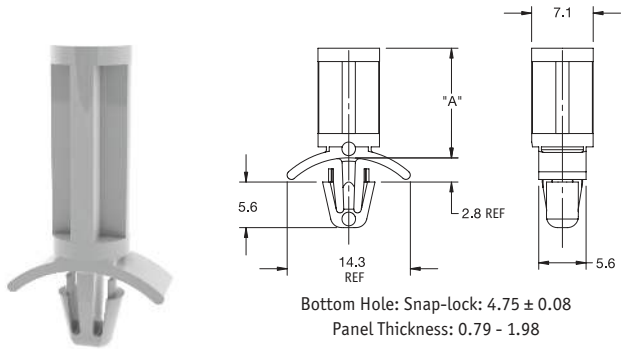
## Push Spacer

PS

Natural



Can't find the size you are looking for? Contact us!

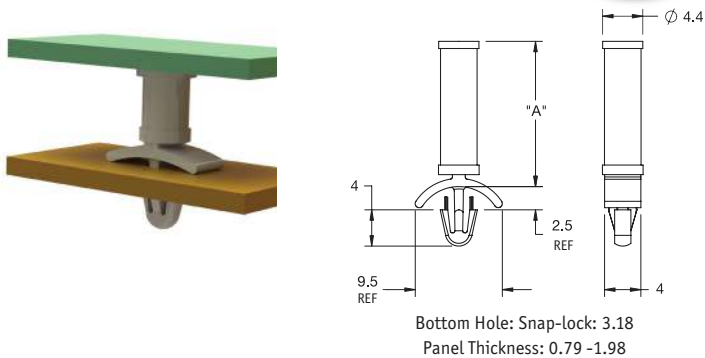


Part Number		"A" Standoff Height	Std Pack Qty
UL94 V2 Nylon 6/6,RMS-01	UL94 V-0 Nylon 6/6,RMS-19		
PS-3-01	PS-3-19	4.8	1000
PS-4-01	PS-4-19	6.4	1000
PS-6-01	PS-6-19	9.5	1000
PS-7-01	PS-7-19	11.1	1000
PS-8-01	PS-8-19	12.7	1000
PS-10-01	PS-10-19	15.9	1000
PS-12-01	PS-12-19	19.1	1000
PS-14-01	PS-14-19	22.2	1000

## Mini Push Spacer

PSM

Natural UL94 V2 Nylon 6/6, RMS-01

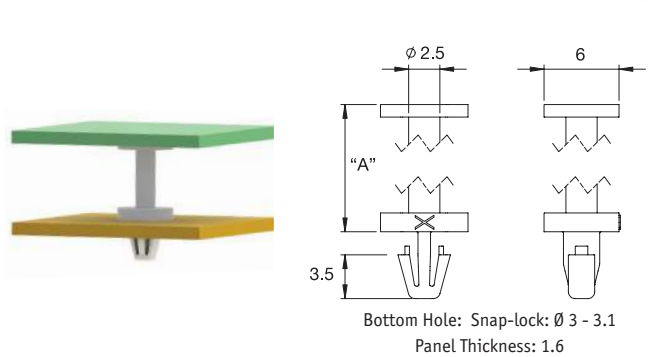


Part Number	"A" Standoff Height	Std Pack Qty
PSM-2-01	3.2	1000
PSM-3-01	4.8	1000
PSM-4-01	6.4	1000
PSM-5-01	7.9	1000
PSM-6-01	9.5	1000
PSM-7-01	11.1	1000
PSM-8-01	12.7	1000
PSM-9-01	14.3	1000
PSM-10-01	15.9	1000

## Metric Push Spacer

PSD

Natural



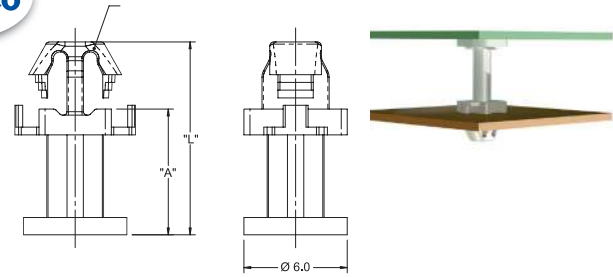
Part Number		"A" Standoff Height	Std Pack Qty
UL94 V-2 Nylon 6/6, RMS-01	UL94 V-0 Nylon 6/6, RMS-19		
PSD-4M-01	PSD-4M-19	4	1000
PSD-6M-01	PSD-6M-19	6	1000
PSD-7M-01	PSD-7M-19	7	1000
PSD-8M-01	PSD-8M-19	8	1000
PSD-10M-01	PSD-10M-19	10	1000
PSD-12M-01	PSD-12M-19	12	1000
PSD-14M-01	PSD-14M-19	14	1000
PSD-18M-01	PSD-18M-19	18	1000

**Push Spacer**

PSE  
Natural



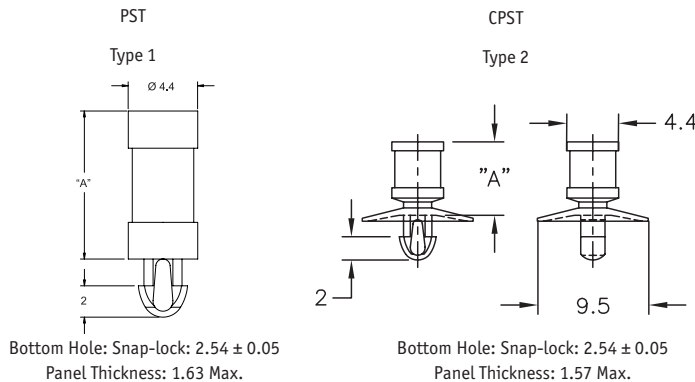
Top Hole: Snap-Lock  $\varnothing$  4.0-4.2  
Panel Thickness: 0.8-1.6



Part Number		"A"	"L"	Std Pack Qty
UL94 V-2 Nylon 6/6, RMS-01	UL94 V-0 Nylon 6/6, RMS-19			
PSE-4M-01	PSE-4M-19	4	7.9	1000
PSE-6M-01	PSE-6M-19	6	9.9	1000
PSE-7M-01	PSE-7M-19	7	10.9	1000
PSE-8M-01	PSE-8M-19	8	11.9	1000

**Push Spacer Teardrop**

PST/CPST  
Natural



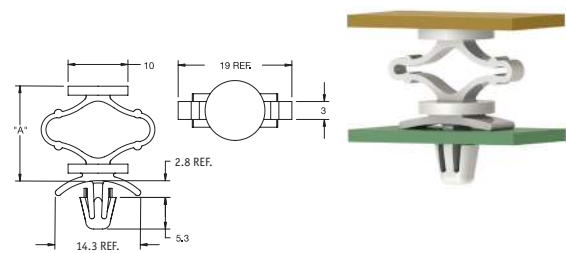
Bottom Hole: Snap-lock:  $2.54 \pm 0.05$   
Panel Thickness: 1.63 Max.

Bottom Hole: Snap-lock:  $2.54 \pm 0.05$   
Panel Thickness: 1.57 Max.

Part Number			"A" Standoff Height	Std Pack Qty
PST (Type 1)		CPST (Type 2)		
UL94 V2 Nylon 6/6, RMS-01	UL 94 V0 Nylon 6/6, RMS-19	UL94 V2 Nylon 6/6, RMS-01		
PST-1-01	PST-1-19	-	1.6	1000
PST-2-01	PST-2-19	CPST-2-01	3.2	1000
PST-3-01	PST-3-19	CPST-3-01	4.8	1000
PST-4-01	PST-4-19	CPST-4-01	6.4	1000
PST-5-01	PST-5-19	CPST-5-01	7.9	1000
PST-6-01	PST-6-19	CPST-6-01	9.5	1000
PST-7-01	PST-7-19	CPST-7-01	11.1	1000
PST-8-01	PST-8-19	CPST-8-01	12.7	1000
PST-9-01	PST-9-19	CPST-9-01	14.3	1000
PST-10-01	PST-10-19	CPST-10-01	15.9	1000

**Push Spacer with Cushion**

PSC  
Natural Impact Modified Nylon 6/6 UV Stabilized, RMS-73



Bottom Hole: Snap-lock:  $4.75 \pm 0.08$   
Panel Thickness: 0.79-1.98

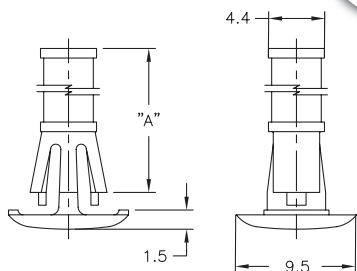
Part Number	"A" Spacer Length Uncompressed	Std Pack Qty
PSC-1	9.5	1000
PSC-2	12.7	1000
PSC-3	15.9	1000
PSC-4	19.1	1000

# REVERSE LOCKING SPACERS

## Reverse Locking Circuit Board Support Round Hole Spacer

RLCBSRS

Natural Nylon 6/6, RMS-01



Bottom Hole: Snap-lock:  $4.75 \pm 0.08$   
Panel Thickness: 1.5 - 1.6

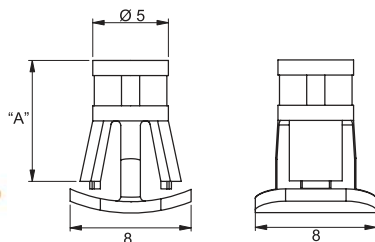


Part Number	"A" Standoff Height	Std Pack Qty
RLCBSRS-4-01	6.4	1000
RLCBSRS-5-01	7.9	1000
RLCBSRS-6-01	9.5	1000
RLCBSRS-7-01	11.1	1000
RLCBSRS-8-01	12.7	1000
RLCBSRS-9-01	14.3	1000
RLCBSRS-10-01	15.9	1000

## Metric Reverse Lock Circuit Board Support Push Spacer

RLCBSB

Natural UL94 V2 Nylon 6/6, RMS-01



Bottom Hole: Snap-lock: 5.5  
Panel Thickness: 0.5 - 1

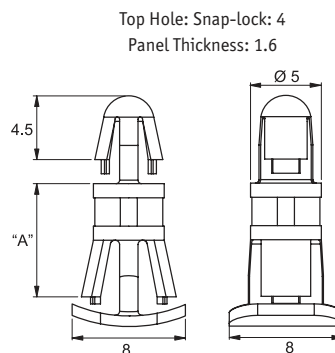


Part Number	"A" Standoff Height	Std Pack Qty
RLCBSB-5-01	5	1000
RLCBSB-6-01	6	1000
RLCBSB-8-01	8	1000
RLCBSB-10-01	10	1000
RLCBSB-12-01	12	1000
RLCBSB-14-01	14	1000

## Metric Reverse Lock Circuit Board Support

RLCBSA

Natural UL94 V2 Nylon 6/6, RMS-01



Top Hole: Snap-lock: 4  
Panel Thickness: 1.6

Bottom Hole: Snap-lock: 5.5  
Panel Thickness: 0.5 - 1



Part Number	"A" Standoff Height	Std Pack Qty
RLCBSA-5-01	5	1000
RLCBSA-6-01	6	1000
RLCBSA-8-01	8	1000
RLCBSA-10-01	10	1000
RLCBSA-12-01	12	1000
RLCBSA-14-01	14	1000

## Metric Reverse Lock Circuit Board Support

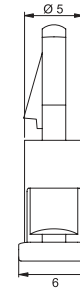
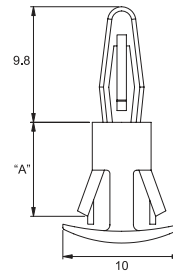
RLCBSC

Natural UL94 V2 Nylon 6/6, RMS-01



Part Number	"A" Standoff Height	Std Pack Qty
RLCBSC-5-01	5	1000
RLCBSC-6-01	6	1000
RLCBSC-8-01	8	1000
RLCBSC-10-01	10	1000
RLCBSC-12-01	12	1000
RLCBSC-14-01	14	1000

Top Hole: Snap-lock: 3.2  
Panel Thickness: 1.6



Bottom Hole: Snap-lock: 5.4  
Panel Thickness: 0.8

## Cupped Reverse Locking Circuit Board Support

CRLCBSR/CRLCBSRE



Can't find the size you are looking for? Contact us!

CRLCBSR

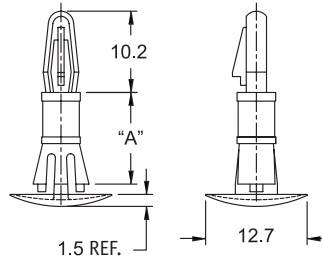
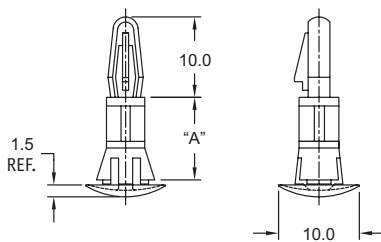
CRLCBSRE

Top Hole: Snap-lock:  $4 \pm 0.08$   
Panel Thickness: 1.6

Top Hole: Snap-lock:  $4 \pm 0.08$   
Panel Thickness: 1.6

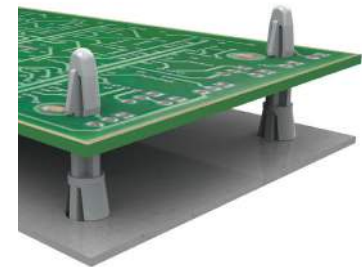
Type 1

Type 2



Bottom Hole: Snap-lock:  $6 \pm 0.08$   
Panel Thickness: 0.8 - 1.2

Bottom Hole: Snap-lock:  $5.4 \pm 0.08$   
Panel Thickness: 1.2 - 2



CRLCBSR (Type 1)			CRLCBSRE (Type 2)			"A" Standoff Height	Std Pack Qty
Natural Nylon 6/6, RMS-01	Black Nylon 6/6, RMS-01	Natural UL94 V0 Nylon 6/6, RMS-19	Natural Nylon 6/6, RMS-01	Black Nylon 6/6, RMS-01	Natural UL94 V0 Nylon 6/6, RMS-19		
CRLCBSR-3-01	CRLCBSR-3-01BK	CRLCBSR-3-19	-	-	-	4.8	1000
CRLCBSR-4-01	CRLCBSR-4-01BK	CRLCBSR-4-19	CRLCBSRE-4-01	CRLCBSRE-4-01BK	CRLCBSRE-4-19	6.4	1000
CRLCBSR-5-01	CRLCBSR-5-01BK	CRLCBSR-5-19	-	-	-	7.9	1000
CRLCBSR-6-01	CRLCBSR-6-01BK	CRLCBSR-6-19	CRLCBSRE-6-01	CRLCBSRE-6-01BK	CRLCBSRE-6-19	9.5	1000
CRLCBSR-8-01	CRLCBSR-8-01BK	CRLCBSR-8-19	CRLCBSRE-8-01	CRLCBSRE-8-01BK	CRLCBSRE-8-19	12.7	1000
-	-	-	CRLCBSRE-10-01	CRLCBSRE-10-01B	CRLCBSRE-10-19	15.9	1000
CRLCBSR-12-01	CRLCBSR-12-01BK	CRLCBSR-12-19	-	-	-	19.1	1000

# REVERSE LOCKING SPACERS

## Reverse Mounted Circuit Board Support Round Hole

RLCBSR/RLCBSRE/RLCBSR/RCBSR



Can't find the size you are looking for? Contact us!

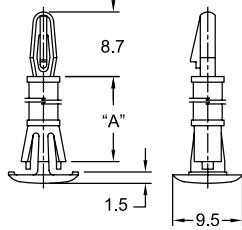


RLCBSR

Top Hole: Snap-lock:  $3.18 \pm 0.05$

Panel Thickness: 1.6

Type 1



Bottom Hole: Snap-lock:  $4.75 \pm 0.08$

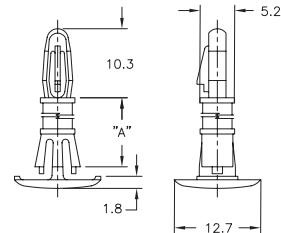
Panel Thickness: 1.5 - 1.6

RLCBSRE

Top Hole: Snap-lock:  $4 \pm 0.08$

Panel Thickness: 1.6

Type 2



Bottom Hole: Snap-lock:  $5.41 \pm 0.08$

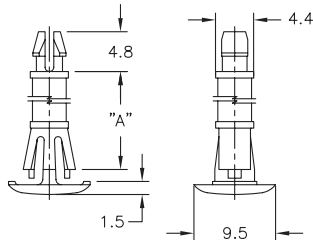
Panel Thickness: 1.5 - 1.65

RLCBSR

Top Hole: Snap-lock:  $3.18 \pm 0.05$

Panel Thickness: 1.6

Type 3



Bottom Hole: Snap-lock:  $4.75 \pm 0.08$

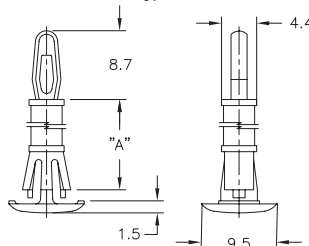
Panel Thickness: 1.5 - 1.6

RCBSR

Top Hole: Snap-fit:  $3.18 \pm 0.05$

Panel Thickness: 1.6

Type 4



Bottom Hole: Snap-lock:  $4.75 \pm 0.08$

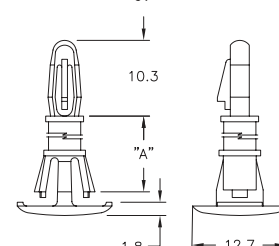
Panel Thickness: 1.5 - 1.6

RLCBSR1

Top Hole: Snap-lock:  $4 \pm 0.08$

Panel Thickness: 1.6

Type 5



Bottom Hole: Snap-lock:  $6.35 \pm 0.08$

Panel Thickness: 1.5 - 1.65

Part Number					"A" Standoff Height	Material	Std Pack Qty
RLCBSR (Type 1)	RLCBSRE (Type 2)	RLCBSR (Type 3)	RCBSR (Type 4)	RLCBSR1 (Type 5)			
RLCBSR-4-01	RLCBSRE-4-01	RLCBSR-4-01	RCBSR-4-01	RLCBSR1-4-01	6.4	Natural UL94 V2 Nylon, RMS-01	1000
RLCBSR-5-01	-	RLCBSR-5-01	RCBSR-5-01	-	7.9	Natural UL94 V2 Nylon, RMS-01	1000
RLCBSR-6-01	RLCBSRE-6-01	RLCBSR-6-01	RCBSR-6-01	RLCBSR1-6-01	9.5	Natural UL94 V2 Nylon, RMS-01	1000
RLCBSR-7-01	-	RLCBSR-7-01	RCBSR-7-01	-	11.1	Natural UL94 V2 Nylon, RMS-01	1000
RLCBSR-8-01	RLCBSRE-8-01	RLCBSR-8-01	RCBSR-8-01	RLCBSR1-8-01	12.7	Natural UL94 V2 Nylon, RMS-01	1000
RLCBSR-9-01	-	RLCBSR-9-01	RCBSR-9-01	-	14.3	Natural UL94 V2 Nylon, RMS-01	1000
RLCBSR-10-01	RLCBSRE-10-01	RLCBSR-10-01	RCBSR-10-01	RLCBSR1-10-01	15.9	Natural UL94 V2 Nylon, RMS-01	1000
RLCBSR-4-19	-	RLCBSR-4-19	-	-	6.4	Natural UL94 V0 Nylon, RMS-19	1000
RLCBSR-5-19	-	RLCBSR-5-19	-	-	7.9	Natural UL94 V0 Nylon, RMS-19	1000
RLCBSR-6-19	-	RLCBSR-6-19	-	-	9.5	Natural UL94 V0 Nylon, RMS-19	1000
RLCBSR-7-19	-	RLCBSR-7-19	-	-	11.1	Natural UL94 V0 Nylon, RMS-19	1000
RLCBSR-8-19	-	RLCBSR-8-19	-	-	12.7	Natural UL94 V0 Nylon, RMS-19	1000
RLCBSR-9-19	-	RLCBSR-9-19	-	-	14.3	Natural UL94 V0 Nylon, RMS-19	1000
RLCBSR-10-19	-	RLCBSR-10-19	-	-	15.9	Natural UL94 V0 Nylon, RMS-19	1000
RLCBSR-4-01BK	RLCBSRE-4-01BK	RLCBSR-4-01BK	RCBSR-4-01BK	RLCBSR1-4-01BK	6.4	Black UL94 V2 Nylon, RMS-01	1000
RLCBSR-5-01BK	-	RLCBSR-5-01BK	RCBSR-5-01BK	-	7.9	Black UL94 V2 Nylon, RMS-01	1000
RLCBSR-6-01BK	RLCBSRE-6-01BK	RLCBSR-6-01BK	RCBSR-6-01BK	RLCBSR1-6-01BK	9.5	Black UL94 V2 Nylon, RMS-01	1000
RLCBSR-7-01BK	-	RLCBSR-7-01BK	RCBSR-7-01BK	-	11.1	Black UL94 V2 Nylon, RMS-01	1000
RLCBSR-8-01BK	RLCBSRE-8-01BK	RLCBSR-8-01BK	RCBSR-8-01BK	RLCBSR1-8-01BK	12.7	Black UL94 V2 Nylon, RMS-01	1000
RLCBSR-9-01BK	-	RLCBSR-9-01BK	RCBSR-9-01BK	-	14.3	Black UL94 V2 Nylon, RMS-01	1000
RLCBSR-10-01BK	RLCBSRE-10-01BK	RLCBSR-10-01BK	RCBSR-10-01BK	RLCBSR1-10-01BK	15.9	Black UL94 V2 Nylon, RMS-01	1000

## Metric Reverse Locking Circuit Board Support

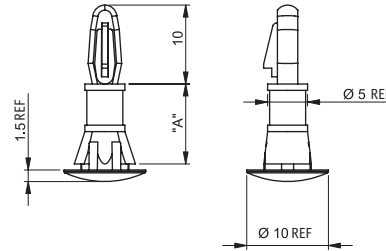


CRLCBSM

Natural UL94 VO Nylon 6/6, RMS-19

Part Number	"A" Standoff Height	Panel Thickness	Std Pack Qty
CRLCBSM-5-19	5	0.8 - 1.2	1000
CRLCBSM-6-19	6	0.8 - 1.2	1000
CRLCBSM-7-19	7	0.8 - 1.2	1000
CRLCBSM-8-19	8	0.8 - 1.2	1000
CRLCBSM-9-19	9	0.8 - 1.2	1000
CRLCBSM-10-19	10	0.8 - 1.2	1000
CRLCBSM-12-19	12	0.8 - 1.2	1000
CRLCBSM-14-19	14	0.8 - 1.2	1000
CRLCBSM-16-19	16	0.8 - 1.2	1000
CRLCBSM1-5-19	5	1.6 - 2.0	1000
CRLCBSM1-6-19	6	1.6 - 2.0	1000
CRLCBSM1-7-19	7	1.6 - 2.0	1000
CRLCBSM1-8-19	8	1.6 - 2.0	1000
CRLCBSM1-9-19	9	1.6 - 2.0	1000
CRLCBSM1-10-19	10	1.6 - 2.0	1000
CRLCBSM1-12-19	12	1.6 - 2.0	1000
CRLCBSM1-14-19	14	1.6 - 2.0	1000
CRLCBSM1-16-19	16	1.6 - 2.0	1000

Top Hole Snap Lock:  $\varnothing 4 \pm 0.08$   
Panel Thickness: 1.6



Bottom Hole Snap-lock:  $\varnothing 6 \pm 0.08$   
Panel Thickness: see table

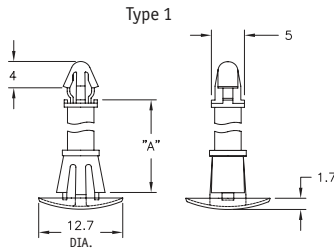
## Cupped Reverse Locking Circuit Board Support



RLCBSK/CRLCBSK

CRLCBSK-2

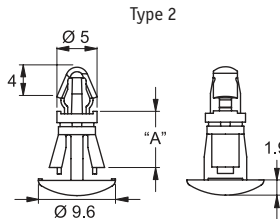
Top Hole: Snap-lock:  $4 \pm 0.08$   
Panel Thickness: 1.6



Bottom Hole Snap-lock:  $5.4 \pm 0.08$   
Panel Thickness: 1 - 1.6

RLCBSK

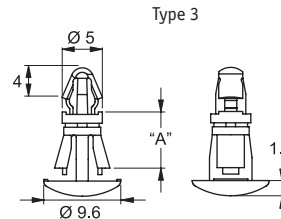
Top Hole: Snap-lock:  $4 \pm 0.08$   
Panel Thickness: 1.6



Bottom Hole Snap-lock:  $5.4 \pm 0.08$   
Panel Thickness: 1.6

RLCBSK-2

Top Hole: Snap-lock:  $4 \pm 0.08$   
Panel Thickness: 1.6



Bottom Hole Snap-lock:  $5.4 \pm 0.08$   
Panel Thickness: 2



Part Number						"A" Standoff Height	Material	Std Pack Qty
CRLCBSK-2 (Type 1)		RLCBSK (Type 2)		RLCBSK-2 (Type 3)				
Natural	Black	Natural	Black	Natural	Black			
-	-	RLCBSK-6-01	RLCBSK-6-01BK	RLCBSK-2-6-01	RLCBSK-2-6-01BK	6	Nylon 6/6, RMS-01	1000
-	-	RLCBSK-7-01	RLCBSK-7-01BK	RLCBSK-2-7-01	RLCBSK-2-7-01BK	7	Nylon 6/6, RMS-01	1000
CRLCBSK-2-8-01	CRLCBSK2-8-01B	RLCBSK-8-01	RLCBSK-8-01BK	RLCBSK-2-8-01	RLCBSK-2-8-01BK	8	Nylon 6/6, RMS-01	1000
CRLCBSK-2-10-01	CRLCBSK2-10-01B	RLCBSK-10-01	RLCBSK-10-01BK	RLCBSK-2-10-01	RLCBSK2-10-01BK	10	Nylon 6/6, RMS-01	1000
CRLCBSK-2-12-01	CRLCBSK2-12-01B	RLCBSK-12-01	RLCBSK-12-01BK	RLCBSK-2-12-01	RLCBSK2-12-01BK	12	Nylon 6/6, RMS-01	1000
CRLCBSK-2-14-01	CRLCBSK2-14-01B	RLCBSK-14-01	RLCBSK-14-01BK	RLCBSK-2-14-01	RLCBSK2-14-01BK	14	Nylon 6/6, RMS-01	1000
CRLCBSK-2-16-01	CRLCBSK2-16-01B	RLCBSK-16-01	RLCBSK-16-01BK	RLCBSK-2-16-01	RLCBSK2-16-01BK	16	Nylon 6/6, RMS-01	1000
-	-	RLCBSK-6-19	-	RLCBSK-2-6-19	-	6	UL94 VO Nylon 6/6, RMS-19	1000
-	-	RLCBSK-7-19	-	RLCBSK-2-7-19	-	7	UL94 VO Nylon 6/6, RMS-19	1000
CRLCBSK-2-8-19	-	RLCBSK-8-19	-	RLCBSK-2-8-19	-	8	UL94 VO Nylon 6/6, RMS-19	1000
CRLCBSK-2-10-19	-	RLCBSK-10-19	-	RLCBSK-2-10-19	-	10	UL94 VO Nylon 6/6, RMS-19	1000
CRLCBSK-2-12-19	-	RLCBSK-12-19	-	RLCBSK-2-12-19	-	12	UL94 VO Nylon 6/6, RMS-19	1000
CRLCBSK-2-14-19	-	RLCBSK-14-19	-	RLCBSK-2-14-19	-	14	UL94 VO Nylon 6/6, RMS-19	1000
CRLCBSK-2-16-19	-	RLCBSK-16-19	-	RLCBSK-2-16-19	-	16	UL94 VO Nylon 6/6, RMS-19	1000

SPLIT PACKS AVAILABLE

email | [sales@mossexpress.co.uk](mailto:sales@mossexpress.co.uk) web | [www.mossexpress.co.uk](http://www.mossexpress.co.uk)

139



# SPECIALIST SPACERS

## Reverse Locking Circuit Board Support

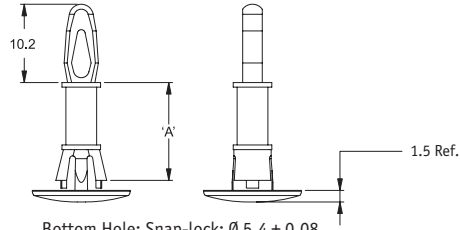
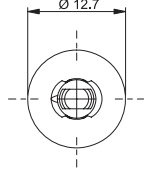
CRCBSRE

Natural



Part Number		"A" Standoff Height	Std Pack Qty
UL94 V-2 Nylon 6/6, RMS-01	UL94 V-0 Nylon 6/6, RMS-19		
CRCBSRE-3-01	CRCBSRE-3-19	4.8	1000
CRCBSRE-4-01	CRCBSRE-4-19	6.4	1000
CRCBSRE-6-01	CRCBSRE-6-19	9.5	1000
CRCBSRE-8-01	CRCBSRE-8-19	12.7	1000
CRCBSRE-10-01	CRCBSRE-10-19	15.9	1000

Top Hole: Snap-fit:  $\varnothing 4 \pm 0.08$   
Panel Thickness: 1.6

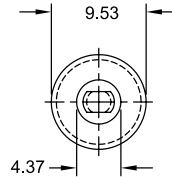
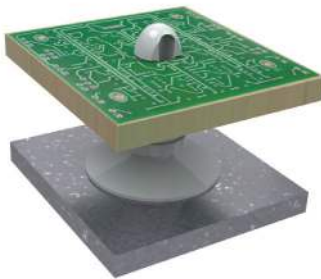


Bottom Hole: Snap-lock:  $\varnothing 5.4 \pm 0.08$   
Panel Thickness: 1.2 - 2

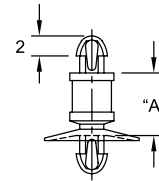
## Cupped Dual Locking Circuit Board Support

CHDLCBST

Natural UL94 V-2 Nylon 6/6, RMS-01



Top Hole:  $\varnothing 2.54 \pm 0.05$   
Panel Thickness: 1.63



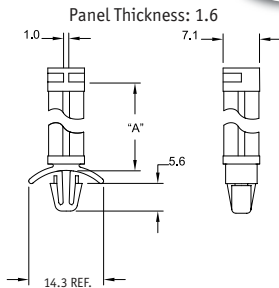
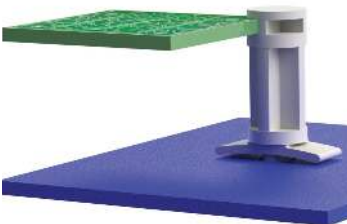
Bottom Hole:  $\varnothing 2.54 \pm 0.05$   
Panel Thickness: 1.57

Part Number	"A" Standoff Height	Std Pack Qty
CHDLCBST-2-01	3.18	1000
CHDLCBST-3-01	4.76	1000
CHDLCBST-4-01	6.35	1000
CHDLCBST-5-01	7.94	1000
CHDLCBST-6-01	9.53	1000
CHDLCBST-7-01	11.11	1000
CHDLCBST-8-01	12.7	1000
CHDLCBST-9-01	14.29	1000
CHDLCBST-10-01	15.88	1000

## Locking Corner Edge Circuit Board Support

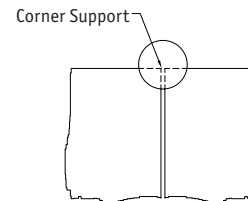
CHCBS

Natural UL94 V2 Nylon 6/6, RMS-01



Bottom Hole: Snap-lock:  $\varnothing 4.8$   
Panel Thickness: 1.6

Typical Application

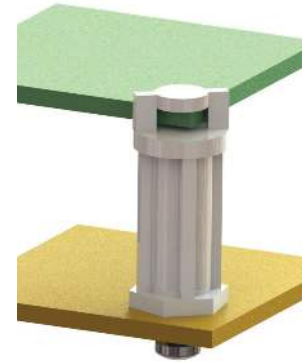


Part Number	"A" Standoff Height	Std Pack Qty
CHCBS-3-01	4.8	1000
CHCBS-4-01	6.4	1000
CHCBS-6-01	9.5	1000
CHCBS-8-01	12.7	1000
CHCBS-10-01	15.9	1000
CHCBS-12-01	19.1	1000
CHCBS-14-01	22.2	1000

**Corner Edge Holding  
Circuit Board Support**

TCEHCBS/MSCEHCBS

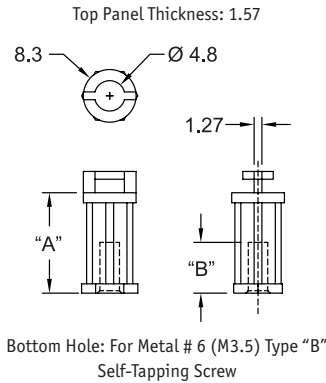
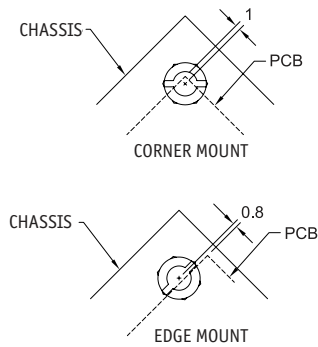
Natural Nylon 6/6, RMS-01



Part Number	"A" Standoff Height	"B"	Type	Std Pack Qty
TCEHCBS-4-01	6.4	5.2	1	1000
TCEHCBS-6-01	9.5	7.9	1	1000
TCEHCBS-8-01	12.7	7.9	1	1000
TCEHCBS-10-01	15.9	7.9	1	1000
TCEHCBS-12-01	19.1	7.9	1	1000
TCEHCBS-14-01	22.2	7.9	1	1000
MSCEHCBS-4-01	6.4	5.2	2	1000
MSCEHCBS-6-01	9.5	7.9	2	1000
MSCEHCBS-8-01	12.7	7.9	2	1000
MSCEHCBS-10-01	15.9	7.9	2	1000
MSCEHCBS-12-01	19.1	7.9	2	1000
MSCEHCBS-14-01	22.2	7.9	2	1000

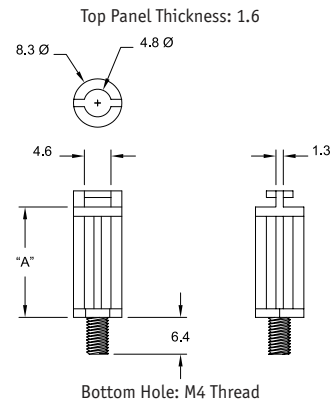
**TCEHCBS**

Type 1



**MSCEHCBS**

Type 2



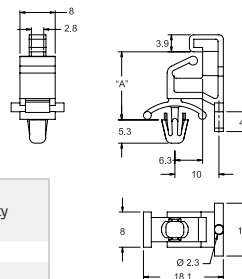
**Universal Board Mount**

UBM & UBMC

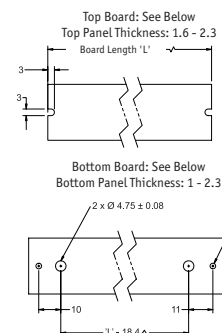
Natural



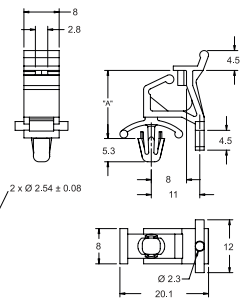
**UBM  
Type 1**



**MOUNTING LAYOUT**



**UBMC  
Type 2**



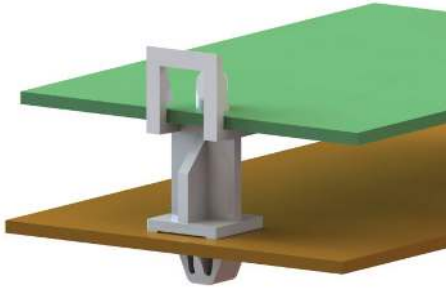
Part Number		"A" Standoff Height	Std Pack Qty
UBM (Type 1)	UBMC (Type 2)		
Nylon 6/6, RMS-01	Nylon 6/6, RMS-01	12.3	500
UBM-12.3M-01	UBMC-12.3M-01		
UBM-15.5M-01	UBMC-15.5M-01	15.5	500
UBM-22.0M-01	UBMC-22.0M-01	22	500

**SPLIT PACKS AVAILABLE**

email | [sales@mossexpress.co.uk](mailto:sales@mossexpress.co.uk)

web | [www.mossexpress.co.uk](http://www.mossexpress.co.uk)

141



**Hinged Locking Circuit Board Support System**

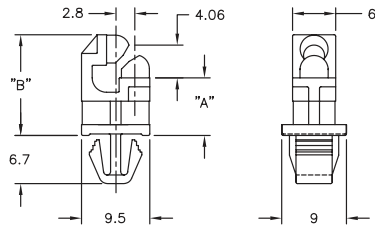
HLCBSE2 & PCBEHE2, UL94 V2 Nylon 6/6, RMS-01

Natural

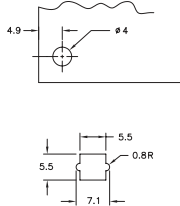


Part Number	"A" Standoff Height	"B"	Part Number	"A" Standoff Height	"B"	Std Pack Qty
HLCBSE2-4M-01	4	10	PCBEHE2-4M-01	4	13.1	1000
HLCBSE2-6M-01	6	12	PCBEHE2-6M-01	6	15.1	1000
HLCBSE2-8M-01	8	14	PCBEHE2-8M-01	8	17.1	1000
HLCBSE2-10M-01	10	16	PCBEHE2-10M-01	10	19.1	1000
HLCBSE2-12M-01	12	18	PCBEHE2-12M-01	12	21.1	1000
HLCBSE2-14M-01	14	20	PCBEHE2-14M-01	14	23.1	1000
HLCBSE2-25M-01	25	31	PCBEHE2-25M-01	25	34.1	1000
HLCBSE2-30M-01	30	36	PCBEHE2-30M-01	30	39.1	1000

HLCBSE2

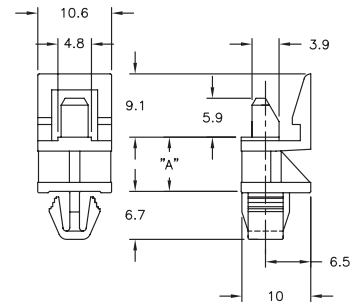


Top Hole:  $\phi 4$   
Panel Thickness: 1.6



Bottom Hole: See Above  
Panel Thickness: 1.2 - 1.8

PCBEHE2



**Edge Holding Circuit Board Support**

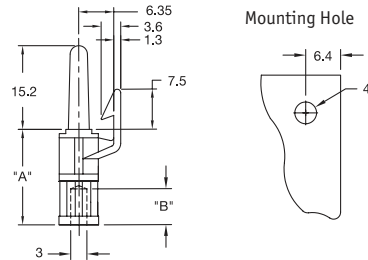
TEHCBS

Natural

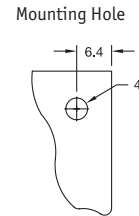


Part Number		"A"	"B"	Std Pack Qty
UL94 V2 Nylon 6/6, RMS-01	UL94 V0 Nylon 6/6, RMS-19			
TEHCBS-4-01	TEHCBS-4-19	6.4	6.4	1000
TEHCBS-5-01	TEHCBS-5-19	7.9	5.2	1000
TEHCBS-6-01	TEHCBS-6-19	9.5	6.4	1000
TEHCBS-8-01	TEHCBS-8-19	12.7	6.4	1000
TEHCBS-10-01	TEHCBS-10-19	15.9	6.4	1000
TEHCBS-12-01	TEHCBS-12-19	19.1	6.4	1000
TEHCBS-14-01	TEHCBS-14-19	22.2	6.4	1000
TEHCBS-16-01	TEHCBS-16-19	25.4	6.4	1000

Top Hole:  $4 \pm 0.08$   
Panel Thickness: 1.57



Bottom Hole: For Metal #6 Self-Tapping Screw



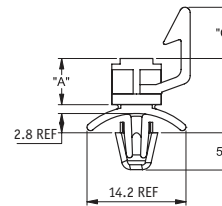
**Edge Holding Circuit Board Support, No Nose**

EHCBS-9/10

Natural, UL94 V2 Nylon 6/6, RMS-01



Part Number		"A" Standoff Height	Std Pack Qty
"C" = 6.1	"C" = 7.5		
EHCBS-9-5-01	EHCBS-10-5-01	7.9	1000
EHCBS-9-6-01	EHCBS-10-6-01	9.5	1000
EHCBS-9-8-01	EHCBS-10-8-01	12.7	1000
EHCBS-9-10-01	EHCBS-10-10-01	15.9	1000
EHCBS-9-12-01	EHCBS-10-12-01	19.1	1000
EHCBS-9-14-01	EHCBS-10-14-01	22.2	1000
EHCBS-9-16-01	EHCBS-10-16-01	25.4	1000



Bottom Hole:  
Snap-lock:  $\phi 4.75 \pm 0.08$   
Panel Thickness: 0.79-1.98

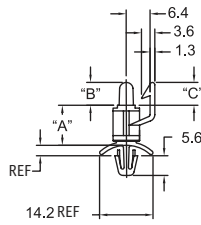


**Edge Holding Circuit Board Support**

**EHCBS**  
Natural

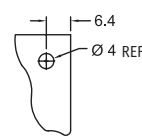


**Type 1**  
Top Hole: Fit:  $\varnothing 4 \pm 0.08$   
Panel Thickness: 1.57

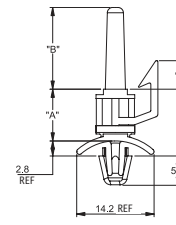


Bottom Hole: Snap-lock:  $\varnothing 4.75 \pm 0.08$   
Panel Thickness: 0.79-1.98

Mounting Hole



**Type 2**



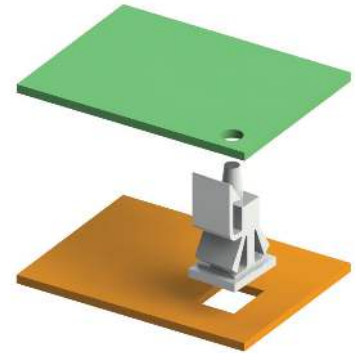
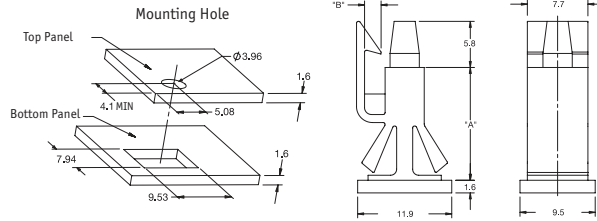
Bottom Hole: Snap-lock:  $\varnothing 4.75 \pm 0.08$   
Panel Thickness: 0.79-1.98



Part Number								"A"	Std Pack Qty
Type 1				Type 2					
"B" = 15.2 "C" = 7.5		"B" = 6.1 "C" = 6.1		"B" = 6.1 "C" = 7.5		"B" = 15.2 "C" = 6.1			
UL94 V2	UL94 V0	UL94 V2	UL94 V0	UL94 V2	UL94 V0	UL94 V2	UL94 V0		
Nylon 6/6, RMS-01	Nylon 6/6, RMS-19	Nylon 6/6, RMS-01	Nylon 6/6, RMS-19	Nylon 6/6, RMS-01	Nylon 6/6, RMS-19	Nylon 6/6, RMS-01	Nylon 6/6, RMS-19		
EHCBS-5-01	EHCBS-5-19	EHCBS-6-5-01	EHCBS-6-5-19	EHCBS-7-5-01	EHCBS-7-5-19	EHCBS-8-5-01	EHCBS-8-5-19	7.9	1000
EHCBS-6-01	EHCBS-6-19	EHCBS-6-6-01	EHCBS-6-6-19	EHCBS-7-6-01	EHCBS-7-6-19	EHCBS-8-6-01	EHCBS-8-6-19	9.5	1000
EHCBS-8-01	EHCBS-8-19	EHCBS-6-8-01	EHCBS-6-8-19	EHCBS-7-8-01	EHCBS-7-8-19	EHCBS-8-8-01	EHCBS-8-8-19	12.7	1000
EHCBS-10-01	EHCBS-10-19	EHCBS-6-10-01	EHCBS-6-10-19	EHCBS-7-10-01	EHCBS-7-10-19	EHCBS-8-10-01	EHCBS-8-10-19	15.9	1000
EHCBS-12-01	EHCBS-12-19	EHCBS-6-12-01	EHCBS-6-12-19	EHCBS-7-12-01	EHCBS-7-12-19	EHCBS-8-12-01	EHCBS-8-12-19	19.1	1000
EHCBS-14-01	EHCBS-14-19	EHCBS-6-14-01	EHCBS-6-14-19	EHCBS-7-14-01	EHCBS-7-14-19	EHCBS-8-14-01	EHCBS-8-14-19	22.2	1000
EHCBS-16-01	EHCBS-16-19	EHCBS-6-16-01	EHCBS-6-16-19	EHCBS-7-16-01	EHCBS-7-16-19	EHCBS-8-16-01	EHCBS-8-16-19	25.4	1000

**Reverse Locking Edge Holding Circuit Board Support**

**RLEHCBS**  
Black, UL94 V2 Nylon 6/6, RMS-01



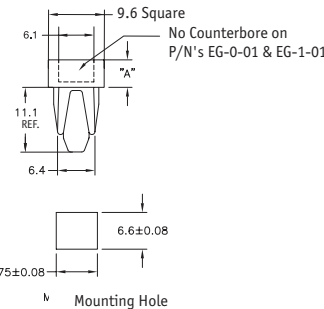
Part number	"A" Standoff Height	"B"	Std Pack Qty
RLEHCBS-5-01BK	9.5	1.5	1000
RLEHCBS-6-01BK	11.1	1.5	1000
RLEHCBS-7-01BK	12.7	2.1	1000
RLEHCBS-8-01BK	14.3	2.1	1000

**Expansion Grommet**

**EG**  
Natural, Nylon 6/6, RMS-01



Top Hole: For 4.2 mm or 4.8 mm  
Self-Tapping Sheet Metal Screw



Panel Thickness: 0.51 - 1.93

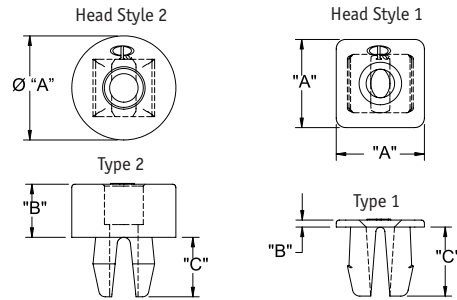
Part Number	"A" Standoff Height	Std Pack Qty
EG-0-01	0.8	1000
EG-1-01	1.6	1000
EG-2-01	3.2	1000
EG-3-01	4.8	1000
EG-4-01	6.4	1000
EG-5-01	7.9	1000
EG-6-01	9.5	1000
EG-7-01	11.1	1000
EG-8-01	12.7	1000

# SPECIALIST SPACERS

## Self-Retaining Screw Grommet

SRS

Natural, Nylon 6/6, RMS-01



Part number	"A" Head Size	"B" Head Thickness	"C" Prong Length	Mounting Hole Size (Square)	Panel Thickness Range	Metal Self-Tapping Screw Size (mm)	Type	Head Style	Std Pack Qty
SRS6-04-01	9.7x9.7	1	7.1	6.22-6.48	0.79-3.18	3.5	1	1	1000
SRS6-1D	12.4 Dia.	6.1-6.6	7.1	7.14-7.26	*0.79-2.77	4.2 or 4.8	2	2	1000
SRS6-2D	12.4 Dia.	7.8-8.1	7.1	7.14-7.26	*0.79-2.77	4.2 or 4.8	2	2	1000
SRS6-3D	12.4 Dia.	9.1-9.9	7.1	7.14-7.26	*0.79-2.77	4.2 or 4.8	2	2	1000
SRS6-4D	12.4 Dia.	12.3-13.1	7.1	7.14-7.26	*0.79-2.77	4.2 or 4.8	2	2	1000
SRS6-5D	12.4 Dia.	15.5-16.3	7.1	7.14-7.26	*0.79-2.77	4.2 or 4.8	2	2	1000
SRS6-6D	12.4 Dia.	17.1-17.8	7.1	7.14-7.26	*0.79-2.77	4.2 or 4.8	2	2	1000
SRS6-7S	10.3x10.3	0.7 - 1	8.3	6.99-7.37	0.79-3.3	4.2 or 4.8	1	1	1000
SRS6-8S	10.3x10.3	1.4 - 1.7	8.3	6.99-7.37	0.79-3.3	4.2 or 4.8	1	1	1000
SRS6-9D	12.7 Dia.	2.4-2.6	8.3	7.11-7.49	0.79-3.96	4.2 or 4.8	1	2	1000
SRS6-10D	12.7 Dia.	3.2-3.4	8.3	7.11-7.49	0.79-3.96	4.2 or 4.8	1	2	1000
SRS6-11D	12.7 Dia.	9.1-9.9	8.3	7.11-7.49	0.79-3.96	4.2 or 4.8	1	2	1000

\*At minimum panel thickness, part will only function with a 4.8 mm screw.

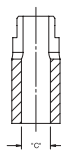
## Self-Retaining Spacer

SRS

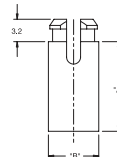
Natural



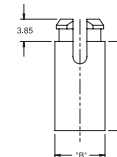
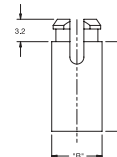
Type 1  
Top Hole: Snap-lock: Ø 4.7  
Panel Thickness: 1.57



Type 2  
Top Hole: Snap-lock: Ø 5.9  
Panel Thickness: 1.57



Type 3  
Top Hole: Snap-lock: Ø 5.9  
Panel Thickness: 2.2



Part Number				"A" Standoff Height	Material	Std Pack Qty
Type 1	Type 2		Type 3			
For M3 Screw	For M3.5 Screw	For M4 Screw				
"B" = 6.4 "C" = 3.2	"B" = 7.1 "C" = 3.9	"B" = 7.1 "C" = 4.3				
SRS4-2-01	-	SRS8-2-01		3.2	Natural UL94 V2 Nylon 6/6, RMS-01	1000
SRS4-3-01	-	SRS8-3-01	SRS8-2-3-01	4.8	Natural UL94 V2 Nylon 6/6, RMS-01	1000
SRS4-4-01	SRS6-4-01	SRS8-4-01	SRS8-2-4-01	6.4	Natural UL94 V2 Nylon 6/6, RMS-01	1000
SRS4-5-01	SRS6-5-01	SRS8-5-01	SRS8-2-5-01	7.9	Natural UL94 V2 Nylon 6/6, RMS-01	1000
SRS4-6-01	SRS6-6-01	SRS8-6-01	SRS8-2-6-01	9.5	Natural UL94 V2 Nylon 6/6, RMS-01	1000
SRS4-7-01	SRS6-7-01	SRS8-7-01	SRS8-2-7-01	11.1	Natural UL94 V2 Nylon 6/6, RMS-01	1000
SRS4-8-01	SRS6-8-01	SRS8-8-01	SRS8-2-8-01	12.7	Natural UL94 V2 Nylon 6/6, RMS-01	1000
SRS4-10-01	SRS6-10-01	SRS8-10-01	SRS8-2-10-01	15.9	Natural UL94 V2 Nylon 6/6, RMS-01	1000
SRS4-12-01	SRS6-12-01	SRS8-12-01	SRS8-2-12-01	19.1	Natural UL94 V2 Nylon 6/6, RMS-01	1000
SRS4-14-01	SRS6-14-01	SRS8-14-01	SRS8-2-14-01	22.2	Natural UL94 V2 Nylon 6/6, RMS-01	1000
SRS4-16-01	SRS6-16-01	SRS8-16-01	SRS8-2-16-01	25.4	Natural UL94 V2 Nylon 6/6, RMS-01	1000
SRS4-2-19	-	SRS8-2-19	SRS8-2-2-19	3.2	Natural UL94 V0 Nylon 6/6, RMS-19	1000
SRS4-3-19	-	SRS8-3-19	SRS8-2-3-19	4.8	Natural UL94 V0 Nylon 6/6, RMS-19	1000
SRS4-4-19	SRS6-4-19	SRS8-4-19	SRS8-2-4-19	6.4	Natural UL94 V0 Nylon 6/6, RMS-19	1000
SRS4-5-19	SRS6-5-19	SRS8-5-19	SRS8-2-5-19	7.9	Natural UL94 V0 Nylon 6/6, RMS-19	1000
SRS4-6-19	SRS6-6-19	SRS8-6-19	SRS8-2-6-19	9.5	Natural UL94 V0 Nylon 6/6, RMS-19	1000
SRS4-7-19	SRS6-7-19	SRS8-7-19	SRS8-2-7-19	11.1	Natural UL94 V0 Nylon 6/6, RMS-19	1000
SRS4-8-19	SRS6-8-19	SRS8-8-19	SRS8-2-8-19	12.7	Natural UL94 V0 Nylon 6/6, RMS-19	1000
SRS4-10-19	SRS6-10-19	SRS8-10-19	SRS8-2-10-19	15.9	Natural UL94 V0 Nylon 6/6, RMS-19	1000
SRS4-12-19	SRS6-12-19	SRS8-12-19	SRS8-2-12-19	19.1	Natural UL94 V0 Nylon 6/6, RMS-19	1000
SRS4-14-19	SRS6-14-19	SRS8-14-19	SRS8-2-14-19	22.2	Natural UL94 V0 Nylon 6/6, RMS-19	1000
SRS4-16-19	SRS6-16-19	SRS8-16-19	SRS8-2-16-19	25.4	Natural UL94 V0 Nylon 6/6, RMS-19	1000

## Stackable Self-Retaining Spacer

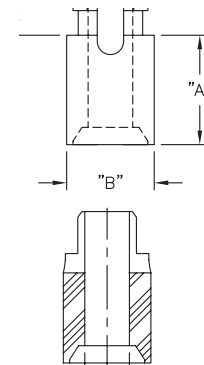
SSRS

Natural, UL94 V2 Nylon 6/6, RMS-01



Top Hole: Locking: See Table  
Panel Thickness: 1.57

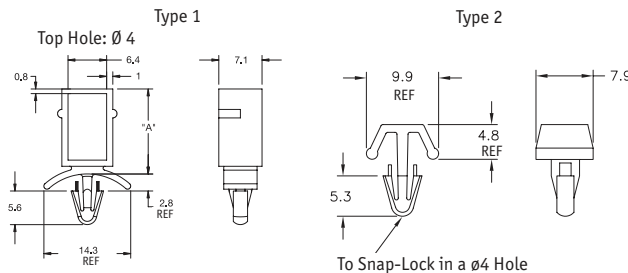
Part Number		"A" Standoff Height	Std Pack Qty
For M3 Screw	For M4 Screw		
"B" = 6.6 "C" = 3.3 Ø Hole = 4.75±0.08	"B" = 7.9 "C" = 3.9 Ø Hole = 5.94±0.08	"B" = 7.9 "C" = 4.3 Ø Hole = 5.94±0.08	
SSRS4-2-01	-	-	3.2
SSRS4-3-01	-	-	4.8
SSRS4-4-01	SSRS6-4-01	SSRS8-4-01	6.4
SSRS4-5-01	SSRS6-5-01	SSRS8-5-01	7.9
SSRS4-6-01	SSRS6-6-01	SSRS8-6-01	9.5
SSRS4-7-01	SSRS6-7-01	SSRS8-7-01	11.1
SSRS4-8-01	SSRS6-8-01	SSRS8-8-01	12.7
SSRS4-10-01	SSRS6-10-01	SSRS8-10-01	15.9
-	SSRS6-12-01	SSRS8-12-01	19.1
-	SSRS6-14-01	SSRS8-14-01	22.2
-	SSRS6-16-01	SSRS8-16-01	25.4



## Circuit Board Stacking Spacer

CBSS

Natural



Bottom Hole: Snap-lock: 4 ± 0.08  
Panel Thickness: 0.79 - 1.98

Spacer (Type 1)		Mounting Button (Type 2)		Std Pack Qty
Natural Nylon 6/6, RMS-01	"A" Standoff Height	Natural UL94 V2 Nylon 6/6, RMS-01	Total Holding Thickness	
CBSS-8-01	10.9	MB-1-156	0.8 - 2.4	1000
CBSS-10-01	14	MB-1-156	0.8 - 2.4	1000
CBSS-12-01	17.3	MB-1-156	0.8 - 2.4	1000
CBSS-14-01	20.3	MB-1-156	0.8 - 2.4	1000

## Collar Space

CSP & CSR

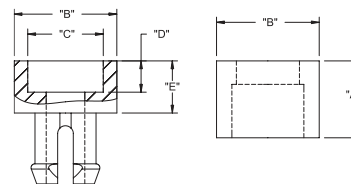
Natural UL94 V2 Nylon 6/6, RMS-01



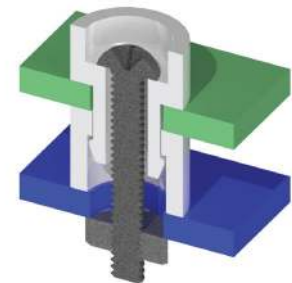
CSP (PIN)

CSR (RETAINER)

Top Hole: See Table  
Panel Thickness: 2.36 Max.



Bottom Hole: See Table



Retainer

Part Number	"A"	"B"	Mating Pin (CSP) No.	Std Pack Qty
CSR4-224-01	5.7	7.5	CSP4-01	1000
CSR4-295-01	7.5	7.5	CSP4-01	1000
CSR4-394-01	10	7.5	CSP4-01	1000
CSR4-591-01	15	7.5	CSP4-01	1000
CSR4-787-01	20	7.5	CSP4-01	1000
CSR6-224-01	5.7	10	CSP6-01	1000
CSR6-295-01	7.5	10	CSP6-01	1000
CSR6-394-01	10	10	CSP6-01	1000
CSR6-591-01	15	10	CSP6-01	1000
CSR6-787-01	20	10	CSP6-01	1000
CSR8-224-01	5.7	11	CSP8-01	1000
CSR8-295-01	7.5	11	CSP8-01	1000
CSR8-394-01	10	11	CSP8-01	1000
CSR8-591-01	15	11	CSP8-01	1000
CSR8-787-01	20	11	CSP8-01	1000

Pin

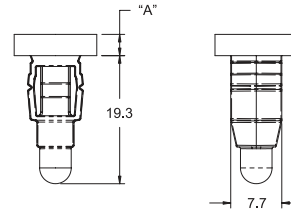
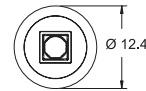
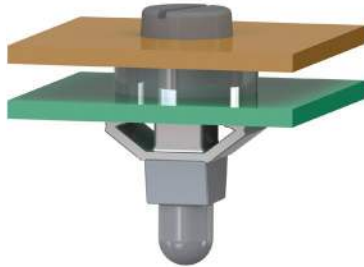
Part Number	"B"	"C" Dia.	"D" Ref.	"E" Ref.	Mounting Hole Dia. ±0.08	Binding Head Type Screw Size	Std Pack Qty
CSP4-01	7.5	-	-	2.5	5	M2.5	1000
CSP6-01	10	7.4	3	5.1	6.5	M3	1000
CSP8-01	11.1	8.4	3.6	5.6	6.9	M4	1000

# SPECIALIST SPACERS

## Toggle Fixer

TFR

Natural, UL94 V2 Nylon 6/6, RMS-01



Part Number	"A"	Panel Thickness	Mounting Hole Ø	Std Pack Qty
TFR-1	0.8	1.5 - 2.8	8 ± 0.1 Square	1000
TFR-2	3.2	0.5 - 2.8	8 ± 0.1 Square	1000
TFR-3	4.8	0.5 - 2.8	8 ± 0.1 Square	1000

Accepts Metal Self-Tapping Screw Size 4.2 mm

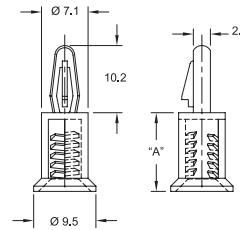
## Stud Fitting Circuit Board Support

SFCBS

Natural, Nylon 6/6, RMS-01



Top Hole: Snap-lock:  $4 \pm 0.08$   
Panel Thickness: 1.57



Bottom Hole: To fit a metal  
M4 screw or stud



Part Number	"A"	Stud Length	Std Pack Qty
SFCBS-M4-10M-01	10	8	1000
SFCBS-M4-12M-01	12	10	1000
SFCBS-M4-14M-01	14	12	1000
SFCBS-M4-16M-01	16	14	1000
SFCBS-M4-18M-01	18	16	1000
SFCBS-M4-20M-01	20	18	1000

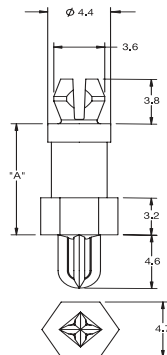
## Mini Support Post Self-Threading

MSPMST

Clear, Nylon 6/6, RMS-01



Top Hole: Snap-fit:  $3.18 \pm 0.05$   
Panel Thickness: 1.57

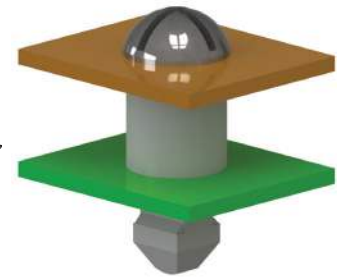
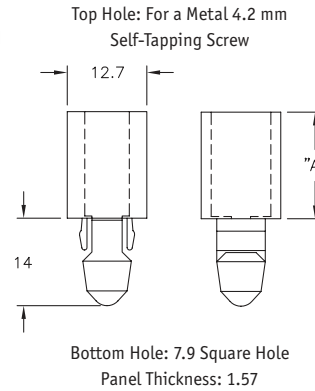


Part Number	"A" Standoff Height	Std Pack Qty
MSPMST-2-01	3.2	1000
MSPMST-3-01	4.8	1000
MSPMST-4-01	6.4	1000
MSPMST-5-01	7.9	1000
MSPMST-6-01	9.5	1000
MSPMST-7-01	11.1	1000
MSPMST-8-01	12.7	1000
MSPMST-9-01	14.3	1000
MSPMST-10-01	15.9	1000

**Spacer Nut**

SN

Clear, Polycarbonate, RMS-03

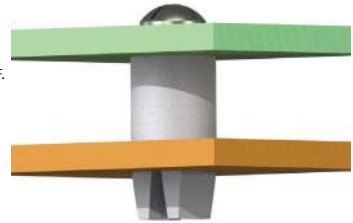
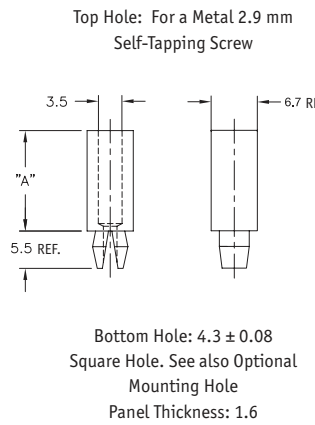


Part Number	"A" ± 0.4	Std Pack Qty
SN-125	3.2	1000
SN-187	4.8	1000
SN-250	6.4	1000
SN-312	8	1000
SN-375	9.5	1000
SN-500	12.7	1000

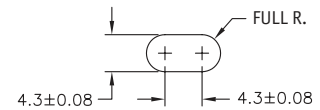
**Spacer Nut**

MSNE

Natural



Optional Mounting

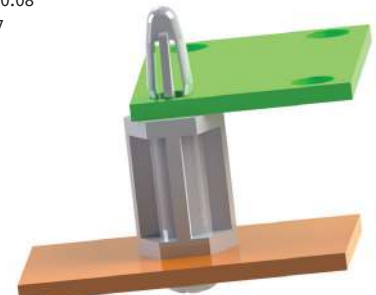
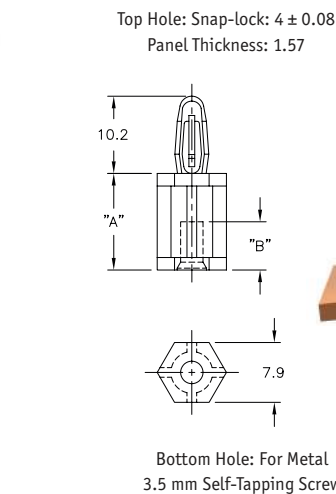


Nylon 6/6, RMS-01	UL94 V-0 Nylon 6/6, RMS-19	"A" Standoff Height	Std Pack Qty
MSNE-2-01	MSNE-2-19	3.2	1000
MSNE-4M-01	MSNE-4M-19	4	1000
MSNE-3-01	MSNE-3-19	4.8	1000
MSNE-6M-01	MSNE-6M-19	6	1000
MSNE-4-01	MSNE-4-19	6.4	1000
MSNE-5-01	MSNE-5-19	7.9	1000
MSNE-8M-01	MSNE-8M-19	8	1000
MSNE-6-01	MSNE-6-19	9.5	1000
MSNE-10M-01	MSNE-10M-19	10	1000
MSNE-12M-01	MSNE-12M-19	12	1000
MSNE-8-01	MSNE-8-19	12.7	1000
MSNE-10-01	MSNE-10-19	15.9	1000
MSNE-12-01	MSNE-12-19	19.1	1000
MSNE-16-01	MSNE-16-19	25.4	1000

**Circuit Board Support Self-Tapping**

TCBS

Natural



UL94 V2 Nylon 6/6, RMS-01	UL94 V0 Nylon 6/6, RMS-19	"A" Standoff Height	"B"	Std Pack Qty
TCBS-4-01	TCBS-4-19	6.4	5.2	1000
TCBS-6-01	TCBS-6-19	9.5	7.9	1000
TCBS-8-01	TCBS-8-19	12.7	7.9	1000
TCBS-10-01	TCBS-10-19	15.9	7.9	1000
TCBS-12-01	TCBS-12-19	19.1	7.9	1000
TCBS-14-01	TCBS-14-19	22.2	7.9	1000
TCBS-16-01	TCBS-16-19	25.4	7.9	1000
TCBS-18-01	TCBS-18-19	28.6	7.9	1000
TCBS-20-01	TCBS-20-19	31.7	7.9	1000
TCBS-22.5-01	TCBS-22.5-19	35.7	7.9	1000

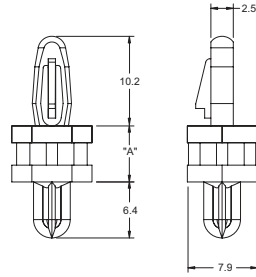
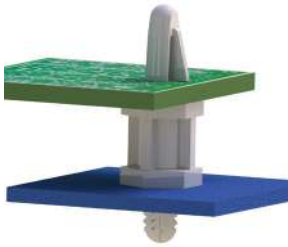


# THREADED/METAL SPACERS

## Self Threading Circuit Board Support

SCBSST

Natural, UL94 V-2 Nylon 6/6, RMS-01



Part Number	"A" Standoff Height	Std Pack Qty
SCBSST-4-01	6.4	1000
SCBSST-6-01	9.5	1000
SCBSST-8-01	12.7	1000
SCBSST-10-01	15.9	1000
SCBSST-12-01	19.1	1000
SCBSST-14-01	22.2	1000
SCBSST-16-01	25.4	1000
SCBSST-18-01	28.6	1000
SCBSST-22.5-01	35.7	1000

Top Hole: Snap-Lock: 4  
Panel Thickness: 1.6

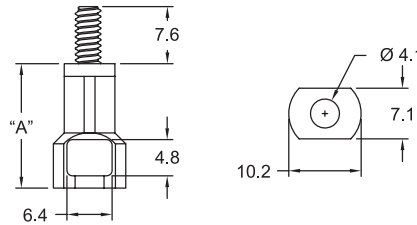
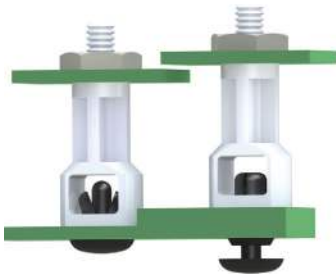
Bottom Hole: Self-Thread into a #8 or M4 Threaded Hole or Nut Panel Thickness: 1.6 Minimum Engagement



## Snap Rivet Studded Circuit Board Support

SRSCBS

Natural



Bottom Hole: Snap Rivet: 4.1 - 4.2  
Panel Thickness: See Rivet Table

Part Number				"A" Standoff Height	Std Pack Qty
Thread #6-32	Thread M3	Thread M4			
	Nylon 6/6, RMS-01	UL94 V0 Nylon 6/6, RMS-19			
SRSCBS-6-01	SRSCBS-M3-6-01	SRSCBS-M4-6-01	SRSCBS-M4-6-19	9.5	1000
SRSCBS-7-01	SRSCBS-M3-7-01	SRSCBS-M4-7-01	SRSCBS-M4-7-19	11.1	1000
SRSCBS-8-01	SRSCBS-M3-8-01	SRSCBS-M4-8-01	SRSCBS-M4-8-19	12.7	1000
SRSCBS-10-01	SRSCBS-M3-10-01	SRSCBS-M4-10-01	SRSCBS-M4-10-19	15.9	1000
SRSCBS-12-01	SRSCBS-M3-12-01	SRSCBS-M4-12-01	SRSCBS-M4-12-19	19.1	1000
SRSCBS-14-01	SRSCBS-M3-14-01	SRSCBS-M4-14-01	SRSCBS-M4-14-19	22.2	1000
SRSCBS-16-01	SRSCBS-M3-16-01	SRSCBS-M4-16-01	SRSCBS-M4-16-19	25.4	1000

### Rivets

Use Rivet Part Number	For Panel Thickness
SR-4050	0.7-1.6
SR-4060	1.5-2.7
SR-4070	2.7-3.7
SR-4080	3.7-4.7
SR-4090	4.7-5.7
SR-4100	5.7-6.7
SR-4120	7.2-8.7



## Locking Circuit Board Support Threaded Male

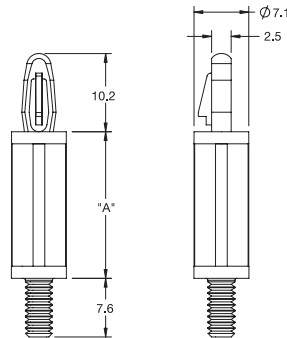
LCBS-TM

Natural

• M4 Thread



Top Hole: Snap-lock: 4  
Panel Thickness: 1.57



Part Number		"A" Standoff Height	Std Pack Qty
Natural UL94 V2 Nylon 6/6, RMS-01	Natural UL94 V0 Nylon 6/6, RMS-19		
LCBS-TM-M4-4-01	LCBS-TM-M4-4-19	6.4	1000
LCBS-TM-M4-6-01	LCBS-TM-M4-6-19	9.5	1000
LCBS-TM-M4-8-01	LCBS-TM-M4-8-19	12.7	1000
LCBSTM-M4-10-01	LCBSTM-M4-10-19	15.9	1000
LCBSTM-M4-12-01	LCBSTM-M4-12-19	19.1	1000
LCBSTM-M4-14-01	LCBSTM-M4-14-19	22.2	1000
LCBSTM-M4-16-01	LCBSTM-M4-16-19	25.4	1000



**Studded Circuit Board**

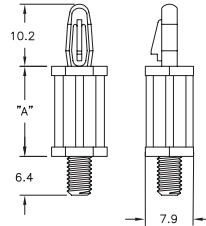
SCBS/SCBSM/SCBS/MSCBSM

Natural



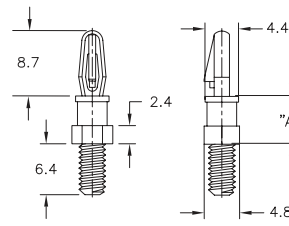
Top Hole: Snap-lock:  $4 \pm 0.08$   
Panel Thickness: 1.57

Type 1



Top Hole: Snap-lock:  $3.18 \pm 0.05$   
Panel Thickness: 1.57

Type 2



Part Number								"A" Standoff Height	Std Pack Qty
Thread: #6-32	Thread: #8-32	Thread: M3		Thread: M4					
SCBSM (Type 2)	SCBS (Type 1)	MSCBSM (Type 2)		MSCBS (Type 1)		MSCBSM (Type 2)			
UL94 V2 Nylon 6/6, RMS-01	UL94 V2 Nylon 6/6, RMS-01	UL94 V2 Nylon 6/6, RMS-01	UL94 V0 Nylon 6/6, RMS-19	UL94 V2 Nylon 6/6, RMS-01	UL94 V0 Nylon 6/6, RMS-19	UL94 V2 Nylon 6/6, RMS-01	UL94 V0 Nylon 6/6, RMS-01		
SCBSM-632-2-01	-	MSCBSM-M3-2-01	MSCBSM-M3-2-19	-	-	MSCBSM-M4-2-01	MSCBSM-M4-2-19	3.2	1000
SCBSM-632-3-01	-	MSCBSM-M3-3-01	MSCBSM-M3-3-19	-	-	MSCBSM-M4-3-01	MSCBSM-M4-3-19	4.8	1000
SCBSM-632-4-01	SCBS-4-01	MSCBSM-M3-4-01	MSCBSM-M3-4-19	MSCBS-4-01	MSCBS-4-19	MSCBSM-M4-4-01	MSCBSM-M4-4-19	6.4	1000
SCBSM-632-5-01	-	MSCBSM-M3-5-01	MSCBSM-M3-5-19	-	-	MSCBSM-M4-5-01	MSCBSM-M4-5-19	7.9	1000
SCBSM-632-6-01	SCBS-6-01	MSCBSM-M3-6-01	MSCBSM-M3-6-19	MSCBS-6-01	MSCBS-6-19	MSCBSM-M4-6-01	MSCBSM-M4-6-19	9.5	1000
SCBSM-632-7-01	-	MSCBSM-M3-7-01	MSCBSM-M3-7-19	-	-	MSCBSM-M4-7-01	MSCBSM-M4-7-19	11.1	1000
SCBSM-632-8-01	SCBS-8-01	MSCBSM-M3-8-01	MSCBSM-M3-8-19	MSCBS-8-01	MSCBS-8-19	MSCBSM-M4-8-01	MSCBSM-M4-8-19	12.7	1000
SCBSM-632-9-01	-	MSCBSM-M3-9-01	MSCBSM-M3-9-19	-	-	MSCBSM-M4-9-01	MSCBSM-M4-9-19	14.3	1000
SCBSM-632-10-01	SCBS-10-01	MSCBSM-M3-10-01	MSCBSM-M3-10-19	MSCBS-10-01	MSCBS-10-19	MSCBSM-M4-10-01	MSCBSM-M4-10-19	15.9	1000
-	SCBS-12-01	-	-	MSCBS-12-01	MSCBS-12-19	-	-	19.1	1000
-	SCBS-14-01	-	-	MSCBS-14-01	MSCBS-14-19	-	-	22.2	1000
-	SCBS-16-01	-	-	MSCBS-16-01	MSCBS-16-19	-	-	25.4	1000
-	SCBS-18-01	-	-	MSCBS-18-01	MSCBS-18-19	-	-	28.6	1000
-	SCBS-22.5-01	-	-	MSCBS-22.5-01	MSCBS-22.5-19	-	-	35.7	1000

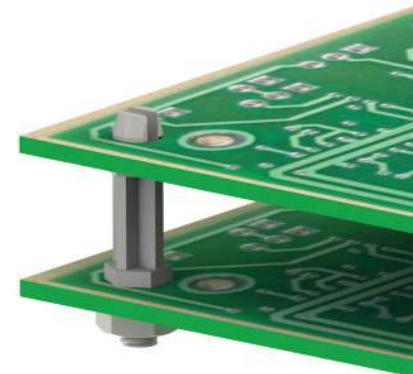
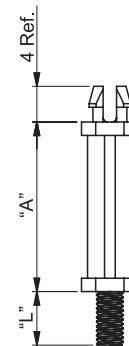
**Studded Circuit Board**

TCBNS

Black, UL94 V2 Nylon 6/6, RMS-172



Top Hole: See Table  
Panel Thickness: 1.6



Part Number			"A" Standoff Height	Std Pack Qty
Top Hole: Ø 3 Thread: M2.5 "L" Thread Length: 6	Top Hole: Ø 3 Thread: M3 "L" Thread Length: 6	Top Hole: Ø 3.8 Thread: M4 "L" Thread Length: 8		
TCBNS-M2.5-3	TCBNS-M3-3	TCBNS-M4-3	3	1000
TCBNS-M2.5-5	TCBNS-M3-5	TCBNS-M4-5	5	1000
TCBNS-M2.5-6	TCBNS-M3-6	TCBNS-M4-6	6	1000
TCBNS-M2.5-8	TCBNS-M3-8	TCBNS-M4-8	8	1000
TCBNS-M2.5-10	TCBNS-M3-10	TCBNS-M4-10	10	1000
TCBNS-M2.5-12	TCBNS-M3-12	TCBNS-M4-12	12	1000
TCBNS-M2.5-15	TCBNS-M3-15	TCBNS-M4-15	15	1000
TCBNS-M2.5-20	TCBNS-M3-20	TCBNS-M4-20	20	1000

**SPLIT PACKS AVAILABLE**

email | [sales@mossexpress.co.uk](mailto:sales@mossexpress.co.uk)

web | [www.mossexpress.co.uk](http://www.mossexpress.co.uk)

149

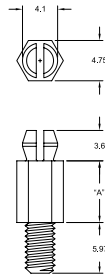
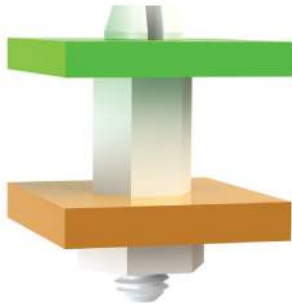
# THREADED/METAL SPACERS



## Hex Mini Support Post Threaded Male

HMSP-TM

Natural, UL94 V2 Nylon 6/6, RMS-01



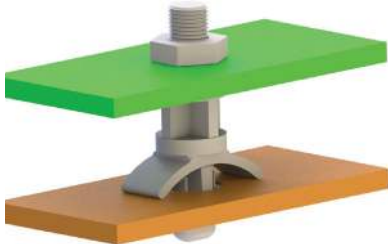
Top Hole: Snap-fit:  $3.86 \pm 0.05$   
Panel Thickness: 1.57

Part Number			"A" Standoff Height	Std Pack Qty
Thread: #6-32	Thread: M3	Thread: M4		
HMSP-TM-2-01	HMSP-TM-M3-2-01	HMSP-TM-M4-2-01	3.2	1000
HMSP-TM-3-01	HMSP-TM-M3-3-01	HMSP-TM-M4-3-01	4.8	1000
HMSP-TM-4-01	HMSP-TM-M3-4-01	HMSP-TM-M4-4-01	6.4	1000
HMSP-TM-6-01	HMSP-TM-M3-6-01	HMSP-TM-M4-6-01	9.5	1000
HMSP-TM-8-01	HMSP-TM-M3-8-01	HMSP-TM-M4-8-01	12.7	1000
HMSP-TM-10-01	HMSP-M3-10-01	HMSP-M4-10-01	15.9	1000
HMSP-TM-12-01	HMSP-M3-12-01	HMSP-M4-12-01	19.1	1000
HMSP-TM-14-01	HMSP-M3-14-01	HMSP-M4-14-01	22.2	1000

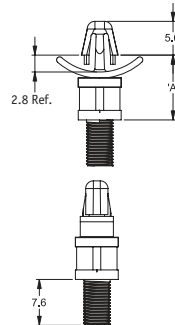
## Threaded Circuit Board Support

LCCBS-TM

Natural, UL94 V2 Nylon 6/6, RMS-01



Top Hole: Snap-lock:  $\varnothing 4.75 \pm 0.08$   
Panel Thickness: 1.57



Bottom Hole: See table

Part Number		"A" Standoff Height	Std Pack Qty
#6-32 Thread	M4 Thread		
LCCBS-TM-6-01	LCCBSM-M4-6-01	10.7	1000
LCCBS-TM-8-01	LCCBSM-M4-8-01	13.9	1000
LCCBS-TM-10-01	LCCBSM-M4-10-01	17.1	1000
LCCBS-TM-12-01	LCCBSM-M4-12-01	20.2	1000
LCCBS-TM-14-01	LCCBSM-M4-14-01	23.4	1000
LCCBS-TM-16-01	LCCBSM-M4-16-01	26.6	1000



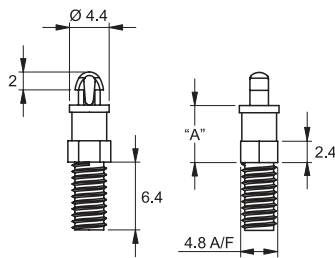
## Miniature Threaded Circuit Board Support

MSCBST

Natural, UL94 V2 Nylon 6/6, RMS-01



Top Hole:  $\varnothing 2.5 \pm 0.05$   
Panel Thickness:  $1.6 \pm 0.2$



Bottom Hole: see table

Part Number		"A" Standoff Height	Std Pack Qty
M3 Thread	M4 Thread		
MSCBST-M3-2-01	MSCBST-M4-2-01	3.2	1000
MSCBST-M3-3-01	MSCBST-M4-3-01	4.8	1000
MSCBST-M3-4-01	MSCBST-M4-4-01	6.4	1000
MSCBST-M3-5-01	MSCBST-M4-5-01	7.9	1000
MSCBST-M3-6-01	MSCBST-M4-6-01	9.5	1000
MSCBST-M3-7-01	MSCBST-M4-7-01	11.1	1000
MSCBST-M3-8-01	MSCBST-M4-8-01	12.7	1000
MSCBST-M3-9-01	MSCBST-M4-9-01	14.3	1000
MSCBST-M3-10-01	MSCBST-M4-10-01	15.9	1000



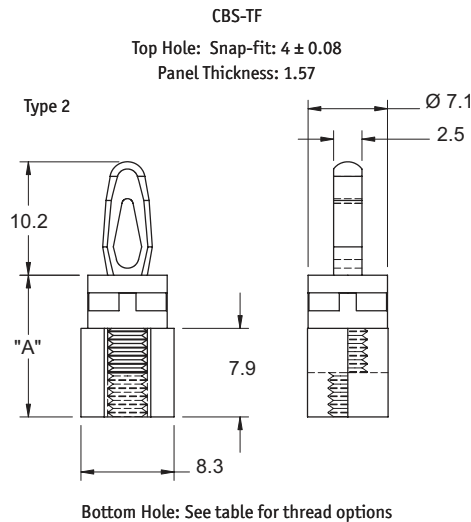
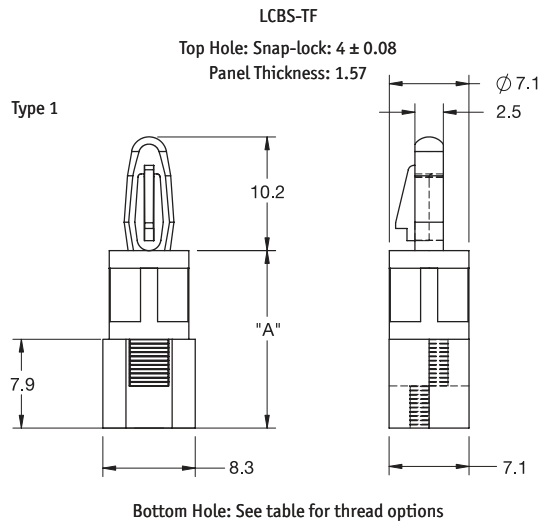
# Threaded Circuit Board Support

LCBS-TF/CBS-TF

Natural



Part Number						"A" Standoff Height	Std Pack Qty
Fig. 1			Fig. 2				
Nylon 6/6, RMS-01	Nylon 6/6 RMS-01	UL94 V0 Nylon 6/6, RMS-19	Nylon 6/6, RMS-01	Nylon 6/6, RMS-01	UL94 V0 Nylon 6/6, RMS-19		
Thread: #6-32	Thread: M4		Thread: #6-32	Thread: M4			
LCBS-TF-6-01	LCBS-TF-M4-6-01	LCBS-TF-M4-6-19	CBS-TF-6-01	CBS-TF-M4-6-01	CBS-TF-M4-6-19	9.5	1000
LCBS-TF-8-01	LCBS-TF-M4-8-01	LCBS-TF-M4-8-19	CBS-TF-8-01	CBS-TF-M4-8-01	CBS-TF-M4-8-19	12.7	1000
LCBS-TF-10-01	LCBSTF-M4-10-01	LCBSTF-M4-10-19	CBS-TF-10-01	CBS-TF-M4-10-01	CBS-TF-M4-10-19	15.9	1000
LCBS-TF-12-01	LCBSTF-M4-12-01	LCBSTF-M4-12-19	CBS-TF-12-01	CBS-TF-M4-12-01	CBS-TF-M4-12-19	19.1	1000
LCBS-TF-14-01	LCBSTF-M4-14-01	LCBSTF-M4-14-19	CBS-TF-14-01	CBS-TF-M4-14-01	CBS-TF-M4-14-19	22.2	1000
LCBS-TF-16-01	LCBSTF-M4-16-01	LCBSTF-M4-16-19	CBS-TF-16-01	CBS-TF-M4-16-01	CBS-TF-M4-16-19	25.4	1000



# Metric Threaded Circuit Board Support

TCBN

Black, UL94 HB Nylon 6/6, RMS-172

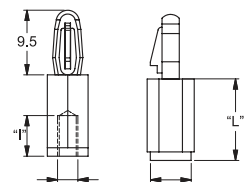
Can't find the size you are looking for? Contact us!



Part Number						"L"	"I"	Std Pack Qty
M3 Thread			M4 Thread					
Panel Thickness = 1.6MM			Panel Thickness = 2MM					
"H" = 6MM	"H" = 8MM	"H" = 6MM	"H" = 8MM	"H" = 6MM	"H" = 8MM			
TCBN-T1-M3-6-5	TCBN-T1-M3-8-5	TCBN-T2-M3-6-5	TCBN-T2-M3-8-5	TCBN-T1-M4-8-5	TCBN-T2-M4-8-5	5	3	500
TCBN-T1-M3-6-6	TCBN-T1-M3-8-6	TCBN-T2-M3-6-6	TCBN-T2-M3-8-6	TCBN-T1-M4-8-6	TCBN-T2-M4-8-6	6	4	500
TCBN-T1-M3-6-7	TCBN-T1-M3-8-7	TCBN-T2-M3-6-7	TCBN-T2-M3-8-7	TCBN-T1-M4-8-7	TCBN-T2-M4-8-7	7	5	500
TCBN-T1-M3-6-8	TCBN-T1-M3-8-8	TCBN-T2-M3-6-8	TCBN-T2-M3-8-8	TCBN-T1-M4-8-8	TCBN-T2-M4-8-8	8	6	500
TCBN-T1-M3-6-9	TCBN-T1-M3-8-9	TCBN-T2-M3-6-9	TCBN-T2-M3-8-9	TCBN-T1-M4-8-9	TCBN-T2-M4-8-9	9	7	500
TCBN-T1-M3-6-10	TCBN-T1-M3-8-10	TCBN-T2-M3-6-10	TCBN-T2-M3-8-10	TCBN-T1-M4-8-10	TCBN-T2-M4-8-10	10	8	500
TCBN-T1-M3-6-12	TCBN-T1-M3-8-12	TCBN-T2-M3-6-12	TCBN-T2-M3-8-12	TCBN-T1-M4-8-12	TCBN-T2-M4-8-12	12	10	500
TCBN-T1-M3-6-15	TCBN-T1-M3-8-15	TCBN-T2-M3-6-15	TCBN-T2-M3-8-15	TCBN-T1-M4-8-15	TCBN-T2-M4-8-15	15	10	500
TCBN-T1-M3-6-18	TCBN-T1-M3-8-18	TCBN-T2-M3-6-18	TCBN-T2-M3-8-18	TCBN-T1-M4-8-18	TCBN-T2-M4-8-18	18	10	500
TCBN-T1-M3-6-20	TCBN-T1-M3-8-20	TCBN-T2-M3-6-20	TCBN-T2-M3-8-20	TCBN-T1-M4-8-20	TCBN-T2-M4-8-20	20	10	500
TCBN-T1-M3-6-25	TCBN-T1-M3-8-25	TCBN-T2-M3-6-25	TCBN-T2-M3-8-25	TCBN-T1-M4-8-25	TCBN-T2-M4-8-25	25	10	500
TCBN-T1-M3-6-30	TCBN-T1-M3-8-30	TCBN-T2-M3-6-30	TCBN-T2-M3-8-30	TCBN-T1-M4-8-30	TCBN-T2-M4-8-30	30	10	500
TCBN-T1-M3-6-40	TCBN-T1-M3-8-40	TCBN-T2-M3-6-40	TCBN-T2-M3-8-40	TCBN-T1-M4-8-40	TCBN-T2-M4-8-40	40	10	500
TCBN-T1-M3-6-45	TCBN-T1-M3-8-45	TCBN-T2-M3-6-45	TCBN-T2-M3-8-45	TCBN-T1-M4-8-45	TCBN-T2-M4-8-45	45	10	500
TCBN-T1-M3-6-50	TCBN-T1-M3-8-50	TCBN-T2-M3-6-50	TCBN-T2-M3-8-50	TCBN-T1-M4-8-50	TCBN-T2-M4-8-50	50	10	500
TCBN-T1-M3-6-55	TCBN-T1-M3-8-55	TCBN-T2-M3-6-55	TCBN-T2-M3-8-55	TCBN-T1-M4-8-55	TCBN-T2-M4-8-55	55	10	500
TCBN-T1-M3-6-60	TCBN-T1-M3-8-60	TCBN-T2-M3-6-60	TCBN-T2-M3-8-60	TCBN-T1-M4-8-60	TCBN-T2-M4-8-60	60	10	500



Top Hole: Snap-lock:  $4 \pm 0.08$   
Panel Thickness: See Table for Dim.



SPLIT PACKS AVAILABLE

email | sales@mossexpress.co.uk web | www.mossexpress.co.uk

# THREADED/METAL SPACERS

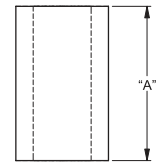
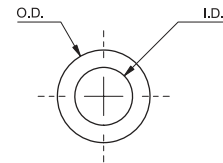
## Round Plastic Spacer

SS/SSE

Light Grey, UL94 VO PVC, RMS-204



Can't find the size you are looking for? Contact us!

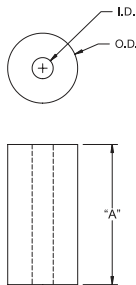


"A" Standoff Height	Part Number										Std Pack Qty
	For M2.5 Screw	For M3 Screw	For M4 Screw	For M4 Screw	For M5 Screw	For M6 Screw	For M9 Screw	-	-	-	
3.2	SS4-3.2MM I.D.= 3 O.D.= 6.4	SS6-3.2MM I.D.= 3.7 O.D.= 6.4	SS8-3.2MM I.D.= 4.4 O.D.= 6.4	SS8-3.2MML I.D.= 4.4 O.D.= 9.5	SS10-3.2MM I.D.= 5.1 O.D.= 9.5	SS1/4-3.2MM I.D.= 6.8 O.D.= 12.7	SS3/8-3.2MM I.D.= 10.1 O.D.= 12.7	SSE-75120-3.2MM I.D.= 7.5 O.D.= 12	SSE-80120-3.2MM I.D.= 8 O.D.= 12		1000
4.8	SS4-4.8MM	SS6-4.8MM	SS8-4.8MM	SS8-4.8MML	SS10-4.8MM	SS1/4-4.8MM	SS3/8-4.8MM	SSE-75120-4.8MM	SSE-80120-4.8MM		1000
6.4	SS4-2	SS6-2	SS8-2	SS8-2L	SS10-2	SS1/4-2	SS3/8-2	SSE-75120-2	SSE-80120-2		1000
7.9	SS4-7.9MM	SS6-7.9MM	SS8-7.9MM	SS8-7.9MML	SS10-7.9MM	SS1/4-7.9MM	SS3/8-7.9MM	SSE-75120-7.9MM	SSE-80120-7.9MM		1000
9.5	SS4-3	SS6-3	SS8-3	SS8-3L	SS10-3	SS1/4-3	SS3/8-3	SSE-75120-3	SSE-80120-3		1000
11.1	SS4-11.1MM	SS6-11.1MM	SS8-11.1MM	SS8-11.1MML	SS10-11.1MM	SS1/4-11.1MM	SS3/8-11.1MM	SSE75120-11.1MM	SSE80120-11.1MM		1000
12.7	SS4-4	SS6-4	SS8-4	SS8-4L	SS10-4	SS1/4-4	SS3/8-4	SSE-75120-4	SSE-80120-4		1000
15.9	SS4-5	SS6-5	SS8-5	SS8-5L	SS10-5	SS1/4-5	SS3/8-5	SSE-75120-5	SSE-80120-5		1000
19.1	SS4-6	SS6-6	SS8-6	SS8-6L	SS10-6	SS1/4-6	SS3/8-6	SSE-75120-6	SSE-80120-6		1000
25.4	SS4-8	SS6-8	SS8-8	SS8-8L	SS10-8	SS1/4-8	SS3/8-8	SSE-75120-8	SSE-80120-8		1000
31.8	SS4-10	SS6-10	SS8-10	SS8-10L	SS10-10	SS1/4-10	SS3/8-10	SSE-75120-10	SSE-80120-10		500
38.1	SS4-12	SS6-12	SS8-12	SS8-12L	SS10-12	SS1/4-12	SS3/8-12	SSE-75120-12	SSE-80120-12		500

## Round Plastic Spacer

R900

White, Modified Nylon 6, RMS-60



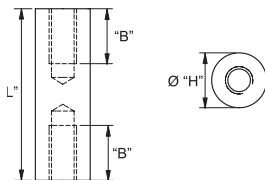
Part Number									Dimensions (mm)			Std Pack Qty
"A" = 1.6	"A" = 3.2	"A" = 4.8	"A" = 6.4	"A" = 7.9	"A" = 9.5	"A" = 11.1	"A" = 12.7	For Screw	I.D.	O.D.		
R901-1	R901-2	R901-3	R901-4	R901-5	R901-6	R901-7	R901-8	-	0.7	2.2	1000	
R938-1	R938-2	R938-3	R938-4	R938-5	R938-6	R938-7	R938-8	-	0.8		1000	
R902-1	R902-2	R902-3	R902-4	R902-5	R902-6	R902-7	R902-8	-	0.8	3.2	1000	
R939-1	R939-2	R939-3	R939-4	R939-5	R939-6	R939-7	R939-8	-	1.2		1000	
R903-1	R903-2	R903-3	R903-4	R903-5	R903-6	R903-7	R903-8	-	1.2	4	1000	
R904-1	R904-2	R904-3	R904-4	R904-5	R904-6	R904-7	R904-8	-	1.6	4.8	1000	
R906-1	R906-2	R906-3	R906-4	R906-5	R906-6	R906-7	R906-8	M2	2.2	3.6	1000	
R937-1	R937-2	R937-3	R937-4	R937-5	R937-6	R937-7	R937-8	M2	2.3	3.2	1000	
R913-1	R913-2	R913-3	R913-4	R913-5	R913-6	R913-7	R913-8	M2	2.3	4.8	1000	
R910-1	R910-2	R910-3	R910-4	R910-5	R910-6	R910-7	R910-8	M2	2.3	6.4	1000	
R907-1	R907-2	R907-3	R907-4	R907-5	R907-6	R907-7	R907-8	M2.5	2.7	4.2	1000	
R908-1	R908-2	R908-3	R908-4	R908-5	R908-6	R908-7	R908-8	M3	3.2	4.8	1000	
R911-1	R911-2	R911-3	R911-4	R911-5	R911-6	R911-7	R911-8	M3	3.2	6.4	1000	
R905-1	R905-2	R905-3	R905-4	R905-5	R905-6	R905-7	R905-8	M3.5	3.7	6.4	1000	
R912-1	R912-2	R912-3	R912-4	R912-5	R912-6	R912-7	R912-8	M4	4.3	6.4	1000	

## Round Threaded Standoff

RTSN

Black, Nylon 6 25% Glass Filled, RMS-173

Can't find the size you are looking for? Contact us!



Part Number			Dimensions (mm)		Std Pack Qty
Thread M3		Thread M4	"L"	"B"	
"H" = 6		"H" = 7	"H" = 7		
RTSN-M3-5-6-1	RTSN-M3-5-7-1	RTSN-M4-5-7-1	5	Through	500
RTSN-M3-8-6-1	RTSN-M3-8-7-1	RTSN-M4-8-7-1	8	Through	500
RTSN-M3-10-6-1	RTSN-M3-10-7-1	RTSN-M4-10-7-1	10	Through	500
RTSN-M3-12-6-1	RTSN-M3-12-7-1	RTSN-M4-12-7-1	12	Through	500
RTSN-M3-15-6-1	RTSN-M3-15-7-1	RTSN-M4-15-7-1	15	Through	500
RTSN-M3-18-6-1	RTSN-M3-18-7-1	RTSN-M4-18-7-1	18	10 Min	500
RTSN-M3-20-6-1	RTSN-M3-20-7-1	RTSN-M4-20-7-1	20	10 Min	500
RTSN-M3-25-6-1	RTSN-M3-25-7-1	RTSN-M4-25-7-1	25	10 Min	500
RTSN-M3-30-6-1	RTSN-M3-30-7-1	RTSN-M4-30-7-1	30	10 Min	500
RTSN-M3-35-6-1	RTSN-M3-35-7-1	RTSN-M4-35-7-1	35	10 Min	500
RTSN-M3-40-6-1	RTSN-M3-40-7-1	RTSN-M4-40-7-1	40	10 Min	500

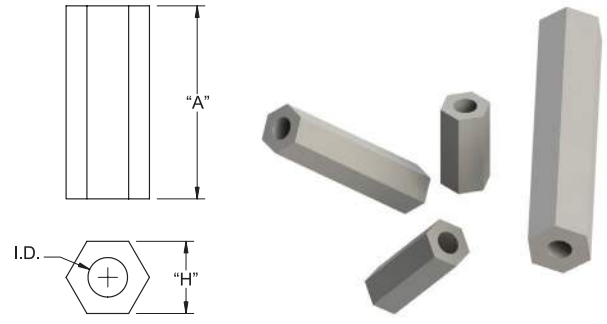
Hex Plastic Spacers

HS

Light Gray, UL94 VO PVC, RMS-448



Part Number			"A" Standoff Height	Std Pack Qty
For #4 Self Tapping Screw	For #6 Self Tapping Screw	For #8 Self Tapping Screw		
"I.D." = 2.6 "H" = 4.8	"I.D." = 2.8 "H" = 6.4	"I.D." = 3.6 "H" = 9.5		
HS-4-3	HS-6-3	-	9.5	1000
HS-4-4	HS-6-4	HS-8-4	12.7	1000
HS-4-5	HS-6-5	HS-8-5	15.9	1000
HS-4-6	HS-6-6	HS-8-6	19.1	1000
HS-4-7	HS-6-7	HS-8-7	22.2	1000
HS-4-8	HS-6-8	HS-8-8	25.4	1000
HS-4-10	HS-6-10	HS-8-10	31.8	500
HS-4-12	HS-6-12	HS-8-12	38.1	500
HS-4-14	HS-6-14	HS-8-14	44.5	500
HS-4-16	HS-6-16	HS-8-16	50.8	500
HS-4-24	HS-6-24	HS-8-24	76.2	500



Round Plastic Spacers

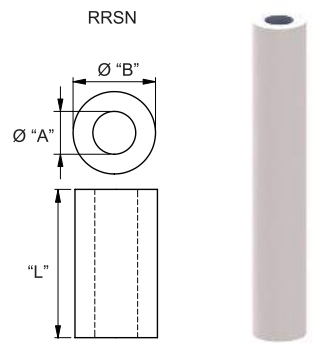
RRSN

White, Polystyrene, RMS-163

Black, UL94 HB Nylon 6 25% Glass Filled RMS-173



Can't find the size you are looking for? Contact us!



Part Number (White)								Dimensions (mm)	Std Pack Qty
A = 2.7 B = 5	A = 3.2 B = 6	A = 3.5 B = 6	A = 4.2 B = 8	A = 4.5 B = 7	A = 5.2 B = 10	A = 6.2 B = 10	A = 8.2 B = 10		
RRSN-2750-02	RRSN-3260-02	RRSN-3460-02	RRSN-4280-02	RRSN-4570-02	RRSN-52100-02	RRSN-62100-02	RRSN-82100-02	2	500
RRSN-2750-03	RRSN-3260-03	RRSN-3460-03	RRSN-4280-03	RRSN-4570-03	RRSN-52100-03	RRSN-62100-03	RRSN-82100-03	3	500
RRSN-2750-05	RRSN-3260-05	RRSN-3460-05	RRSN-4280-05	RRSN-4570-05	RRSN-52100-05	RRSN-62100-05	RRSN-82100-05	5	500
RRSN-2750-08	RRSN-3260-08	RRSN-3460-08	RRSN-4280-08	RRSN-4570-08	RRSN-52100-08	RRSN-62100-08	RRSN-82100-08	8	500
RRSN-2750-10	RRSN-3260-10	RRSN-3460-10	RRSN-4280-10	RRSN-4570-10	RRSN-52100-10	RRSN-62100-10	RRSN-82100-10	10	500
RRSN-2750-12	RRSN-3260-12	RRSN-3460-12	RRSN-4280-12	RRSN-4570-12	RRSN-52100-12	RRSN-62100-12	RRSN-82100-12	12	500
RRSN-2750-15	RRSN-3260-15	RRSN-3460-15	RRSN-4280-15	RRSN-4570-15	RRSN-52100-15	RRSN-62100-15	RRSN-82100-15	15	500
RRSN-2750-18	RRSN-3260-18	RRSN-3460-18	RRSN-4280-18	RRSN-4570-18	RRSN-52100-18	RRSN-62100-18	RRSN-82100-18	18	500
-	RRSN-3260-20	RRSN-3460-20	RRSN-4280-20	RRSN-4570-20	RRSN-52100-20	RRSN-62100-20	RRSN-82100-20	20	500
-	RRSN-3260-25	RRSN-3460-25	RRSN-4280-25	RRSN-4570-25	RRSN-52100-25	RRSN-62100-25	RRSN-82100-25	25	500
-	RRSN-3260-30	RRSN-3460-30	RRSN-4280-30	RRSN-4570-30	RRSN-52100-30	RRSN-62100-30	RRSN-82100-30	30	500
-	-	-	RRSN-4280-35	RRSN-4570-35	RRSN-52100-35	RRSN-62100-35	RRSN-82100-35	35	500
-	-	-	-	-	-	RRSN-62100-40	RRSN-82100-40	40	500

Part Number (Black)								Dimensions (mm)	Std Pack Qty
A = 2.7 B = 5	A = 3.2 B = 6	A = 3.5 B = 6	A = 4.2 B = 8	A = 4.5 B = 7	A = 5.2 B = 10	A = 6.2 B = 10	A = 8.2 B = 10		
RRSN-2750-02-GF	RRSN-3260-02-GF	RRSN-3460-02-GF	RRSN-4280-02-GF	RRSN-4570-02-GF	RRSN-52100-02GF	RRSN-62100-02GF	RRSN-82100-02GF	2	500
RRSN-2750-03-GF	RRSN-3260-03-GF	RRSN-3460-03-GF	RRSN-4280-03-GF	RRSN-4570-03-GF	RRSN-52100-03GF	RRSN-62100-03GF	RRSN-82100-03GF	3	500
RRSN-2750-05-GF	RRSN-3260-05-GF	RRSN-3460-05-GF	RRSN-4280-05-GF	RRSN-4570-05-GF	RRSN-52100-05GF	RRSN-62100-05GF	RRSN-82100-05GF	5	500
RRSN-2750-08-GF	RRSN-3260-08-GF	RRSN-3460-08-GF	RRSN-4280-08-GF	RRSN-4570-08-GF	RRSN-52100-08GF	RRSN-62100-08GF	RRSN-82100-08GF	8	500
RRSN-2750-10-GF	RRSN-3260-10-GF	RRSN-3460-10-GF	RRSN-4280-10-GF	RRSN-4570-10-GF	RRSN-52100-10GF	RRSN-62100-10GF	RRSN-82100-10GF	10	500
RRSN-2750-12-GF	RRSN-3260-12-GF	RRSN-3460-12-GF	RRSN-4280-12-GF	RRSN-4570-12-GF	RRSN-52100-12GF	RRSN-62100-12GF	RRSN-82100-12GF	12	500
RRSN-2750-15-GF	RRSN-3260-15-GF	RRSN-3460-15-GF	RRSN-4280-15-GF	RRSN-4570-15-GF	RRSN-52100-15GF	RRSN-62100-15GF	RRSN-82100-15GF	15	500
RRSN-2750-18-GF	RRSN-3260-18-GF	RRSN-3460-18-GF	RRSN-4280-18-GF	RRSN-4570-18-GF	RRSN-52100-18GF	RRSN-62100-18GF	RRSN-82100-18GF	18	500
-	RRSN-3260-20-GF	RRSN-3460-20-GF	RRSN-4280-20-GF	RRSN-4570-20-GF	RRSN-52100-20GF	RRSN-62100-20GF	RRSN-82100-20GF	20	500
-	RRSN-3260-25-GF	RRSN-3460-25-GF	RRSN-4280-25-GF	RRSN-4570-25-GF	RRSN-52100-25GF	RRSN-62100-25GF	RRSN-82100-25GF	25	500
-	RRSN-3260-30-GF	RRSN-3460-30-GF	RRSN-4280-30-GF	RRSN-4570-30-GF	RRSN-52100-30GF	RRSN-62100-30GF	RRSN-82100-30GF	30	500
-	-	-	RRSN-4280-35-GF	RRSN-4570-35-GF	RRSN-52100-35GF	RRSN-62100-35GF	RRSN-82100-35GF	35	500
-	-	-	-	-	-	RRSN-62100-40GF	RRSN-82100-40GF	40	500

SPLIT PACKS AVAILABLE

email | sales@mossexpress.co.uk web | www.mossexpress.co.uk

153

# THREADED/METAL SPACERS

## Hex Threaded Standoff

HTSN-2\HNSM-2\HTSN-3

Black, Nylon 6/6, RMS-172



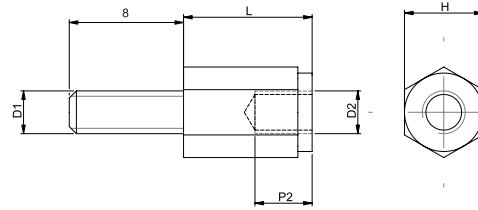
Can't find the size you are looking for? Contact us!



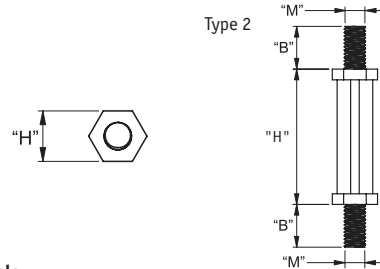
### Type 1 Female/Male

Part Number	Thread	Dimensions (mm)			Std Pack Qty
		"L"	"H"	"P2"	
HNSM2.5-5-5-2	M2.5	5	5	3	500
HNSM2.5-8-5-2	M2.5	8	5	5	500
HNSM2.5-10-5-2	M2.5	10	5	8	500
HNSM2.5-12-5-2	M2.5	12	5	9	500
HNSM2.5-15-5-2	M2.5	15	5	10	500
HNSM2.5-18-5-2	M2.5	18	5	10	500
HNSM2.5-20-5-2	M2.5	20	5	10	500
HNSM2.5-25-5-2	M2.5	25	5	10	500
HTSN-M3-5-5-5-2	M3	5	5.5	3	500
HTSN-M3-8-5-5-2	M3	8	5.5	5	500
HNSM3-10-5-5-2	M3	10	5.5	8	500
HNSM3-12-5-5-2	M3	12	5.5	9	500
HNSM3-15-5-5-2	M3	15	5.5	10	500
HNSM3-18-5-5-2	M3	18	5.5	10	500
HNSM3-20-5-5-2	M3	20	5.5	10	500
HNSM3-25-5-5-2	M3	25	5.5	10	500
HNSM3-30-5-5-2	M3	30	5.5	10	500
HNSM3-35-5-5-2	M3	35	5.5	10	500
HTSN-M3-5-6-2	M3	5	6	3	500
HTSN-M3-8-6-2	M3	8	6	5	500
HTSN-M3-10-6-2	M3	10	6	8	500
HTSN-M3-12-6-2	M3	12	6	9	500
HTSN-M3-15-6-2	M3	15	6	10	500
HTSN-M3-18-6-2	M3	18	6	10	500
HTSN-M3-20-6-2	M3	20	6	10	500
HTSN-M3-25-6-2	M3	25	6	10	500
HTSN-M3-30-6-2	M3	30	6	10	500
HTSN-M3-35-6-2	M3	35	6	10	500
HTSN-M3-5-8-2	M3	5	8	3	500
HTSN-M3-8-8-2	M3	8	8	5	500
HTSN-M3-10-8-2	M3	10	8	8	500
HTSN-M3-12-8-2	M3	12	8	9	500
HTSN-M3-15-8-2	M3	15	8	10	500
HTSN-M3-18-8-2	M3	18	8	10	500
HTSN-M3-20-8-2	M3	20	8	10	500
HTSN-M3-25-8-2	M3	25	8	10	500
HTSN-M3-30-8-2	M3	30	8	10	500
HTSN-M3-35-8-2	M3	35	8	10	500
HTSN-M4-5-8-2	M4	5	8	3	500
HTSN-M4-8-8-2	M4	8	8	5	500
HTSN-M4-10-8-2	M4	10	8	8	500
HTSN-M4-12-8-2	M4	12	8	9	500
HTSN-M4-15-8-2	M4	15	8	10	500
HTSN-M4-18-8-2	M4	18	8	10	500
HTSN-M4-20-8-2	M4	20	8	10	500
HTSN-M4-25-8-2	M4	25	8	10	500
HTSN-M4-30-8-2	M4	30	8	10	500
HTSN-M4-35-8-2	M4	35	8	10	500
HTSN-M4-40-8-2	M4	40	8	10	500
HTSN-M5-10-10-2	M5	10	10	8	500
HTSN-M5-12-10-2	M5	12	10	9	500
HTSN-M5-15-10-2	M5	15	10	10	500
HTSN-M5-18-10-2	M5	18	10	10	500
HTSN-M5-20-10-2	M5	20	10	10	500
HTSN-M5-25-10-2	M5	25	10	10	500
HTSN-M5-30-10-2	M5	30	10	10	500
HTSN-M5-35-10-2	M5	35	10	10	500
HTSN-M5-40-10-2	M5	40	10	10	500

Type 1



Type 2



Type 2 Male/Male

Part Number	Thread	Dimensions (mm)			Std Pack Qty
		"L"	"H"	"B"	
HTSN-M2.5-5-3	M2.5	5	5	6	500
HTSN-M2.5-8-3	M2.5	8	5	6	500
HTSN-M2.5-10-3	M2.5	10	5	6	500
HTSN-M2.5-12-3	M2.5	12	5	6	500
HTSN-M2.5-15-3	M2.5	15	5	6	500
HTSN-M2.5-18-3	M2.5	18	5	6	500
HTSN-M2.5-20-3	M2.5	20	5	6	500
HTSN-M2.5-25-3	M2.5	25	5	6	500
HTSN-M3-5-3	M3	5	6	6	500
HTSN-M3-8-3	M3	8	6	6	500
HTSN-M3-10-3	M3	10	6	6	500
HTSN-M3-12-3	M3	12	6	6	500
HTSN-M3-15-3	M3	15	6	6	500
HTSN-M3-18-3	M3	18	6	6	500
HTSN-M3-20-3	M3	20	6	6	500
HTSN-M3-25-3	M3	25	6	6	500
HTSN-M3-30-3	M3	30	6	6	500
HTSN-M3-35-3	M3	35	6	6	500
HTSN-M4-5-3	M4	5	6	6.4	500
HTSN-M4-8-3	M4	8	6	6.4	500
HTSN-M4-10-3	M4	10	6	6.4	500
HTSN-M4-12-3	M4	12	6	6.4	500
HTSN-M4-15-3	M4	15	6	6.4	500
HTSN-M4-18-3	M4	18	6	6.4	500
HTSN-M4-20-3	M4	20	6	6.4	500
HTSN-M4-25-3	M4	25	6	6.4	500
HTSN-M4-30-3	M4	30	6	6.4	500
HTSN-M4-35-3	M4	35	6	6.4	500
HTSN-M4-40-3	M4	40	6	6.4	500



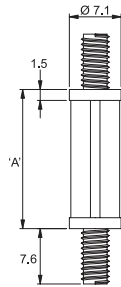


# THREADED/METAL SPACERS

## Circuit Board Stacking Spacer

CBS-TMM

UL94 V-2 Nylon 6/6, RMS-01 Natural



SEE TABLE FOR THREAD  
DETAIL AT BOTH ENDS

Part Number		"A" Standoff Height	Std Pack Qty
#6-32 Thread	M4 Thread		
CBS-TMM-4-01	CBS-TMM-M4-4-01	6.4	1000
CBS-TMM-6-01	CBS-TMM-M4-6-01	9.5	1000
CBS-TMM-8-01	CBS-TMM-M4-8-01	12.7	1000
CBS-TMM-10-01	CBSTMM-M4-10-01	15.9	1000
CBS-TMM-12-01	CBSTMM-M4-12-01	19.1	1000
CBS-TMM-14-01	CBSTMM-M4-14-01	22.2	1000
CBS-TMM-16-01	CBSTMM-M4-16-01	25.4	1000
CBS-TMM-20-01	CBSTMM-M4-20-01	31.7	1000
CBS-TMM-22-01	CBSTMM-M4-22-01	34.9	1000

## Metric Low Voltage Insulators

TNM

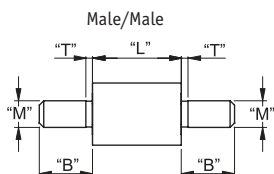
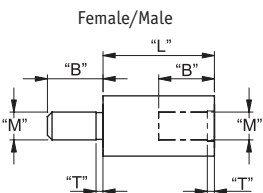
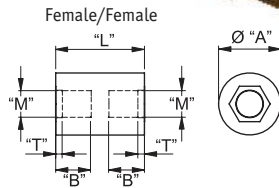
Natural UL94 V2 Nylon 6/6, RMS-133

Inserts: Brass, RMS-231

- Voltage breakdown > 11,000 volts/mm



Can't find the size you are  
looking for? Contact us!



Part Number			Thread	"A"	"B"	"T"	"L"	Std Pack Qty
Female/Female	Female/Male	Male/Male						
TNM2.5-6.5-10-1	TNM2.5-6.5-10-2	TNM2.5-6.5-10-3	M2.5	6.5	6	0.6	10	100
TNM2.5-6.5-15-1	TNM2.5-6.5-15-2	TNM2.5-6.5-15-3	M2.5	6.5	6	0.6	15	100
TNM2.5-6.5-20-1	TNM2.5-6.5-20-2	TNM2.5-6.5-20-3	M2.5	6.5	6	0.6	20	100
TNM2.5-6.5-25-1	TNM2.5-6.5-25-2	TNM2.5-6.5-25-3	M2.5	6.5	6	0.6	25	100
TNM2.5-8-10-1	TNM2.5-8-10-2	TNM2.5-8-10-3	M2.5	8	6	0.68	10	100
TNM2.5-8-15-1	TNM2.5-8-15-2	TNM2.5-8-15-3	M2.5	8	6	0.68	15	100
TNM2.5-8-20-1	TNM2.5-8-20-2	TNM2.5-8-20-3	M2.5	8	6	0.68	20	100
TNM2.5-8-25-1	TNM2.5-8-25-2	TNM2.5-8-25-3	M2.5	8	6	0.68	25	100
TNM3-6.5-10-1	TNM3-6.5-10-2	TNM3-6.5-10-3	M3	6.5	6	0.75	10	100
TNM3-6.5-12-1	TNM3-6.5-12-2	TNM3-6.5-12-3	M3	6.5	6	0.75	12	100
TNM3-6.5-15-1	TNM3-6.5-15-2	TNM3-6.5-15-3	M3	6.5	6	0.75	15	100
TNM3-6.5-18-1	TNM3-6.5-18-2	TNM3-6.5-18-3	M3	6.5	6	0.75	18	100
TNM3-6.5-20-1	TNM3-6.5-20-2	TNM3-6.5-20-3	M3	6.5	6	0.75	20	100
TNM3-6.5-25-1	TNM3-6.5-25-2	TNM3-6.5-25-3	M3	6.5	6	0.75	25	100
TNM3-6.5-30-1	TNM3-6.5-30-2	TNM3-6.5-30-3	M3	6.5	6	0.75	30	100
TNM3-6.5-40-1	TNM3-6.5-40-2	TNM3-6.5-40-3	M3	6.5	6	0.75	40	100
TNM3-6.5-45-1	TNM3-6.5-45-2	TNM3-6.5-45-3	M3	6.5	6	0.75	45	100
TNM3-8-10-1	TNM3-8-10-2	TNM3-8-10-3	M3	8	6	0.75	10	100
TNM3-8-12-1	TNM3-8-12-2	TNM3-8-12-3	M3	8	6	0.75	12	100
TNM3-8-15-1	TNM3-8-15-2	TNM3-8-15-3	M3	8	6	0.75	15	100
TNM3-8-18-1	TNM3-8-18-2	TNM3-8-18-3	M3	8	6	0.75	18	100
TNM3-8-20-1	TNM3-8-20-2	TNM3-8-20-3	M3	8	6	0.75	20	100
TNM3-8-25-1	TNM3-8-25-2	TNM3-8-25-3	M3	8	6	0.75	25	100
TNM3-8-30-1	TNM3-8-30-2	TNM3-8-30-3	M3	8	6	0.75	30	100
TNM3-8-40-1	TNM3-8-40-2	TNM3-8-40-3	M3	8	6	0.75	40	100
TNM3-8-45-1	TNM3-8-45-2	TNM3-8-45-3	M3	8	6	0.75	45	100
TNM4-8-15-1	TNM4-8-15-2	TNM4-8-15-3	M4	8	6	1.05	15	100
TNM4-8-18-1	TNM4-8-18-2	TNM4-8-18-3	M4	8	6	1.05	18	100
TNM4-8-20-1	TNM4-8-20-2	TNM4-8-20-3	M4	8	6	1.05	20	100
TNM4-8-25-1	TNM4-8-25-2	TNM4-8-25-3	M4	8	6	1.05	25	100
TNM4-8-30-1	TNM4-8-30-2	TNM4-8-30-3	M4	8	6	1.05	30	100
TNM4-8-40-1	TNM4-8-40-2	TNM4-8-40-3	M4	8	6	1.05	40	100
TNM4-8-45-1	TNM4-8-45-2	TNM4-8-45-3	M4	8	6	1.05	45	100
TNM4-8-50-1	TNM4-8-50-2	TNM4-8-50-3	M4	8	6	1.05	50	100
TNM4-9.5-15-1	TNM4-9.5-15-2	TNM4-9.5-15-3	M4	9.5	10	1.05	15	100
TNM4-9.5-18-1	TNM4-9.5-18-2	TNM4-9.5-18-3	M4	9.5	10	1.05	18	100
TNM4-9.5-20-1	TNM4-9.5-20-2	TNM4-9.5-20-3	M4	9.5	10	1.05	20	100
TNM4-9.5-25-1	TNM4-9.5-25-2	TNM4-9.5-25-3	M4	9.5	10	1.05	25	100
TNM4-9.5-30-1	TNM4-9.5-30-2	TNM4-9.5-30-3	M4	9.5	10	1.05	30	100
TNM4-9.5-40-1	TNM4-9.5-40-2	TNM4-9.5-40-3	M4	9.5	10	1.05	40	100
TNM4-9.5-45-1	TNM4-9.5-45-2	TNM4-9.5-45-3	M4	9.5	10	1.05	45	100
TNM4-9.5-50-1	TNM4-9.5-50-2	TNM4-9.5-50-3	M4	9.5	10	1.05	50	100
TNM5-9.5-20-1	TNM5-9.5-20-2	TNM5-9.5-20-3	M5	9.5	10	1.2	20	100
TNM5-9.5-25-1	TNM5-9.5-25-2	TNM5-9.5-25-3	M5	9.5	10	1.2	25	100
TNM5-9.5-30-1	TNM5-9.5-30-2	TNM5-9.5-30-3	M5	9.5	10	1.2	30	100
TNM5-9.5-40-1	TNM5-9.5-40-2	TNM5-9.5-40-3	M5	9.5	10	1.2	40	100
TNM5-9.5-45-1	TNM5-9.5-45-2	TNM5-9.5-45-3	M5	9.5	10	1.2	45	100
TNM5-9.5-50-1	TNM5-9.5-50-2	TNM5-9.5-50-3	M5	9.5	10	1.2	50	100
TNM6-12.7-25-1	TNM6-12.7-25-2	TNM6-12.7-25-3	M6	12.7	12.7	1.5	25	100
TNM6-12.7-30-1	TNM6-12.7-30-2	TNM6-12.7-30-3	M6	12.7	12.7	1.5	30	100
TNM6-12.7-40-1	TNM6-12.7-40-2	TNM6-12.7-40-3	M6	12.7	12.7	1.5	40	100
TNM6-12.7-45-1	TNM6-12.7-45-2	TNM6-12.7-45-3	M6	12.7	12.7	1.5	45	100
TNM6-12.7-50-1	TNM6-12.7-50-2	TNM6-12.7-50-3	M6	12.7	12.7	1.5	50	100
TNM6-12.7-55-1	TNM6-12.7-55-2	TNM6-12.7-55-3	M6	12.7	12.7	1.5	55	100

### Metric Hex Low Voltage Insulators

HSM

Natural Nylon 6, RMS-133

Insert: Brass, RMS-231

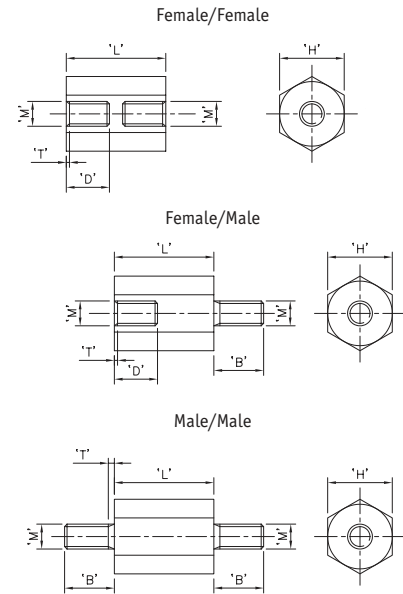
- Voltage breakdown > 11,000 volts/mm



Can't find the size you are looking for? Contact us!



Part Number			"M"	"H"	"B"	"D"	"T"	"L"	Std Pack Qty
Female/Female	Female/Male	Male/Male							
HSM2.5-6.4-15-1	HSM2.5-6.4-15-2	HSM2.5-6.4-15-3	M2.5	6.4	6	6	0.68	15	100
HSM2.5-6.4-20-1	HSM2.5-6.4-20-2	HSM2.5-6.4-20-3	M2.5	6.4	6	6	0.68	20	100
HSM2.5-6.4-25-1	HSM2.5-6.4-25-2	HSM2.5-6.4-25-3	M2.5	6.4	6	6	0.68	25	100
HSM3-6.4-15-1	HSM3-6.4-15-2	HSM3-6.4-15-3	M3	6.4	6	6	0.75	15	100
HSM3-6.4-18-1	HSM3-6.4-18-2	HSM3-6.4-18-3	M3	6.4	6	6	0.75	18	100
HSM3-6.4-20-1	HSM3-6.4-20-2	HSM3-6.4-20-3	M3	6.4	6	6	0.75	20	100
HSM3-6.4-25-1	HSM3-6.4-25-2	HSM3-6.4-25-3	M3	6.4	6	6	0.75	25	100
HSM3-6.4-30-1	HSM3-6.4-30-2	HSM3-6.4-30-3	M3	6.4	6	6	0.75	30	100
HSM3-6.4-40-1	HSM3-6.4-40-2	HSM3-6.4-40-3	M3	6.4	6	6	0.75	40	100
HSM3-6.4-45-1	HSM3-6.4-45-2	HSM3-6.4-45-3	M3	6.4	6	6	0.75	45	100
HSM4-8-15-1	HSM4-8-15-2	HSM4-8-15-3	M4	8	6	6	1.05	15	100
HSM4-8-18-1	HSM4-8-18-2	HSM4-8-18-3	M4	8	6	6	1.05	18	100
HSM4-8-20-1	HSM4-8-20-2	HSM4-8-20-3	M4	8	6	6	1.05	20	100
HSM4-8-25-1	HSM4-8-25-2	HSM4-8-25-3	M4	8	6	6	1.05	25	100
HSM4-8-30-1	HSM4-8-30-2	HSM4-8-30-3	M4	8	6	6	1.05	30	100
HSM4-8-40-1	HSM4-8-40-2	HSM4-8-40-3	M4	8	6	6	1.05	40	100
HSM4-8-45-1	HSM4-8-45-2	HSM4-8-45-3	M4	8	6	6	1.05	45	100
HSM4-8-50-1	HSM4-8-50-2	HSM4-8-50-3	M4	8	6	6	1.05	50	100
HSM5-9.5-20-1	HSM5-9.5-20-2	HSM5-9.5-20-3	M5	9.5	10	10	1.2	20	100
HSM5-9.5-25-1	HSM5-9.5-25-2	HSM5-9.5-25-3	M5	9.5	10	10	1.2	25	100
HSM5-9.5-30-1	HSM5-9.5-30-2	HSM5-9.5-30-3	M5	9.5	10	10	1.2	30	100
HSM5-9.5-40-1	HSM5-9.5-40-2	HSM5-9.5-40-3	M5	9.5	10	10	1.2	40	100
HSM5-9.5-45-1	HSM5-9.5-45-2	HSM5-9.5-45-3	M5	9.5	10	10	1.2	45	100
HSM5-9.5-50-1	HSM5-9.5-50-2	HSM5-9.5-50-3	M5	9.5	10	10	1.2	50	100
HSM6-12.7-25-1	HSM6-12.7-25-2	HSM6-12.7-25-3	M6	12.7	12.7	12.7	1.5	25	100
HSM6-12.7-30-1	HSM6-12.7-30-2	HSM6-12.7-30-3	M6	12.7	12.7	12.7	1.5	30	100
HSM6-12.7-40-1	HSM6-12.7-40-2	HSM6-12.7-40-3	M6	12.7	12.7	12.7	1.5	40	100
HSM6-12.7-45-1	HSM6-12.7-45-2	HSM6-12.7-45-3	M6	12.7	12.7	12.7	1.5	45	100
HSM6-12.7-50-1	HSM6-12.7-50-2	HSM6-12.7-50-3	M6	12.7	12.7	12.7	1.5	50	100
HSM6-12.7-55-1	HSM6-12.7-55-2	HSM6-12.7-55-3	M6	12.7	12.7	12.7	1.5	55	100



### Metric Micro Low Voltage Insulators

MTNSP

Natural Nylon 6, RMS-133

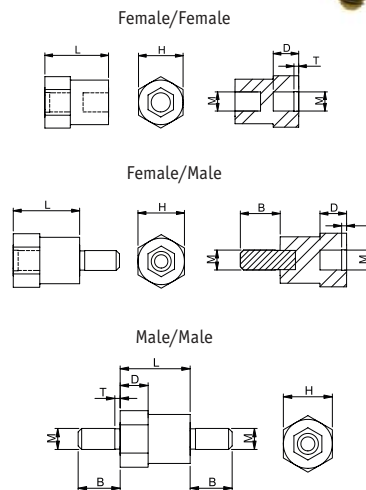
Insert: Brass, RMS-231

- Voltage breakdown > 11,000 volts/mm



Part Number	Thread Style	"M"	"L"	"H" Body Diameter	"B" Stud Length	"D" Insert Depth	"T"	Std Pack Qty
MTNSP-M2.5-10-1	Female/Female	M2.5	10	6	-	4	0.68	100
MTNSP-M2.5-12-1	Female/Female	M2.5	12	6	-	4	0.68	100
MTNSP-M3-10-1	Female/Female	M3	10	7	-	4	0.75	100
MTNSP-M3-12-1	Female/Female	M3	12	7	-	4	0.75	100
MTNSP-M2.5-8-2	Male/Female	M2.5	8	6	6	4	0.68	100
MTNSP-M2.5-10-2	Male/Female	M2.5	10	6	6	4	0.68	100
MTNSP-M2.5-12-2	Male/Female	M2.5	12	6	6	4	0.68	100
MTNSP-M3-8-2	Male/Female	M3	8	7	6	4	0.75	100
MTNSP-M3-10-2	Male/Female	M3	10	7	6	4	0.75	100
MTNSP-M3-12-2	Male/Female	M3	12	7	6	4	0.75	100
MTNSP-M2.5-5-3	Male/Male	M2.5	5	6	6	-	-	100
MTNSP-M2.5-8-3	Male/Male	M2.5	8	6	6	-	-	100
MTNSP-M2.5-10-3	Male/Male	M2.5	10	6	6	-	-	100
MTNSP-M2.5-12-3	Male/Male	M2.5	12	6	6	-	-	100
MTNSP-M3-5-3	Male/Male	M3	5	6	6	-	-	100
MTNSP-M3-8-3	Male/Male	M3	8	6	6	-	-	100
MTNSP-M3-10-3	Male/Male	M3	10	6	6	-	-	100
MTNSP-M3-12-3	Male/Male	M3	12	6	6	-	-	100

Unthreaded length: 1.5 pitch max.







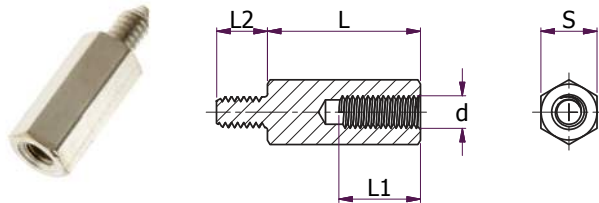
# THREADED/METAL SPACERS

## Hex Spacer - Self Tapping Male/Female

SR6125

Nickel Plated Hardened Steel - Brass coloured

- Excellent electrical conduction by special copper / nickel casing
- No closing washers or nuts necessary because of self-tapping thread
- Especially suitable for metal sheets, aluminium and nylon



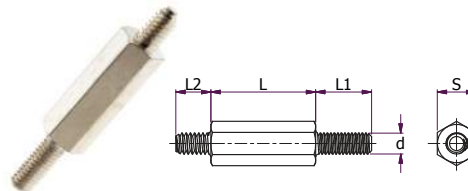
Part Number	Dimensions (mm)						Std Pack Qty
	d	S	L	L1	L2	Hole dia.	
315305140058	M3	6	5	5	3	2.7	100
315308140058	M3	6	8	5	4	2.7	100
315310140058	M3	6	10	5	6	2.7	100
315312140058	M3	6	12	5	8	2.7	100
315315140058	M3	6	15	5	8	2.7	100
315410041058	M4	7	10	8	6	3.6	100
315415041058	M4	7	15	8	8	3.6	100
315420041058	M4	7	20	8	8	3.6	100
315425041058	M4	7	25	10	10	3.6	50
315430041058	M4	7	30	10	10	3.6	50

## Hex Spacer - Self Tapping Male/Male

SR6126

Zinc Plated Hardened Steel

- No closing washers or nuts necessary because of self-tapping thread
- Especially suitable for metal sheets, aluminium and nylon
- Hole diameter 2.70 mm (+0.00/- 0.05)



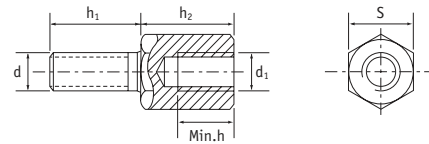
Part Number	Dimensions (mm)						Std Pack Qty
	d	S	L	L1	L2	Hole dia.	
316305140058	M3	6	5	5	8	2.7	100
316308140058	M3	6	8	5	8	2.7	100
316310140058	M3	6	10	5	8	2.7	100
316312140058	M3	6	12	5	8	2.7	100
316315140058	M3	6	15	5	8	2.7	100

## Hex Spacer - Sub-D

SR 2703

Nickel Plated Brass/Zinc Plated Steel/Stainless Steel

- Screw-in design
- Used for attaching D Connectors



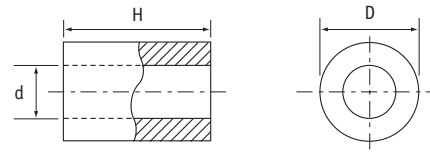
Part Number			Dimensions (mm)						Std Pack Qty
Nickel Plated Brass	Zinc Plated Steel	Stainless Steel	d	d1	S	h1	Min.h	h2	
308104040050	308104041152	308104041556	4 NC	4 NC	5	6	3	5	
308204040050	308204041152	308204041556	4 NC	4 NC	5	8	3	5	
308304040050	308304041152	-	4 NC	4 NC	5	12	3	5	
308103040050	308103041152	308103041556	4 NC	M3	5	6	3	5	
308203040050	308203041152	308203041556	4 NC	M3	5	8	3	5	
308102040050	308102041152	308102041556	M3	4 NC	5	6	3	5	
308202040050	308202041152	308202041556	M3	4 NC	5	8	3	5	
308302040050	308302041152	-	M3	4 NC	5	12	3	5	
308101040050	308101041152	308101041556	M3	M3	5	6	3	5	
308201040050	308201041152	308201041556	M3	M3	5	8	3	5	
308301040050	308301041152	-	M3	M3	5	12	3	5	

## Round Spacer

SR2704

Nickel Plated Brass/Stainless Steel

- A versatile universal assembly element for use in all sectors
- Allows for decorative applications, such as displays, furniture, etc



Part Number		Dimensions (mm)			Std Pack Qty
Nickel Plated Brass	StainlessSteel	D	d	H	
311220240050	311220240056	2.2	4	2	250
311220340050	-	2.2	4	3	250
311220440050	-	2.2	4	4	250
311220540050	-	2.2	4	5	250
311220640050	-	2.2	4	6	250
311220740050	-	2.2	4	7	250
311220840050	-	2.2	4	8	250
311221040050	-	2.2	4	10	250
311250140050	-	2.5	5	1	250
311250240050	-	2.5	5	2	250
311250340050	-	2.5	5	3	250
311250440050	311250441556	2.5	5	4	250
311250540050	311250541556	2.5	5	5	250
311250640050	311250641556	2.5	5	6	250
311250740050	311250741556	2.5	5	7	250
311250840050	311250841556	2.5	5	8	250
311251040050	-	2.5	5	10	100
311251840050	-	2.5	5	18	100
311252040050	-	2.5	5	20	100
311320140050	-	3.2	6	1	250
311320240050	-	3.2	6	2	250
311320340050	-	3.2	6	3	250
311320440050	311320441556	3.2	6	4	250
311320540050	311320541556	3.2	6	5	250
311320640050	311320641556	3.2	6	6	250
311320740050	311320741556	3.2	6	7	250
311320840050	311320841556	3.2	6	8	250
311320940050	-	3.2	6	9	100
311321040050	311321041556	3.2	6	10	100
311321240050	-	3.2	6	12	100
311321540050	-	3.2	6	15	100
311322040050	-	3.2	6	20	100
311322540050	-	3.2	6	25	50

Part Number		Dimensions (mm)			Std Pack Qty
Nickel Plated Brass	StainlessSteel	D	d	H	
311323040050	-	3.2	6	30	50
311430240050	-	4.3	8	2	250
311430340050	-	4.3	8	3	250
311430440050	311430441556	4.3	8	4	250
311430540050	311430541556	4.3	8	5	250
311430640050	311430641556	4.3	8	6	100
311430740050	311430741556	4.3	8	7	100
311430840050	311430841556	4.3	8	8	100
311431040050	311431041556	4.3	8	10	100
311431240050	311431241556	4.3	8	12	100
311431540050	-	4.3	8	15	100
311431840050	311431541556	4.3	8	18	100
311432040050	-	4.3	8	20	100
311432540050	-	4.3	8	25	50
311433040050	-	4.3	8	30	50
311433540050	-	4.3	8	35	50
311434040050	-	4.3	8	40	50
311530240050	-	5.3	10	2	100
311530340050	-	5.3	10	3	100
311530440050	-	5.3	10	4	100
311530540050	-	5.3	10	5	100
311530640050	-	5.3	10	6	100
311530740050	-	5.3	10	7	100
311530840050	-	5.3	10	8	100
311531040050	-	5.3	10	10	100
311531240050	-	5.3	10	12	100
311531540050	-	5.3	10	15	100
311531840050	-	5.3	10	18	100
311532040050	-	5.3	10	20	100
311532540050	-	5.3	10	25	50
311533040050	-	5.3	10	30	50
311534040050	-	5.3	10	40	25

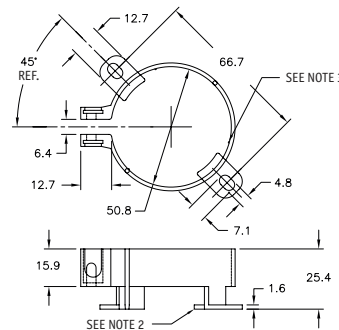
## Standing Capacity Holder

SCH/SCHS

Black, Glass-filled Nylon, RMS-18

Optional

- Clamping hardware; Screw (S6B) Stainless Steel, RMS-357 ZincPlating, RMS-358; Quick Nut (QN-6) Spring Steel C1050, RMS-327 Coating: Black Phosphate, RMS-356
- Spacer to elevate capacitor 2.4 from chassis
- Anti-rotation rib (3 locations)



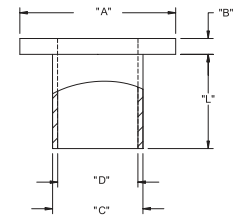
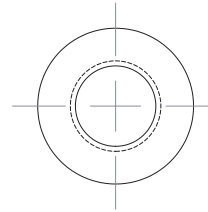
Part Number	Description	Std Pack Qty
SCHS-2	w/spacer, w/o hardware (Note 1)	100
SCH-2	w/o spacer, w/o hardware	100
SCHS-2-H	w/spacer, w/clamping hardware	100
SCH-2-H	w/o spacer, w/clamping hardware	100

# THREADED/METAL SPACERS

## Screw Insulator

MNI

Nylon 6/6



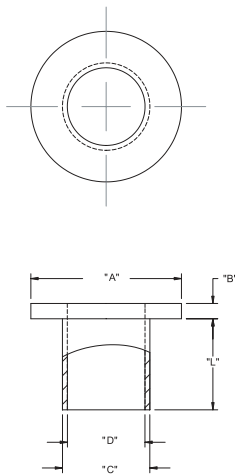
Part Number	Screw Size	Dimensions (mm)					Material	Std Pack Qty
		"L"	"A"	"B"	"C"	"D"		
MNI-2-2	M2	0.8	4.6	1.2	3	2.3	RMS-01	1000
MNI-2-4	M2	1.6	4.6	1.2	3	2.3	RMS-01	1000
MNI-2-6	M2	2.4	4.6	1.2	3	2.3	RMS-01	1000
MNI-4-2	M2.5	0.8	6	1.2	3.7	2.9	RMS-01	1000
MNI-4-3	M2.5	1.2	6	1.2	3.7	2.9	RMS-01	1000
MNI-M2.5-1.3	M2.5	1.3	6.3	1.2	3.5	2.9	RMS-01	1000
MNI-4-4	M2.5	1.6	6	1.2	3.7	2.9	RMS-01	1000
MNI-4-5	M2.5	2.1	6.4	1.2	3.6	2.9	RMS-01	1000
MNI-4-6	M2.5	2.4	6	1.2	3.7	2.9	RMS-01	1000
MNI-4-8	M2.5	3.2	6	1.2	3.7	2.9	RMS-01	1000
MNI-M2.5-3.6	M2.5	3.6	7.1	1.5	3.8	2.8	RMS-01	1000
MNI-4-10	M2.5	4	6	1.2	3.7	2.9	RMS-01	1000
MNI-4-12	M2.5	4.7	6	1.2	3.7	2.9	RMS-01	1000
MNI-4-16	M2.5	6.4	6	1.2	3.7	2.9	RMS-01	1000
MNI-4-24	M2.5	9.5	6	1.2	3.7	2.9	RMS-01	1000
MNI-M3-1.0	M3	1	7.1	1	3.8	3.1	RMS-48	1000
MNI-5-3	M3	1.3	9.4	1.2	6	3.3	RMS-48	1000
MNI-M3-1.3	M3	1.3	8.8	1.2	6	3.2	RMS-01	1000
MNI-M3-2.5	M3	2.5	7.1	1	3.8	3.1	RMS-48	1000
MNI-M3-3.5	M3	3.5	7.1	1	3.8	3.1	RMS-01	1000
MNI-6-2	M3.5	0.8	7.4	1.2	4.3	3.6	RMS-01	1000
MNI-6-4	M3.5	1.6	7.4	1.2	4.3	3.6	RMS-01	1000
MNI-6-6	M3.5	2.4	7.4	1.2	4.3	3.6	RMS-01	1000
MNI-6-8	M3.5	3.2	7.4	1.2	4.3	3.6	RMS-01	1000
MNI-6-12	M3.5	4.7	7.4	1.2	4.3	3.6	RMS-01	1000
MNI-6-16	M3.5	6.4	7.4	1.2	4.3	3.6	RMS-01	1000
MNI-6-24	M3.5	9.5	7.4	1.2	4.3	3.6	RMS-01	1000

Part Number	Screw Size	Dimensions (mm)					Material	Std Pack Qty
		"L"	"A"	"B"	"C"	"D"		
MNI-6-32	M3.5	12.7	7.4	1.2	4.3	3.6	RMS-48	1000
MNI-8-2	M4	0.8	8.7	1.6	5.2	4.4	RMS-01	1000
MNI-8-4	M4	1.6	8.7	1.6	5.2	4.4	RMS-01	1000
MNI-8-6	M4	2.4	8.7	1.6	5.2	4.4	RMS-01	1000
MNI-8-8	M4	3.2	8.7	1.6	5.2	4.4	RMS-01	1000
MNI-8-12	M4	4.7	8.7	1.6	5.2	4.4	RMS-01	1000
MNI-8-16	M4	6.4	8.7	1.6	5.2	4.4	RMS-01	1000
MNI-8-24	M4	9.5	8.7	1.6	5.2	4.4	RMS-48	1000
MNI-8-32	M4	12.7	8.7	1.6	5.2	4.4	RMS-01	1000
MNI-10-2	M5	0.8	10.1	1.6	6.6	5.1	RMS-01	1000
MNI-10-4	M5	1.6	10.1	1.6	6.6	5.1	RMS-01	1000
MNI-10-6	M5	2.4	10.1	1.6	6.6	5.1	RMS-01	1000
MNI-10-8	M5	3.2	10.1	1.6	6.6	5.1	RMS-01	1000
MNI-10-12	M5	4.7	10.1	1.6	6.6	5.1	RMS-01	1000
MNI-10-16	M5	6.4	10.1	1.6	6.6	5.1	RMS-01	1000
MNI-10-24	M5	9.5	10.1	1.6	6.6	5.1	RMS-01	1000
MNI-10-32	M5	12.7	10.1	1.6	6.6	5.1	RMS-48	1000
MNI1/4-2	M6	0.8	13	1.7	7.9	6.6	RMS-01	1000
MNI1/4-4	M6	1.6	13	1.7	7.9	6.6	RMS-01	1000
MNI1/4-6	M6	2.4	13	1.7	7.9	6.6	RMS-01	1000
MNI1/4-12	M6	4.7	13	1.7	7.9	6.6	RMS-01	1000
MNI1/4-16	M6	6.4	13	1.7	7.9	6.6	RMS-01	1000
MNI1/4-24	M6	9.5	13	1.7	7.9	6.6	RMS-01	1000
MNI1/4-32	M6	12.7	13	1.7	7.9	6.6	RMS-01	1000
MNI5/16-6	M8	2.4	15.7	1.6	9.1	8.1	RMS-01	1000
MNI5/16-12	M8	4.7	15.7	1.6	9.1	8.1	RMS-01	1000
MNI5/16-16	M8	6.4	15.7	1.6	9.1	8.1	RMS-01	1000

## Screw Insulator High Temperature

MNI-HT

Black



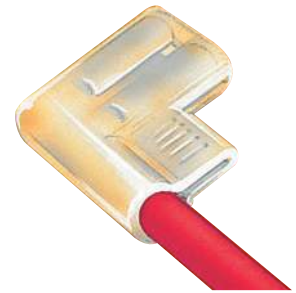
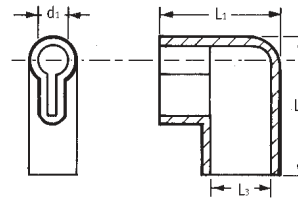
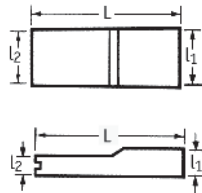
Part Number	Screw Size	Dimensions (mm)					Material	Std Pack Qty
		"L"	"A"	"B"	"C"	"D"		
MNI-HT-M2-1	M2	1.1	8	1	4.8	2.6	Nylon 6, 25% Glass Filled, RMS-173	1000
MNI-HT-M2-2	M2	1.3	6	1	3.5	2.6	Nylon 6, 25% Glass Filled, RMS-173	1000
MNI-HT-M2-3	M2	1.6	8	2.6	4.5	2.6	Nylon 6, 25% Glass Filled, RMS-173	1000
MNI-HT-M2-4	M2	4	7	2	3.5	2.6	Nylon 6, 25% Glass Filled, RMS-173	1000
MNI-HT-M2.5-1	M2.5	0.6	5.9	2	3.5	3	Nylon 6, 25% Glass Filled, RMS-173	1000
MNI-HT-M2.5-2	M2.5	1.2	5.9	1.3	3.5	3	Nylon 6, 25% Glass Filled, RMS-173	1000
MNI-HT-M2.5-3	M2.5	1.5	8	3	3.6	3	Nylon 6, 25% Glass Filled, RMS-173	1000
MNI-HT-M2.5-4	M2.5	2.5	5.5	1	3.5	3	Nylon 6, 25% Glass Filled, RMS-173	1000
MNI-HT-M2.5-5	M2.5	2.5	6.5	2	3.6	3	Nylon 6, 25% Glass Filled, RMS-173	1000
MNI-HT-4-2	M3	0.8	7.1	1.2	3.7	3	40% Glass Filled Polyphenylene Sulfide, RMS-50	1000
MNI-HT-4-220*	M3	0.8	5.5	1	3.4	2.9	40% Glass Filled Polyphenylene Sulfide, RMS-50	1000
MNI-HT-M3-1	M3	2	9	2	6.3	3.5	Nylon 6, 25% Glass Filled, RMS-173	1000
MNI-HT-M3-2	M3	2.2	7	0.8	5.1	3.5	Nylon 6, 25% Glass Filled, RMS-173	1000
MNI-HT-M3-3	M3	7.4	7	0.8	4.9	3.5	Nylon 6, 25% Glass Filled, RMS-173	1000
MNI-HT-M4-1	M4	1.7	15.7	4	9.7	4.5	Nylon 6, 25% Glass Filled, RMS-173	1000
MNI-HT-M4-2	M4	3.2	8	0.8	6	4.5	Nylon 6, 25% Glass Filled, RMS-173	1000
MNI-HT-M4-3	M4	6.5	15.7	5	9.7	4.5	Nylon 6, 25% Glass Filled, RMS-173	1000
MNI-HT-M4-4	M4	8	15.7	5	9.7	4.5	Nylon 6, 25% Glass Filled, RMS-173	1000
MNI-HT-10-6	M4.5	2.4	10.1	1.6	6.6	5.1	40% Glass Filled Polyphenylene Sulfide, RMS-50	1000
MNI-HT-M6-1	M6	1.3	13	0.6	9.6	6.5	Nylon 6, 25% Glass Filled, RMS-173	1000
MNI-HT-M6-2	M6	3.5	25	4.5	13	6.5	Nylon 6, 25% Glass Filled, RMS-173	1000
MNI-HT-M6-3	M6	6	25	4.5	13	6.5	Nylon 6, 25% Glass Filled, RMS-173	1000
MNI-HT-M6-4	M6	8.5	25	4.5	13	6.5	Nylon 6, 25% Glass Filled, RMS-173	1000

### Terminal Sleeves - Post-Fit

SR 1771

PVC

- Protect wiring terminal
- Widely used in automotive and electrical industries



#### Post-Fit Straight Type, Clear PVC

Part Number	Terminal Size (mm)	Dimensions (mm)			Std Pack Qty
		l <sub>1</sub>	L	l <sub>2</sub>	
10077	6.3	7.8 x 3.2	26.5	6.0 x 1.5	10000

#### Post-Fit Right-Angled Type, Clear PVC

- This design can be fitted after the terminal is crimped to the wire

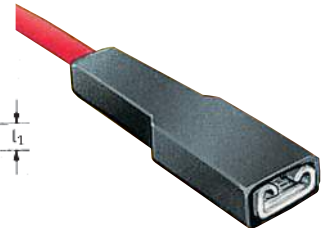
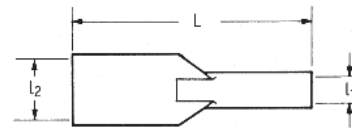
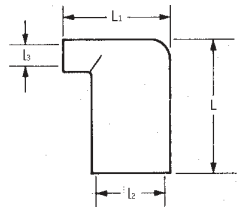
Part Number	Terminal Size (mm)	Dimensions (mm)				Std Pack Qty
		d <sub>1</sub>	L <sub>1</sub>	L <sub>3</sub>	L <sub>2</sub>	
10100	4.8	4.0	15.0	6.0 x 3.0	15.0	20000
10145	6.3	4.0	16.8	8.5 x 4.0	18.5	10000

### Terminal Sleeves - Standard

SR 1771

PVC

- Protect wiring terminal
- Widely used in automotive and electrical industries



#### Standard Right-Angled Type, Clear PVC

Part Number	Terminal Size (mm)	Dimensions (mm)				Std Pack Qty
		l <sub>3</sub>	L	l <sub>2</sub>	l <sub>1</sub>	
10262	4.8	4.6 x 2.8	4.6 x 2.8	12.3	6.2 x 2.1	20000
10622	6.3	3.0	16.0	8.3 x 3.1	14.4	20000
10234	9.5	4.3	23.7	12.0 x 4.8	24.0	10000
10623	6.3	4.5	17.0	8.8 x 3.0	14.3	20000

#### Standard Straight Type, Black or Clear PVC

Part Number	Terminal Size (mm)	Dimensions (mm)				Std Pack Qty
		Clear PVC	Black PVC	l <sub>1</sub>	L	
11603	19774	2.8	2.5	19.5	3.7 x 2.5	20000
10973	-	9.5	3.3	32.9	11.0 x 3.2	10000
10631	-	9.5	4.8	33.4	10.3 x 4.0	5000
10490	-	4.8	2.8	25.4	7.4 x 2.0	20000
11049	-	4.8	3.0	19.5	4.8 x 1.7	20000
10229	-	4.8	3.0	29.3	7.5 x 2.0	20000
10789	-	6.3	4.0 x 2.5	26.4	7.7 x 2.3	20000
50760	-	6.3	4.3 x 2.0	26.0	7.5 x 2.0	20000
10626	-	6.3	5.7 x 2.3	27.0	7.6 x 2.3	10000

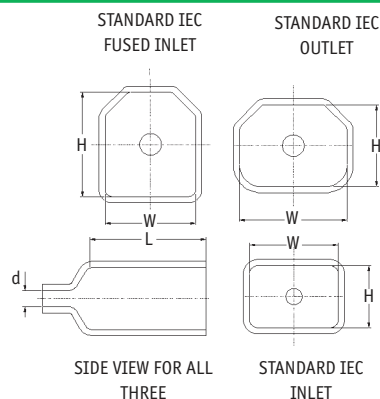
### IEC Standard Terminal Insulation Sleeves

SR 1773

Black Flexible PVC

- Protect and insulate rear connection receptacles of IEC standard inlets and outlets
- Flash tested to 3K Volts AC (EN 60950)
- 'V' rated in accordance with UL94

Part Number	Description	Dimensions (mm)				Std Pack Qty
		H	W	L	d	
TSWXA-01	Fushed Inlet	31.5	26.5	45.0	6.4	400
TSWXA-03	Standard Inlet	18.2	26.1	33.0	4.8	400



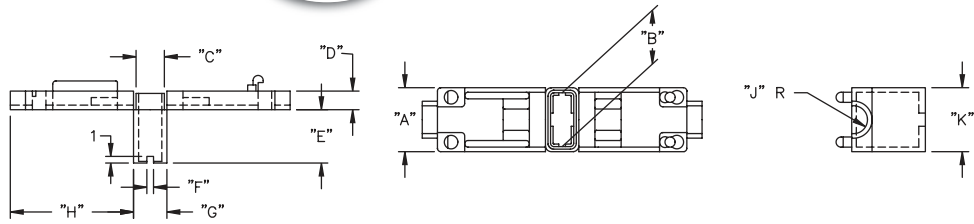


# INSULATORS

## One Touch Sleeve Insulator

05

Natural, Nylon 6, RMS-120



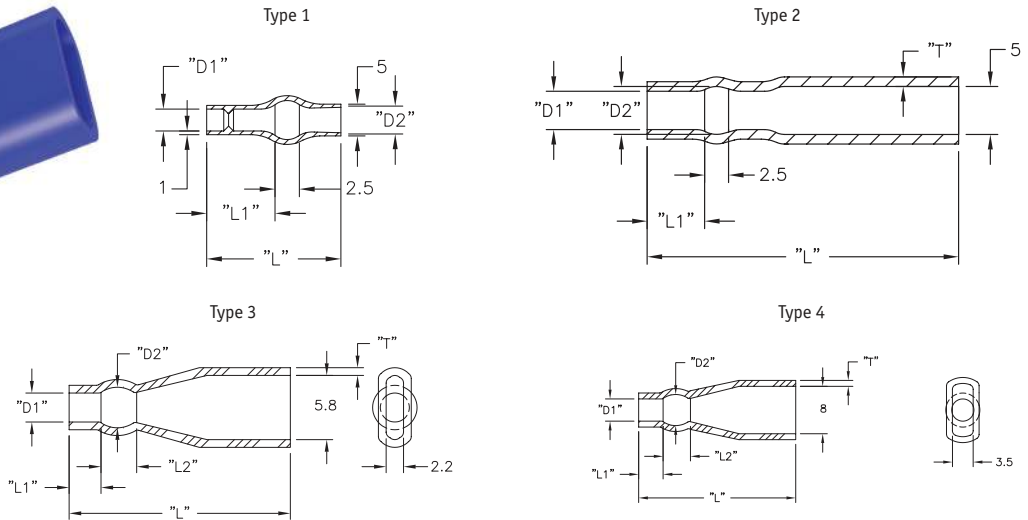
• UL #E55167

Part Number	Terminal Type	Wire Ø	"A"	"B"	"C"	"D"	"E"	"F"	"G"	"H"	"J"	"K"	Std Pack Qty
0S-187	Straight Type 187 Series	3.6	8.8	6.1	2.7	2.6	6.8	1	3.9	15.1	1.8	7.5	500
0S-250	Straight Type 250 Series	3.8	9.8	7.9	3.4	2.8	8	1	4.7	18.5	2.05	9.1	500

## Quick Fit Insulator

2xxxxx

Blue, Soft PVC, RMS-55



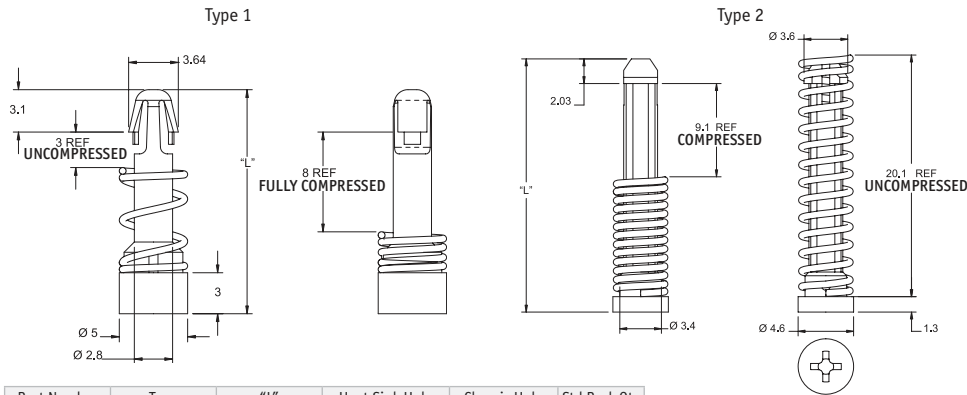
Part Number	Wire O.D. Range	Wire Gauge	"D1"	"D2"	"L1"	"L2"	"L"	"T"	Type	Std Pack Qty
224225	1.47-2.31	22-18	2.5	4.1	6.1	-	13	-	1	1000
224230	1.73-2.87	20-18	3	4.1	6.1	-	13	-	1	1000
215025	1.47-2.31	22-18	2.5	4.1	6.1	-	33	1	2	1000
215032	1.8-3.2	18-16	3.3	4.6	7.1	-	34	1	2	1000
235830	1.5 - 2.3	20-18	3	4	5	2.5	23	0.8	3	1000
235835	1.8 - 3.6	18-14	3.5	4.5	5	3	23	0.8	3	1000
238032	1.8-3.2	18-16	3.3	4.8	5.1	2.5	24.1	1	4	1000
238035	1.8-3.6	18-14	3.6	4.6	5.1	3	24.1	1	4	1000
238040	2.3-3.6	16-14	4.1	5.1	5.1	3	24.6	1	4	1000
238048	2.9-4.8	14-12	4.8	6.3	5.1	2.5	24.9	1	4	1000

### Heat Sink Spring Mount Rivet

HSR

Rivet Material: Natural Nylon 6/6, RMS-47

Spring Material: Steel, RMS-326 Chrome Plated RMS-355



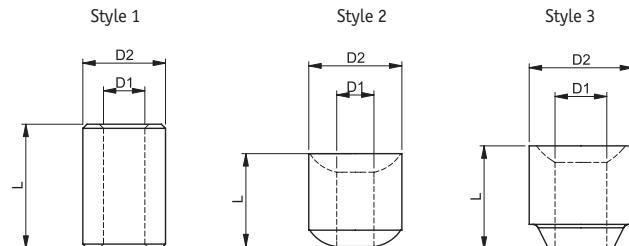
Part Number	Type	"L"	Heat Sink Hole	Chassis Hole	Std Pack Qty
HSR-1	1	16.4	3.18	3	1000
HSR-2	2	20.9	3.05	3.1	1000

### Ceramic Beads

CER

Natural Steatite C220 Ceramic, RMS-170

- Max. operating temperature: 1000°C
- Parts are stackable as seen in application photo



Part Number	"D1"	"D2"	"L"	Style	Std Pack Qty
CER-1	2	4	6	1	1000
CER-2	1.6	4.5	8	1	1000
CER-3	1.6	4.5	10	1	1000
CER-4	1	3	3	2	1000
CER-5	1.8	4.5	4.5	2	1000
CER-6	1	3	5	2	1000
CER-7	2.5	5	5	3	1000

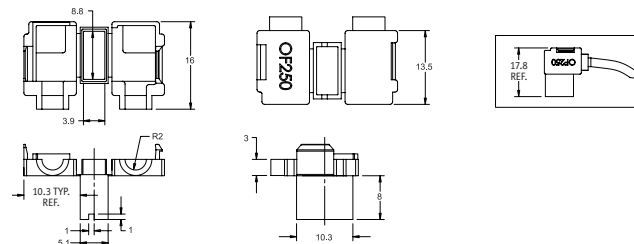
### One Touch Sleeve Insulator

OF

Natural Nylon 6, RMS-120



UL #E55167



Part Number	Terminal Type	Wire Ø	Std Pack Qty
OF-250	Flag Type 250 Series	3.9	500

SPLIT PACKS AVAILABLE

email | sales@mossexpress.co.uk web | www.mossexpress.co.uk

165