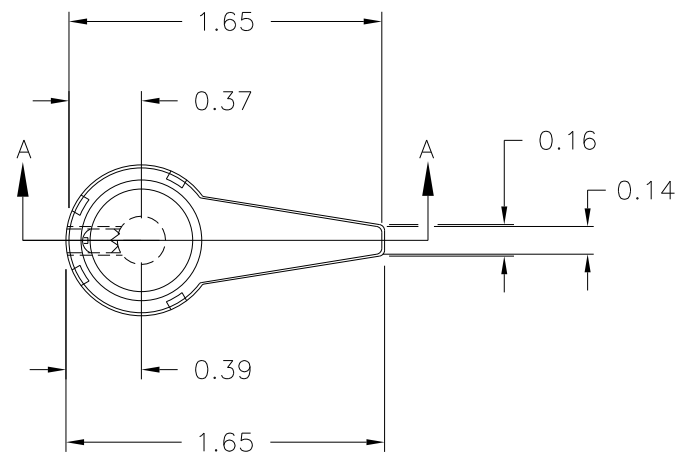


PART NAME: KNOB SCALE: 1:1 DATE: 1/21/71 DR. BY NH

DAVIES MOLDING COMPANY
CAROL STREAM, ILLINOIS 60188

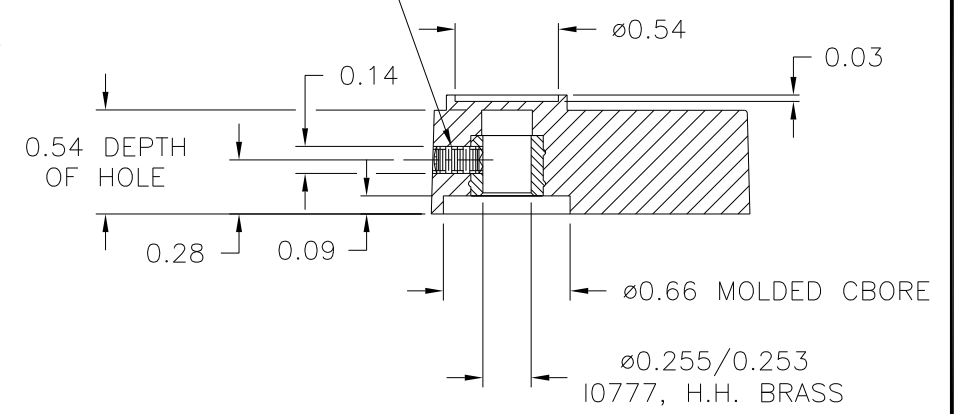
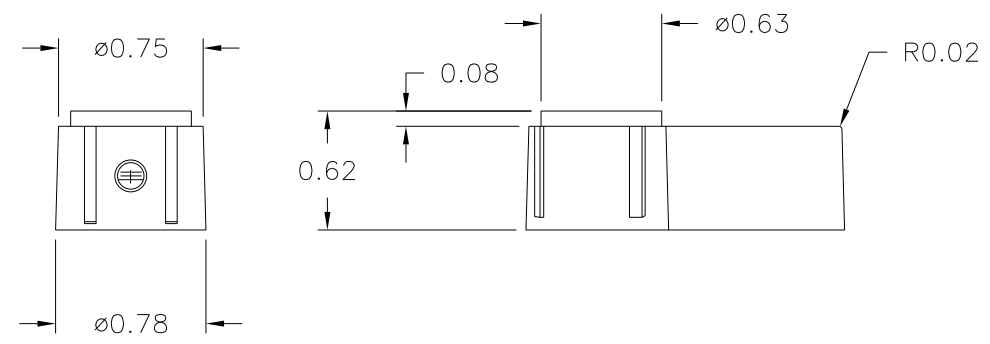
P/N 1214-A	
BASE PART	1214-02
INSERT	I0777
SET SCREW	I0357

THIS DRAWING IS THE PROPERTY OF DAVIES MOLDING COMPANY, IS SUBMITTED SOLELY AS A DESIGN OR ENGINEERING PROJECT. WE ACCEPT NO RESPONSIBILITY WHATSOEVER FOR THE PRACTICAL APPLICATION OF THE PIECES MADE TO THIS DESIGN.



USE #28 DRILL ($\phi 0.140/0.136$)
8-32 TAP, 8-32 THREAD X 1/4
LG. SLOTTED TYPE SET SCREW
I0357 (1) REQ'D

SECTION A-A



MATERIAL: G.P. PHENOLIC (B11)
COLOR: BLACK

TOLERANCES: UNLESS OTHERWISE SPECIFIED	DO NOT SCALE DRAWING			
DECIMALS: X.XXX ± .005 X.XX ± .015	MM: X.XX ± 0.15MM X.X ± 0.4MM	-	UPDATED/HAD TOOLBOX	JAM 5/16/00
FRACTIONS ± 1/64	ANG. ± 1°	-	CAD/REDRAWN	HD 10/26/93
CHANGES				