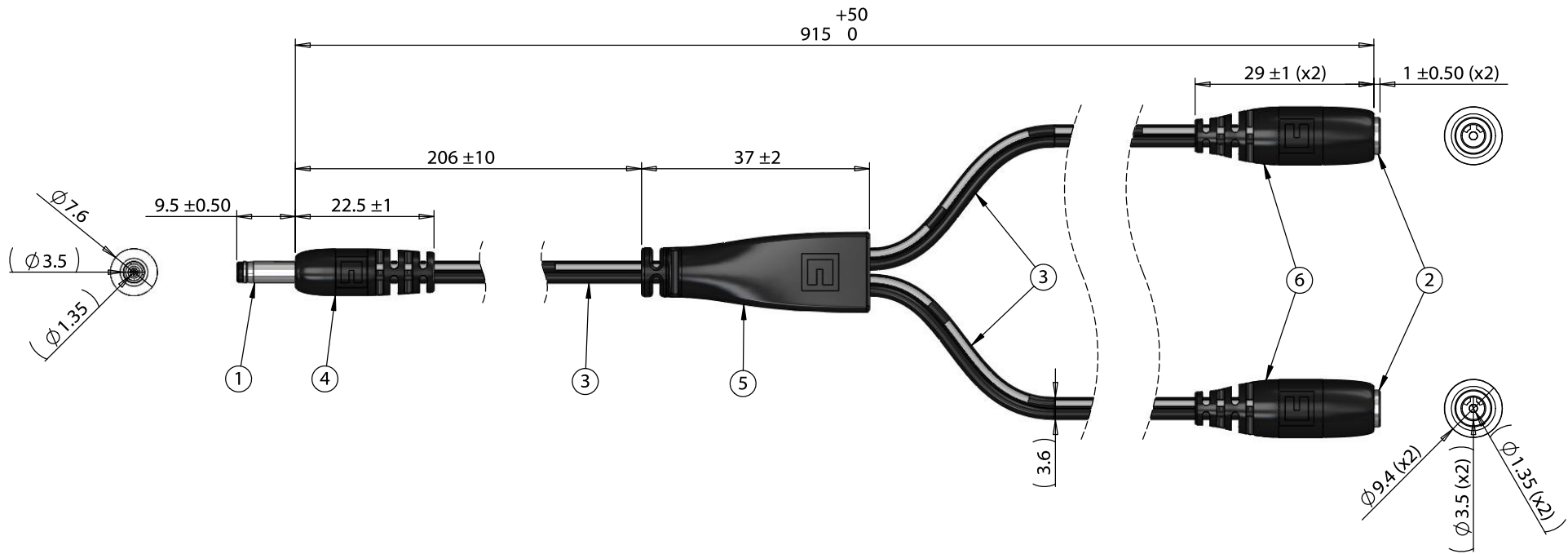


| ITEM NO. | PART NUMBER | DESCRIPTION | QTY. | COMPONENT NOTES |
|----------|-------------|--|------|-----------------|
| 1 | 50-00056 | Connector, dc plug, 3.5x1.35xL20mm, molding style, spring contacts | 1 | |
| 2 | 50-00057 | Connector, dc jack, 3.5x1.35xL16.5 mm, molding style | 2 | |
| 3 | 30-00003 | Wire, 2C BC, 24 AWG, UL2468, 300V, 80C, 3.6 mm, VW-1, PVC, 76A | 3 | |
| 4 | 24-00002 | Overmold, PVC | 1 | black |
| 5 | 24-00195 | Overmold, splitter, Ø 8.0 mm by 10.0x13.0 mm | 1 | black |
| 6 | 24-00005 | Overmold, PVC | 2 | black |



| Wiring Diagram | | |
|----------------|-------------------|----------|
| 50-00056 | wire color | 50-00057 |
| center | black with stripe | center |
| sleeve | black | sleeve |

Notes:
Functionally equivalent components may be substituted

| | | | | | |
|-----------|-----------|-----------------|--|--|---|
| Revision: | Date: | Description: | Prepared: | Notes: | <h1>TENSILITY</h1> |
| A | 4/13/2018 | Initial release | JP <small>Digitally signed by JP Date: 2018.04.13 16:20:47 -07'00'</small> | | |
| | | | Verified: | Function test: no open, no short circuit, no intermittent | tel 1.541.323.3228 800 877.670.7118 fax 1.541.323.4202 web tensility.com |
| | | | Dimensions are in millimeters. Tolerances: X: ± 0.5 mm X.X: ± 0.3 mm X.XX: ± 0.05 mm | Description: | Size: Part number: A 10-02788 |
| | | | | Cable, 915 mm, 3.5x1.35x9.5 mm 50-00056 dc plug to y-split to 2x 3.5x1.35mm 50-00057 dc jack, 24 AWG | Scale: 1:1 Sheet 1 of 1 |

5

4

3

2

1