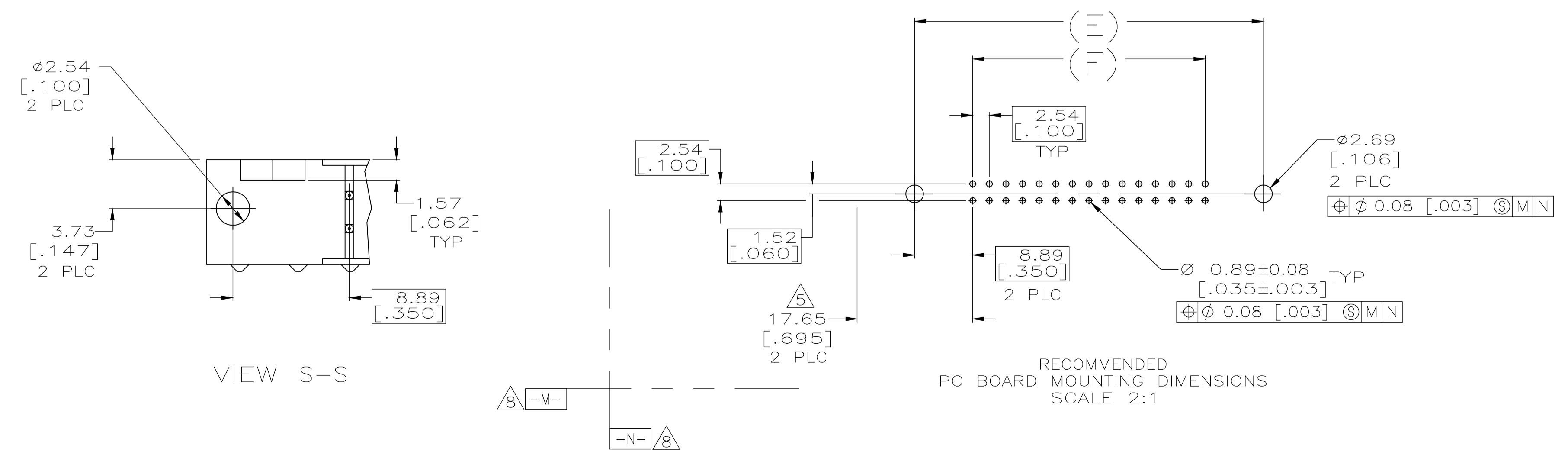
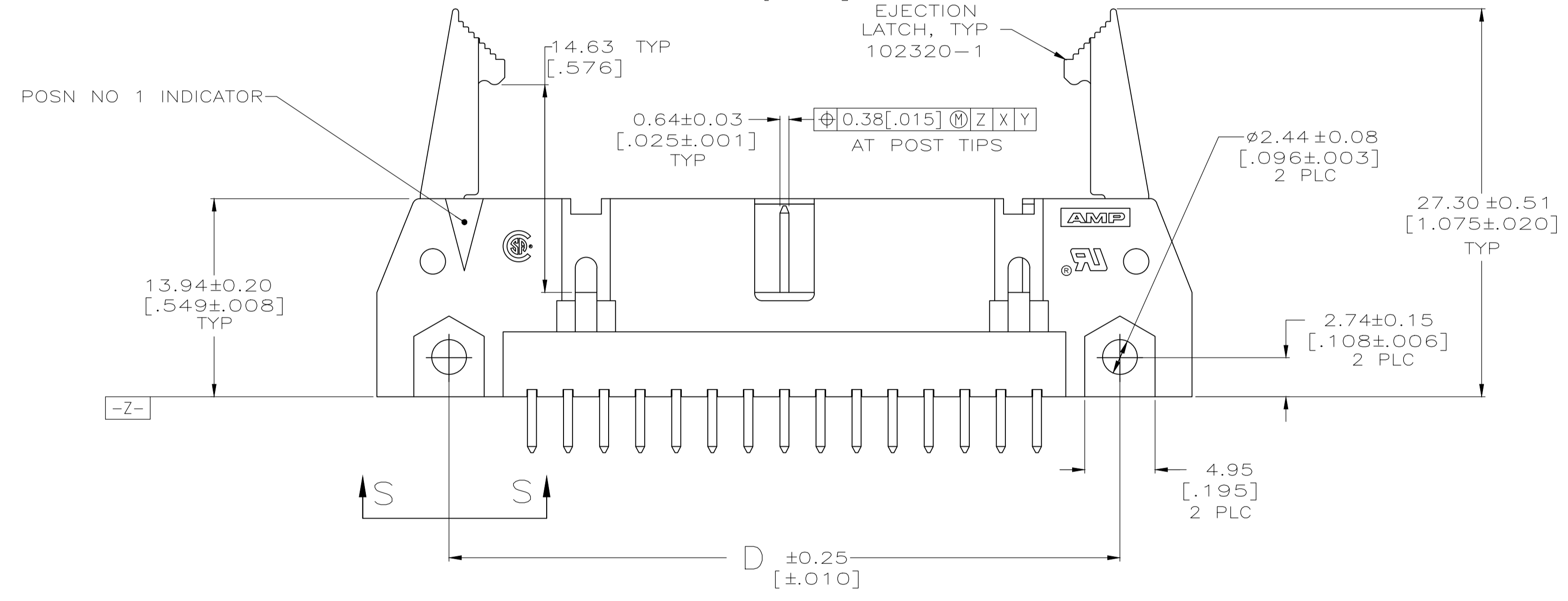
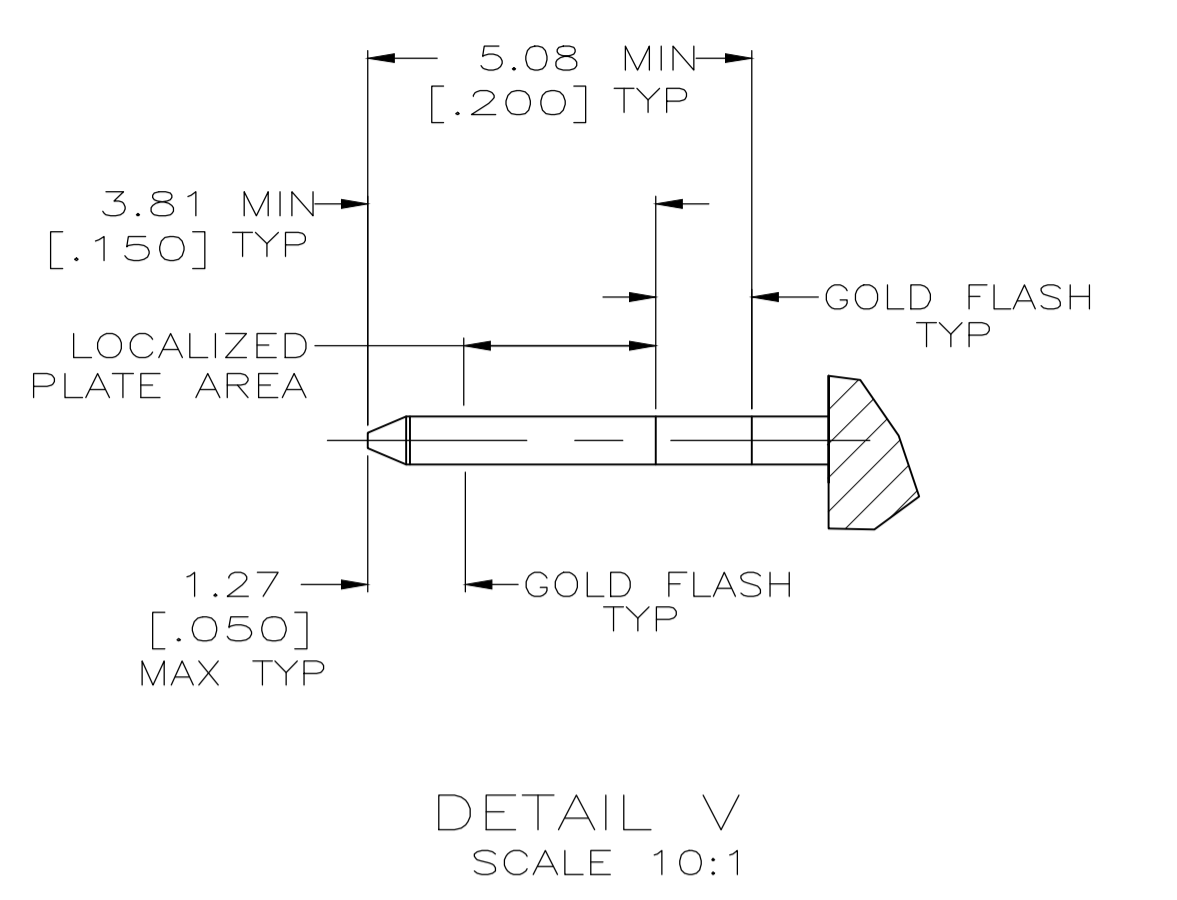
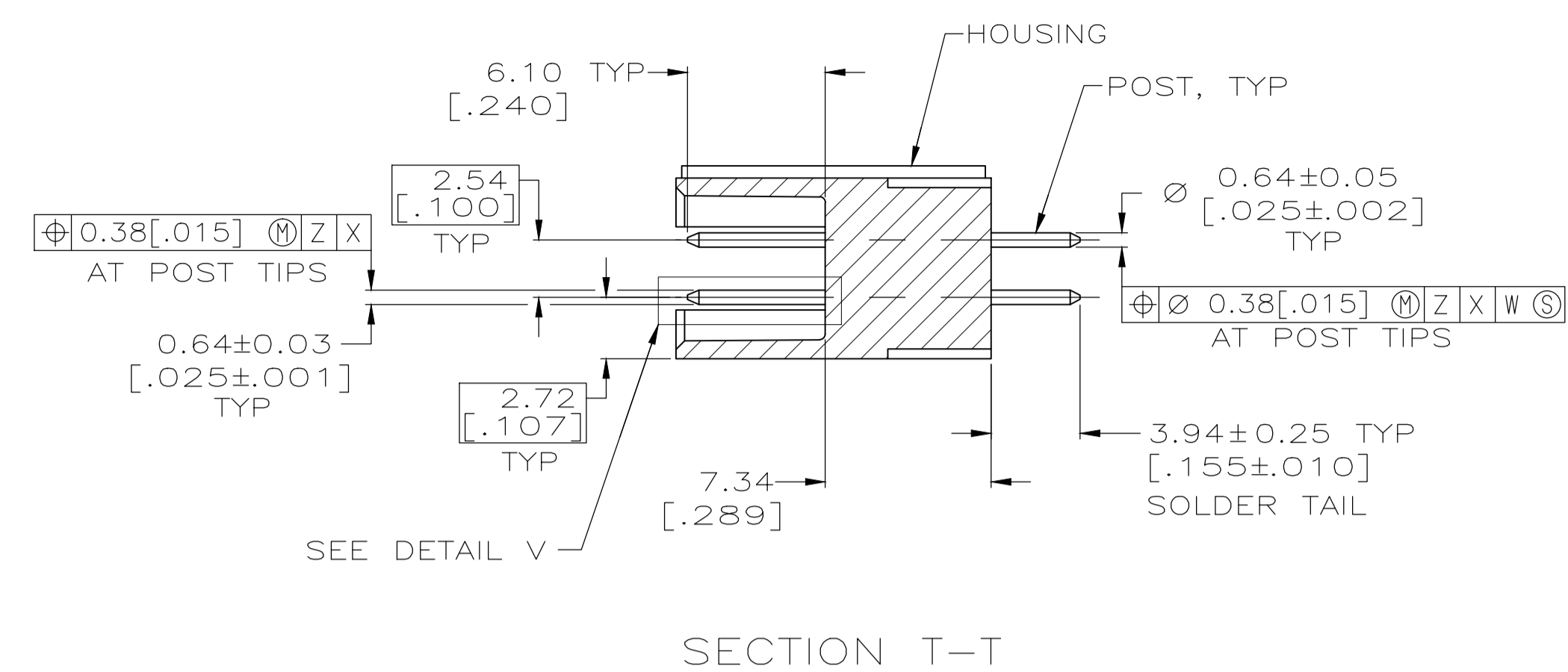
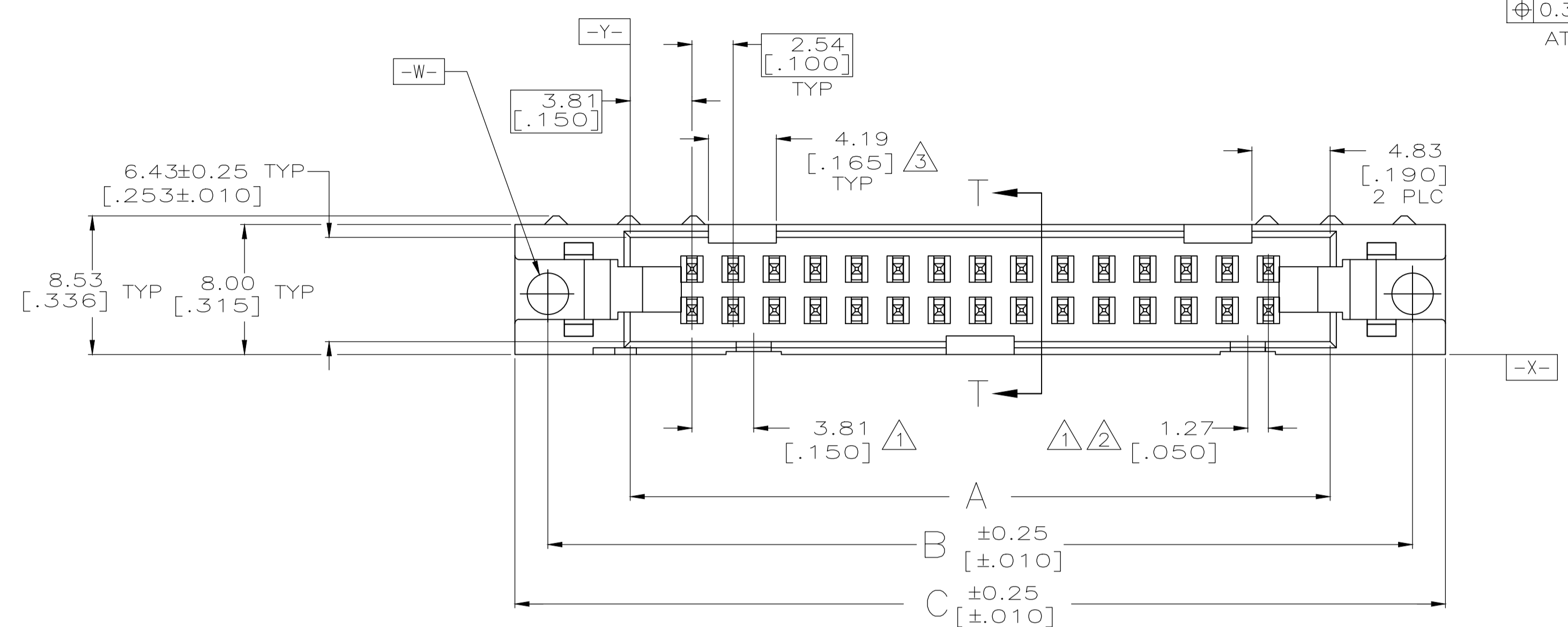


REVISIONS					
P	LTR	DESCRIPTION	DATE	DWN	APVD
E2	REVISED PER	ECR-17-004961	06APR2017	IT	WH

WITH LONG EJECT LATCH: 102320-1/-3

EJECTION LATCHES OMITTED IN THIS VIEW FOR CLARITY



	BLUE	53.34 [2.100]	71.12 [2.800]	65.02 [2.560]	75.18 [2.960]	71.12 [2.800]	60.96 [2.400]	44	3-5102321-3
OBSOLETE	BLUE	78.74 [3.100]	96.52 [3.800]	90.42 [3.560]	100.58 [3.960]	96.52 [3.800]	86.36 [3.400]	64	3-5102321-2
	BLUE	73.66 [2.900]	91.44 [3.600]	85.34 [3.360]	95.50 [3.760]	91.44 [3.600]	81.28 [3.200]	60	3-5102321-1
	BLUE	60.96 [2.400]	78.74 [3.100]	72.64 [2.860]	82.80 [3.260]	78.74 [3.100]	68.58 [2.700]	50	3-5102321-0
OBSOLETE	BLUE	48.26 [1.900]	66.04 [2.600]	59.94 [2.360]	70.10 [2.760]	66.04 [2.600]	55.88 [2.200]	40	2-5102321-9
OBSOLETE	BLUE	40.64 [1.600]	58.42 [2.300]	52.32 [2.060]	62.48 [2.460]	58.42 [2.300]	48.26 [1.900]	34	2-5102321-8
	BLUE	35.56 [1.400]	53.34 [2.100]	47.24 [1.860]	57.40 [2.260]	53.34 [2.100]	43.18 [1.700]	30	2-5102321-7
	BLUE	30.48 [1.200]	48.26 [1.900]	42.16 [1.660]	52.32 [2.060]	48.26 [1.900]	38.10 [1.500]	26	2-5102321-6
	BLUE	22.86 [.900]	40.64 [1.600]	34.54 [1.360]	44.70 [1.760]	40.64 [1.600]	30.48 [1.200]	20	2-5102321-4
	BLUE	17.78 [.700]	35.56 [1.400]	29.46 [1.160]	39.62 [1.560]	35.56 [1.400]	25.40 [1.000]	16	2-5102321-3
	BLUE	15.24 [.600]	33.02 [1.300]	26.92 [1.060]	37.08 [1.460]	33.02 [1.300]	22.86 [.900]	14	2-5102321-2
	BLUE	10.16 [.400]	27.94 [1.100]	21.84 [.860]	32.00 [1.260]	27.94 [1.100]	17.78 [.700]	10	2-5102321-1
	BLACK	78.74 [3.100]	96.52 [3.800]	90.42 [3.560]	100.58 [3.960]	96.52 [3.800]	86.36 [3.400]	64	1-5102321-2
	BLACK	73.66 [2.900]	91.44 [3.600]	85.34 [3.360]	95.50 [3.760]	91.44 [3.600]	81.28 [3.200]	60	1-5102321-1
	BLACK	60.96 [2.400]	78.74 [3.100]	72.64 [2.860]	82.80 [3.260]	78.74 [3.100]	68.58 [2.700]	50	1-5102321-0
	BLACK	48.26 [1.900]	66.04 [2.600]	59.94 [2.360]	70.10 [2.760]	66.04 [2.600]	55.88 [2.200]	40	5102321-9
	BLACK	40.64 [1.600]	58.42 [2.300]	52.32 [2.060]	62.48 [2.460]	58.42 [2.300]	48.26 [1.900]	34	5102321-8
	BLACK	35.56 [1.400]	53.34 [2.100]	47.24 [1.860]	57.40 [2.260]	53.34 [2.100]	43.18 [1.700]	30	5102321-7
	BLACK	30.48 [1.200]	48.26 [1.900]	42.16 [1.660]	52.32 [2.060]	48.26 [1.900]	38.10 [1.500]	26	5102321-6
	BLACK	27.94 [1.100]	45.72 [1.800]	39.62 [1.560]	49.78 [1.960]	45.72 [1.800]	35.56 [1.400]	24	5102321-5
	BLACK	22.86 [.900]	40.64 [1.600]	34.54 [1.360]	44.70 [1.760]	40.64 [1.600]	30.48 [1.200]	20	5102321-4
	BLACK	17.78 [.700]	35.56 [1.400]	29.46 [1.160]	39.62 [1.560]	35.56 [1.400]	25.40 [1.000]	16	5102321-3
	BLACK	15.24 [.600]	33.02 [1.300]	26.92 [1.060]	37.08 [1.460]	33.02 [1.300]	22.86 [.900]	14	5102321-2
	BLACK	10.16 [.400]	27.94 [1.100]	21.84 [.860]	32.00 [1.260]	27.94 [1.100]	17.78 [.700]	10	5102321-1
COLOR	F	E	D	C	B	A	NO OF POSN		PART NUMBER

THIS DRAWING IS A CONTROLLED DOCUMENT.

DIN G. ATTADIA - 01-07-05
 CJK S. BOLASH - 01-07-05
 APVD M. WALMSLEY - 01-07-05

TE Connectivity

NAME: HEADER ASSY, UNIVERSAL, AMP-LATCH

PRODUCT SPEC: 108-40018

APPLICATION SPEC: -

SIZE: A1

WEIGHT: 0.000000

CUSTOMER DRAWING

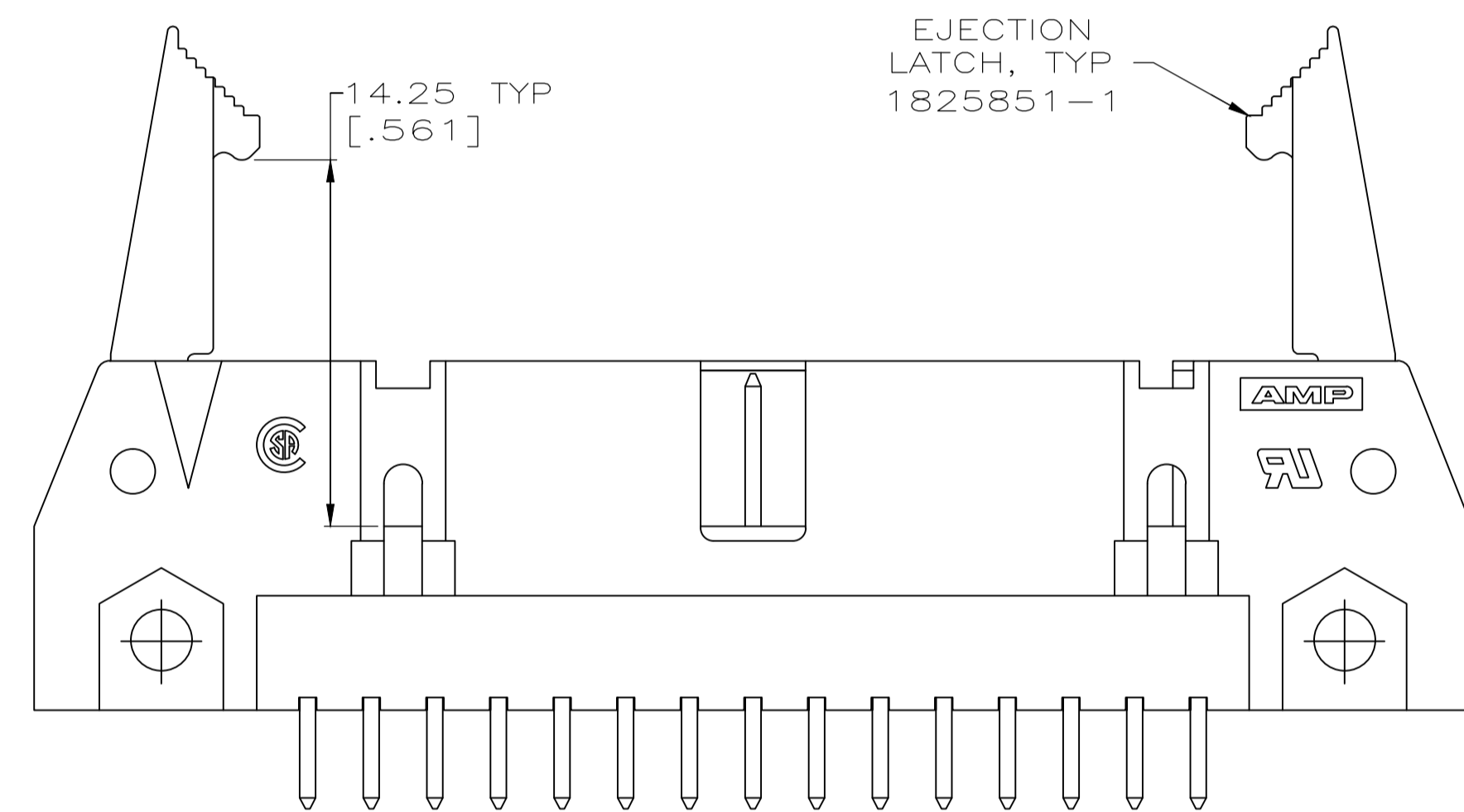
SCALE: 4:1

SHEET: 1 of 2

REV: E2

REVISIONS					
P	LTR	DESCRIPTION	DATE	DMN	APVD
-	-	SEE SHEET 1	-	-	-

WITH SPECIAL LONG EJECT LATCH: 1825851-1 \triangle



EXCEPTING LATCH LOCK HEIGHT
ALL OTHER DIMENSIONS ARE SAME AS PAGE 1

- \triangle 1 COORDINATE DIMENSION APPLIES FROM BASIC LOCATION.
- \triangle 2 10 AND 14 POSITION SIZES CONTAIN ONLY ONE SLOT FOR SNAP-IN POLARIZER (MILITARY POLARIZATION) LOCATED AS SHOWN.
- \triangle 3 10 POSITION SIZE CONTAINS ONLY ONE SLOT FOR DUAL POLARIZATION, LOCATED AS SHOWN.
- 4. RECOMMENDED PRINTED CIRCUIT BOARD THICKNESS IS 3.18 [.125].
- \triangle 5 DISTANCE REQUIRED BY EJECTION LATCHES IN THE OPEN POSITION.
- \triangle 6 HOUSING & LATCHES: GLASS FILLED NYLON OR POLYESTER, UL94V-0 RATED, COLOR: SEE TABLE. POSTS: PH BRZ OR BRASS
- \triangle 7 POSTS: GOLD FLASH OVER PALLADIUM-NICKEL PLATE, 0.76 μ m [.000030] MIN TOTAL ON THE LOCALIZED PLATE AREA, 2.54 μ m [.000100] MIN TIN PLATE ON THE SOLDER-TAIL, 1.27 μ m [.000050] MIN NICKEL UNDERPLATE ON THE ENTIRE POST.
-OR-
0.76 μ m [.000030] MIN GOLD PLATE ON THE LOCALIZED PLATE AREA, 2.54 μ m [.000100] MIN TIN PLATE ON THE SOLDER-TAIL, 1.27 μ m [.000050] MIN NICKEL UNDERPLATE ON THE ENTIRE POST.
- \triangle 8 DATUMS -M- & -N- TO BE ESTABLISHED BY CUSTOMER.
- \triangle 9 LONG EJECT LATCHES (PART NO. 102320-1) WILL MATE WITH AMP-LATCH RECEPTACLES WITH STRAIN RELIEF & FEMALE SOCKET CONNECTORS WITH STRAIN RELIEF
- \triangle 10 SPECIAL LONG EJECT LATCHES (PART NO. 1825851-1) WILL MATE WITH AMPMODU MOD IV HOUSINGS WITH CENTER POLARIZATION KEY SIMILAR TO 102387 SERIES PART NUMBERS.

BLACK	60.96 [2.400]	78.74 [3.100]	72.64 [2.860]	82.80 [3.260]	78.74 [3.100]	68.58 [2.700]	50	8-5102321-0
BLACK	40.64 [1.600]	58.42 [2.300]	52.32 [2.060]	62.48 [2.460]	58.42 [2.300]	48.26 [1.900]	34	9-5102321-8
BLACK	30.48 [1.200]	48.26 [1.900]	42.16 [1.660]	52.32 [2.060]	48.26 [1.900]	38.10 [1.500]	26	9-5102321-6
BLACK	22.86 [.900]	40.64 [1.600]	34.54 [1.360]	44.70 [1.760]	40.64 [1.600]	30.48 [1.200]	20	9-5102321-4
BLACK	17.78 [.700]	35.56 [1.400]	29.46 [1.160]	39.62 [1.560]	35.56 [1.400]	25.40 [1.000]	16	9-5102321-3
BLACK	15.24 [.600]	33.02 [1.300]	26.92 [1.060]	37.08 [1.460]	33.02 [1.300]	22.86 [.900]	14	9-5102321-2
BLACK	10.16 [.400]	27.94 [1.100]	21.84 [.860]	32.00 [1.260]	27.94 [1.100]	17.78 [.700]	10	9-5102321-1
COLOR	F	E	D	C	B	A	NO OF POSN	PART NUMBER

THIS DRAWING IS A CONTROLLED DOCUMENT.		DIN G. ATTADIA - 01-07-05		STE TE Connectivity	
DIMENSIONS: INCHES		TOLERANCES UNLESS OTHERWISE SPECIFIED:		NAME: M. WALMSLEY	
0 PLC ± -		1 PLC ± -		PRODUCT SPEC: 108-40018	
2 PLC ± 0.13[.005]		3 PLC ± -		APPLICATION SPEC: -	
4 PLC ± -		ANGLES ± -		SIZE: A1	
MATERIAL: FINISH:		WEIGHT: 0.000000		DRAWING NO: 00779	
		CUSTOMER DRAWING		SCALE: 4:1	
		SHEET 2 OF 2		REV E2	